

Product Overview

NUD3124: Relay Driver, 24 V

For complete documentation, see the data sheet.

This micro-integrated device provides a one component solution to switch inductive loads such as relays, solenoids, and small dc motors without the need for a free-wheeling diode. It accepts logic level inputs, thus allowing it to be driven by a large variety of devices including logic gates, inverters, and microcontrollers.

Features

- Provides Robust Interface between D.C. Relay Coils and Sensitive Logic
- Capable of Driving Relay Coils Rated up to 150 mA at 12 Volts
- Replaces 3 or 4 Discrete Components for Lower Cost
- Internal Zener Eliminates Need for Free-Wheeling Diode
- Meets Load Dump and other Automotive Specs

Applications

- Drives Window, Latch, Door, Antenna Relays

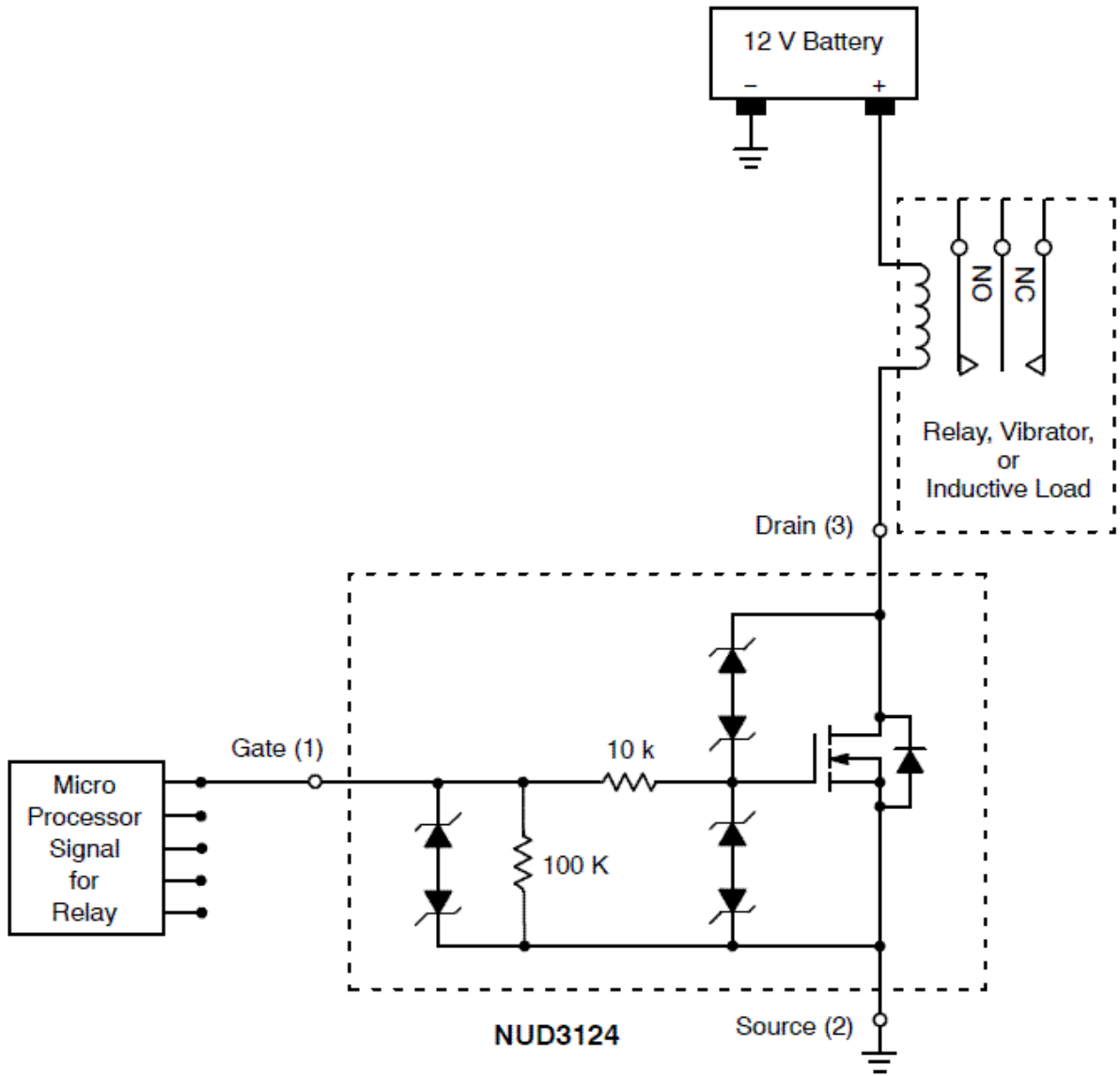
End Products

- Automobiles
- Industrial Equipment

Part Electrical Specifications

Product	Pricing (\$/Unit)	Compliance	Status	Number of Drivers	V _{CC} Max (V)	V _{(BR)GSS} Max (V)	V _{(BR)DSS} Max (V)	I _D Max (A)	r _{DS(on)} Max (Ω)	T _J Max (°C)	Package Type
NUD3124DMT1G	0.1268	Pb-free	Active	2	28	12	28	0.15	0.8	150	SC-74
		Halide free									
NUD3124LT1G	0.1437	Pb-free	Active	1	28	12	28	0.15	0.8	150	SOT-23-3
		Halide free									
SZNUD3124DMT1G	0.1467	AEC Qualified	Active	2	28	12	28	0.15	0.8	150	SC-74
		PPAP Capable									
		Pb-free									
		Halide free									
SZNUD3124LT1G	0.176	AEC Qualified	Active	1	28	12	28	0.15	0.8	150	SOT-23-3
		PPAP Capable									
		Pb-free									
		Halide free									

Application Diagram



For more information please contact your local sales support at www.onsemi.com.

Created on: 8/6/2020