

## Product Overview

### NCV8664C: LDO Regulator, 150 mA, Low Dropout, Low Iq

For complete documentation, see the data sheet.

The NCV8664C is a precision 3.3 V and 5.0 V fixed output, low dropout integrated voltage regulator with an output current capability of 150 mA. Careful management of light load current consumption, combined with a low leakage process, achieve a typical quiescent current of 22  $\mu$ A. The output voltage is accurate within  $\pm 2.0$  %, and maximum dropout voltage is 600 mV at full rated load current. It is internally protected against input supply reversal, output overcurrent faults, and excess die temperature. No external components are required to enable these features. NCV8664C is pin and functionally compatible with NCV4264, NCV4264-2, NCV4264-2C and could replace these parts when lower quiescent current is required.

#### Features

- Maximum 30 $\mu$ A Quiescent Current with 100 $\mu$ A Load
- Very Low Dropout 600 mV (max) at 150 mA Load Current
- Protections: -42 V Reverse Voltage Protection Short Circuit Protection Thermal Overload Protection
- 5.0 V and 3.3V Fixed Output Voltage with 2% Output Voltage Accuracy
- AEC-Q100 Grade 1 Qualified and PPAP Capable

#### Benefits

- Meets new car manufacturer Max Module Quiescent Current requirements (maximum 100 $\mu$ A).
- Can operate during cranking at low input voltage.
- No external components required to enable protections required within any automotive applications.

#### Applications

- Engine Control Module
- Body and Chassis
- Powertrain
- Infotainment, Radio

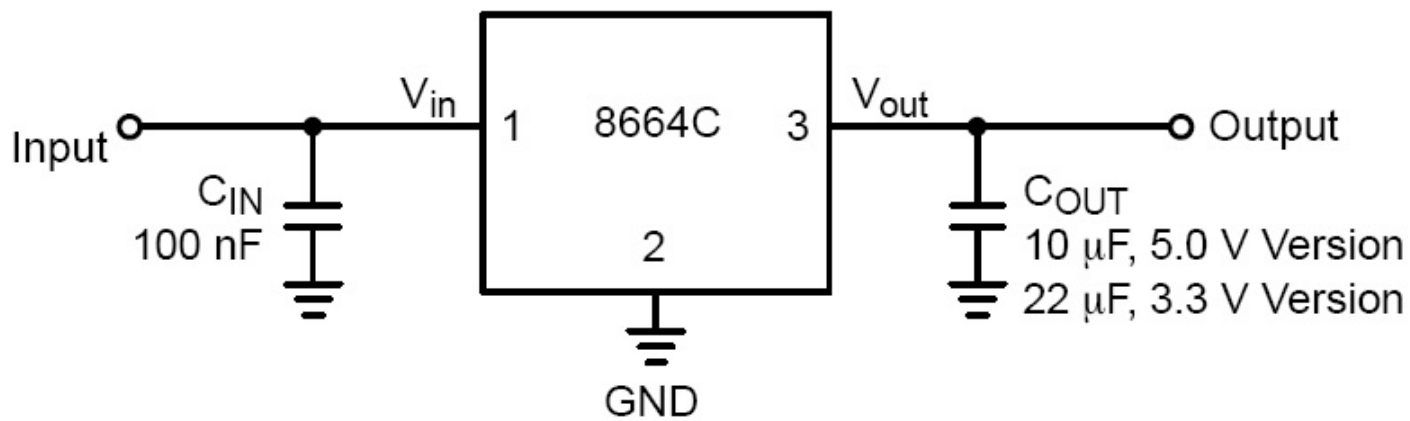
#### End Products

- Automotive

### Part Electrical Specifications

Product	Pricing (\$/Unit)	Compliance	Status	Output	Polarity	V <sub>O</sub> (V)	I <sub>Q</sub> Typ (A)	V <sub>I</sub> Min (V)	V <sub>I</sub> Max (V)	V <sub>DO</sub> Typ (V)	I <sub>g</sub> Typ (mA)	PSR R (dB)	Noise ( $\mu$ V <sub>rms</sub> )	Enable	Power Good	Application	Package Type
NCV8664CDT33RKG	0.418	AEC Qualified PPAP Capable Pb-free Halide free	Active	Single	Positive	3.3	0.15	4.5	45	0.27	0.022	67	-	No	No	Automotive	DPAK-3
NCV8664CDT50RKG	0.418	AEC Qualified PPAP Capable Pb-free Halide free	Active	Single	Positive	5	0.15	5.5	45	0.27	0.022	67	-	No	No	Automotive	DPAK-3
NCV8664CST33T3G	0.4425	AEC Qualified PPAP Capable Pb-free Halide free	Active	Single	Positive	3.3	0.15	4.5	45	0.27	0.022	67	-	No	No	Automotive	SOT-223-4 / TO-261-4D
NCV8664CST50T3G	0.4335	AEC Qualified PPAP Capable Pb-free Halide free	Active	Single	Positive	5	0.15	5.5	45	0.27	0.022	67	-	No	No	Automotive	SOT-223-4 / TO-261-4D

## Application Diagram



For more information please contact your local sales support at [www.onsemi.com](http://www.onsemi.com).

Created on: 10/23/2021