

## Product Overview

### CAT4101: LED Driver, 1 A Constant Current with PWM

For complete documentation, see the data sheet.

The CAT4101 is a constant-current sink driving a string of high-brightness LEDs up to 1 A with very low dropout of 0.5 V at full load. It requires no inductor, provides a low noise operation and minimizes the number of components. The LED current is set by an external resistor connected to the RSET pin. The LED pin is compatible with high voltage up to 25 V, allowing the driving of long strings of LEDs. The device ensures an accurate and regulated current in the LEDs independent of supply and LED forward voltage variation. The PWM/EN input allows the device shutdown and the LED brightness adjustment by using an external pulse width modulation (PWM) signal. The driver features a thermal shutdown protection that becomes active whenever the die temperature exceeds 150C. The device is available in a high-power, 5-lead TO-263 package offering excellent thermal dissipation characteristics.

### Features

- Accurate 1 A Current Sink
- Up to 25 V Operation on LED Pin
- Low Dropout 500 mV at 1 A
- LED Current Set by External Resistor
- High Resolution PWM Dimming via EN/PWM
- 'Zero' current Shutdown mode
- Thermal Shutdown Protection
- TO263 (D2PAK) 5-lead Package
- This Device is Pb-Free, Halogen Free/BFR Free and is RoHS Compliant

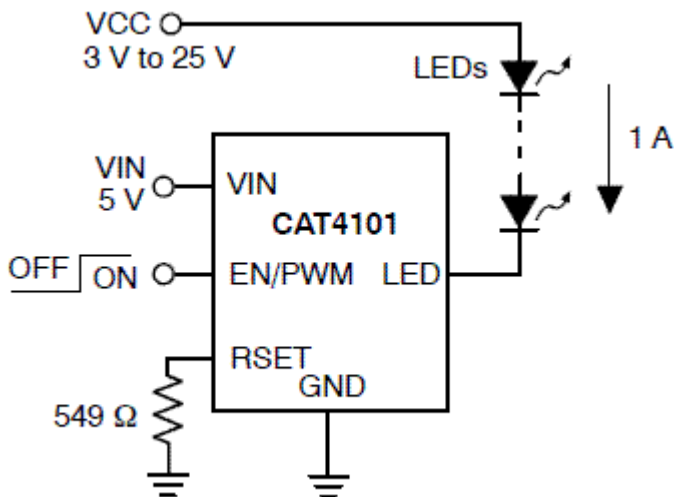
### Applications

- High Power LED up to 1A

### End Products

- Architectural and General Lighting
- Automotive Lighting

### Application Diagram



For more information please contact your local sales support at [www.onsemi.com](http://www.onsemi.com).

Created on: 6/4/2020