

Product Overview

NCP5007: LED Driver, Boost, Compact Backlight

For complete documentation, see the data sheet.

The NCP5007 is high efficiency boost converter operating in current control loop, based on a PFM mode, to drive White LEDs. The current mode regulation allows a uniform brightness of the LEDs. The chip has been optimized for small ceramic capacitors and is capable of supplying up to 1.0 W output power.

Features

- Inductor Based Converter brings High Efficiency
- Constant Output Current Regulation
- 2.7 to 5.5 V Input Voltage Range
- Vout to 22 V Output Compliance Allows up to 5 LEDs Drive in Series which Provides Automatic LED Current Matching
- Built-in Over Voltage Protection
- 0.3 μ A Standby Quiescent Current
- Includes Dimming Function (PWM)
- Enable Function Driven Directly from Low Battery Voltage Source
- Thermal Shutdown Protection
- All Pins are Fully ESD Protected

For more features, see the data sheet

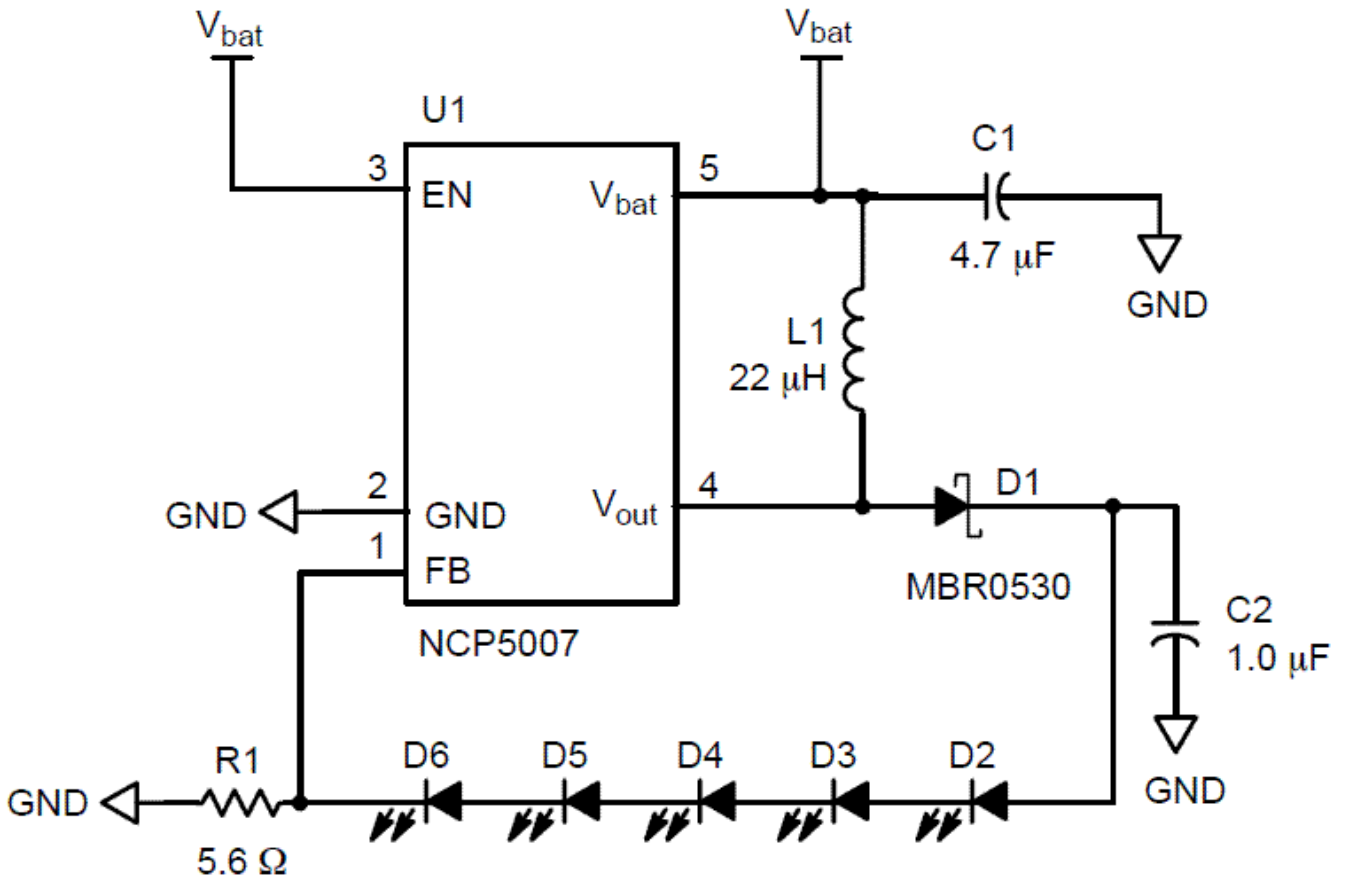
Applications

- LED Display Back Light Control
- High Efficiency Step up Converter

Part Electrical Specifications

Product	Pricing (\$/Unit)	Compliance	Status	Topology	V _{IN} Min (V)	V _{IN} Max (V)	V _O Max (V)	I _O Max (mA)	f _{sw} Typ (kHz)	Package Type
NCP5007SNT1G	0.4	Pb-free Halide free non AEC-Q and PPAP	Active	Step-Up	2.7	20	22	50	1200	TSOP-5 / SOT-23-5

Application Diagram



For more information please contact your local sales support at www.onsemi.com.

Created on: 10/23/2021