

## Product Overview

### NCP5005: LED Driver, Boost, Compact Backlight

For complete documentation, see the data sheet.

The NCP5005 is high efficiency boost converter operating in current loop, based on a PFM mode, to drive White LED. The current mode regulation allows a uniform brightness of the LEDs. The chip has been optimized for small ceramic capacitors, capable to supply up to 1.0 W output power.

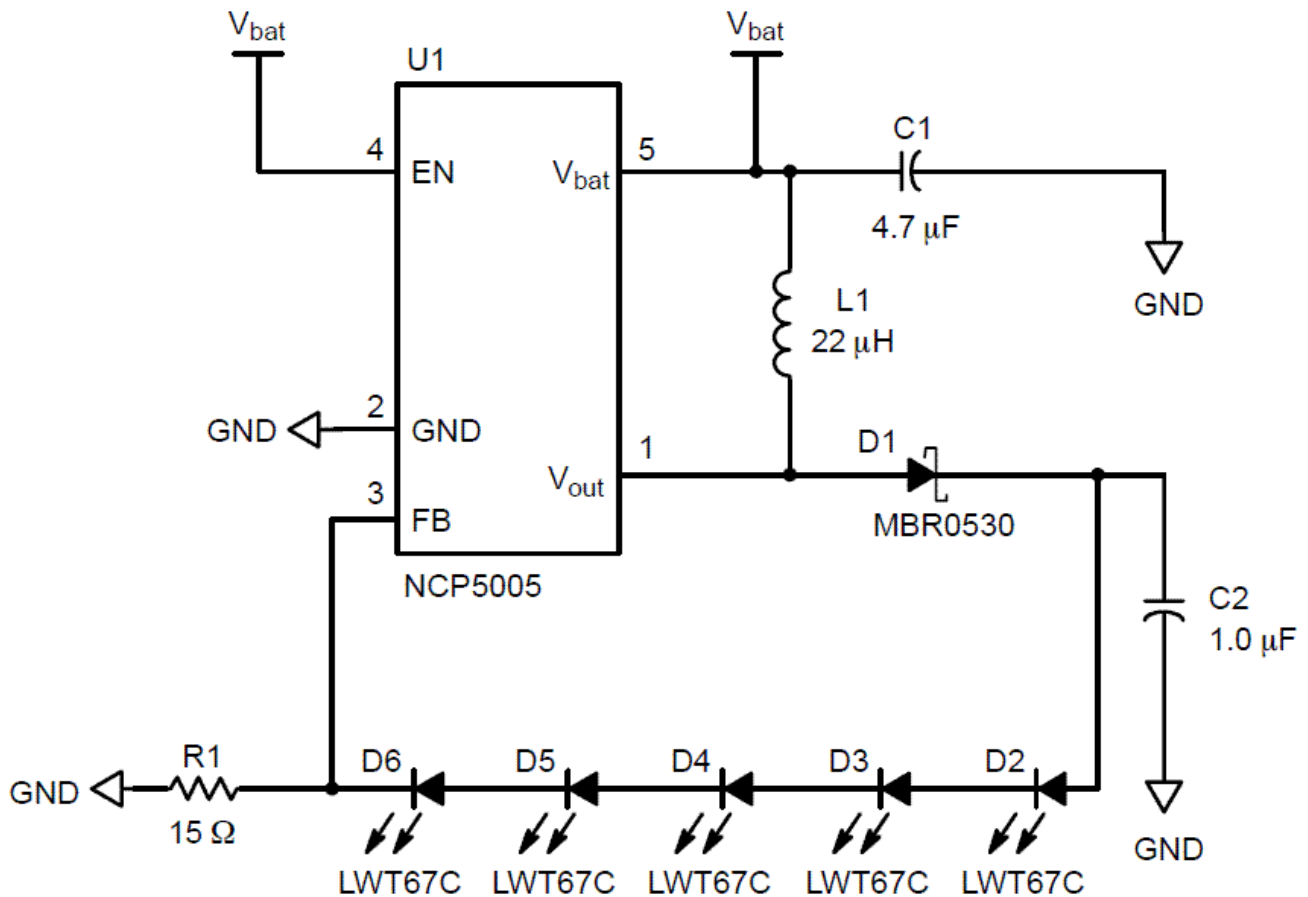
### Features

- 2.7 to 5.5 V Input Voltage Range
  - Vout to 24 V Output Compliance allows up to 5 LEDs drive in Series
  - Built-in Overvoltage protection
  - Full EMI Immunity
  - Inductor Based Converter brings up to 90% Efficiency
  - Constant Output Current regulation
  - 0.3  $\mu\text{A}$  Stand By Quiescent Current
  - Includes Dimming Function (PWM)
  - Enable Function Driven Directly from Low Battery Voltage Source
  - Automatic LEDs Current Matching
- For more features, see the data sheet

### Applications

- LED Display Back Light Control
- Keyboard Back Light
- High Efficiency Step up Converter

### Application Diagram



For more information please contact your local sales support at [www.onsemi.com](http://www.onsemi.com).

Created on: 4/7/2020