

Product Overview

NCV8518C: LDO Regulator, 200 mA, Watchdog Wake Up, with Reset and Enable

For complete documentation, see the data sheet.

The NCV8518C device is a precision micropower voltage regulator. It has a fixed output voltage of 5.0 V and regulates within $\pm 2\%$. It is suitable for use in all automotive environments and contains all the required functions to control a microprocessor. This device has low dropout voltage and low quiescent current. It includes a watchdog timer, adjustable reset, wake up and enable function. Also encompassed in this device are safety features such as thermal shutdown and short circuit protection. It is capable of handling up to 45 V transients.

Features

- Output Voltage Option: 5.0 V
- Output Voltage accuracy: $\pm 2\%$
- Output current up to 250 mA
- Low Dropout Voltage
- Low Quiescent Current of 70 μA
- Low Sleep Mode Current less than 1.0 μA
- Micropower Compatible Control Function:- ENABLE- Watchdog- RESET- Wake Up
- Protection Features:
 - Thermal Shutdown
 - Current Limitation
- AEC-Q100 Grade 1 Qualified and PPAP Capable

Applications

- Body and Chassis
- Instrument and Clusters
- Engine Control Unit

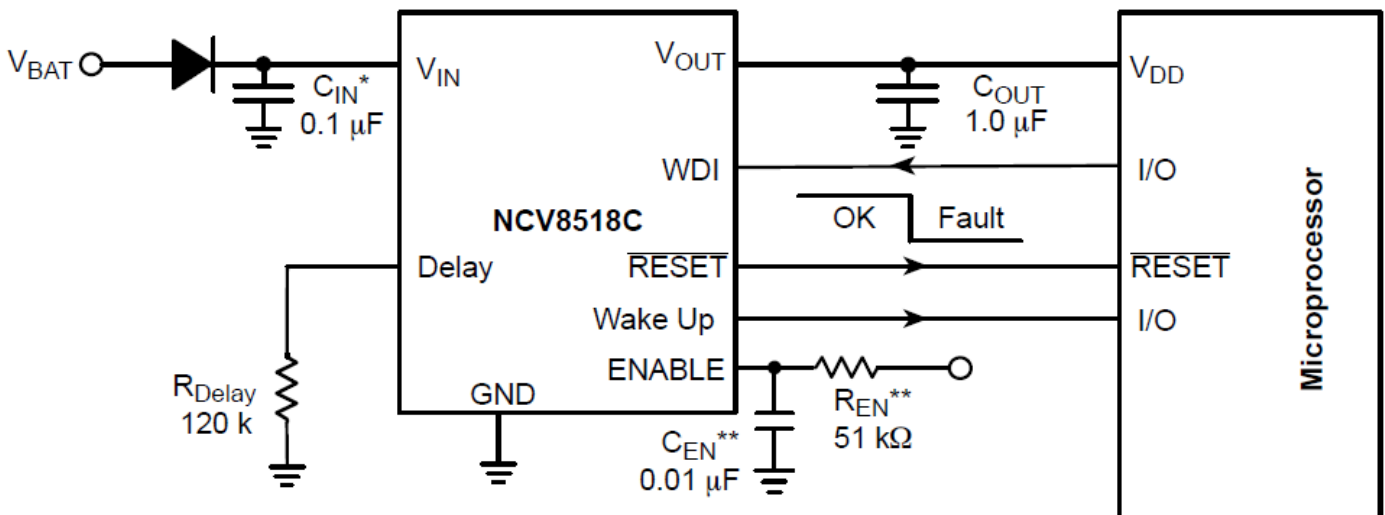
End Products

- Automotive

Part Electrical Specifications

Product	Compliance	Status	Output	Polarity	V_O (V)	I_O Typ (A)	V_I Min (V)	V_I Max (V)	V_{DO} Typ (V)	I_q Typ (mA)	PSRR (dB)	Noise (μV_{rms})	Enable	Power Good	Package Type
NCV8518CPDR2G	AEC Qualified PPAP Capable Pb-free Halide free	Active	Single	Positive	5	0.25	6	40	0.356	0.07			Yes	Yes	SOIC-8 EP

Application Diagram



For more information please contact your local sales support at www.onsemi.com.

