

Product Overview

NCV4274: Linear Voltage Regulator, 400 mA

For complete documentation, see the data sheet.

The NCV4274 and NCV4274A are precision micro-power voltage regulators with output current capability of 400 mA available in the SOT-223, DPAK and D2PAK packages. The output voltage 8.5V, 5.0V, 3.3V or 2.5V are accurate within $\pm 2\%$ or $\pm 4\%$ depending on the version, with a maximum dropout voltage of 0.5V with an input up to 40 V. Low Quiescent Current is a feature drawing only 150 μA with a 1 mA load. This part is ideal for automotive and all battery operated microprocessor equipment. The regulator is protected against reverse battery, short circuit, thermal overload conditions and can withstand load dump transients making it suitable for use in automotive environments.

Features

- 2.5, 3.3 V, 5.0 V, 8.5 V, 2.0% Output Options 2.5, 3.3 V, 5.0 V, 4.0% Output Options 400 mA Output Current
- Protections: +60 V Peak Transient Voltage -42V Reverse Voltage Short Circuit Thermal Overload
- Very Low Dropout Voltage
- AEC-Q100 Qualified

Benefits

- Tight regulation limits; design flexibility
- No external components required to enable protections required within any automotive applications
- Can operate during cranking at low input voltage
- Meet automotive qualification standard

Applications

- Engine Control Unit, Powertrain
- Body and Chassis

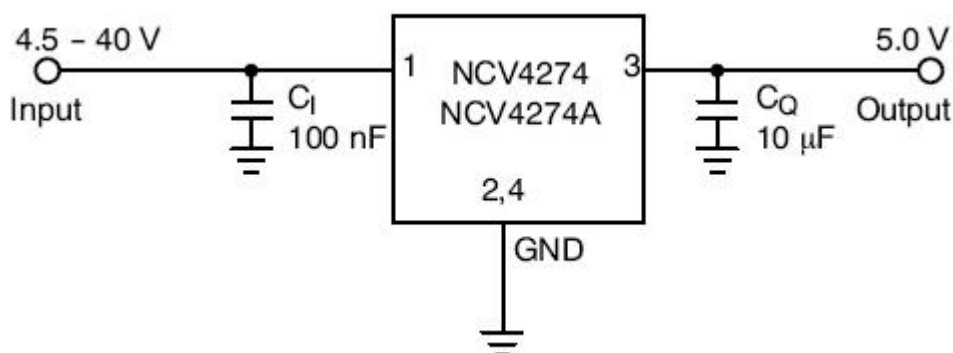
End Products

- Automotive

Part Electrical Specifications

Product	Compliance	Status	Output	Polarity	V_o (V)	I_o Typ (A)	V_i Min (V)	V_i Max (V)	V_{DO} Typ (V)	I_q Typ (mA)	PSRR (dB)	Noise (μV_{rms})	Enable	Power Good	Package Type
NCV4274AST33T3G	AEC Qualified PPAP Capable Pb-free Halide free	Active	Single	Positive	3.3	0.4	-42	45	1.2	0.145	60	-	No	No	SOT-223-4 / TO-261-4

Application Diagram



For more information please contact your local sales support at www.onsemi.com.

Created on: 9/15/2019