

## Product Overview

### NCP6922C: LDO Regulator, Dual, 4-Channel PMIC, Dual DC-DC Converters

For complete documentation, see the data sheet.

The NCP6922C is part of the ON Semiconductor mini-power management IC family. It is optimized to supply battery powered portable application subsystems such as camera function, microprocessors, etc. This device integrates two high efficiency 800 mA step-down DC to DC converters with DVS (Dynamic Voltage Scaling) and two low dropout (LDO) voltage regulators in 4x4 mm 20 pins WQFN package.

#### Features

- Ultra low quiescent current (82 uA typ)
- Fully programmable by I2C
- Two low noise, low dropout regulators, programmable output voltage from 1.0 V to 3.3 V by 50 mV steps, 2 x 150 mA and output current capability, 50 uVrms typical low output noise
- Two DC-DC converters, efficiency 95%, programmable output voltage from 0.6 V to 3.3 V by 12.5 mV steps, 800 mA output current capability

#### Benefits

- Save battery life
- Offer design flexibility
- Offer design flexibility

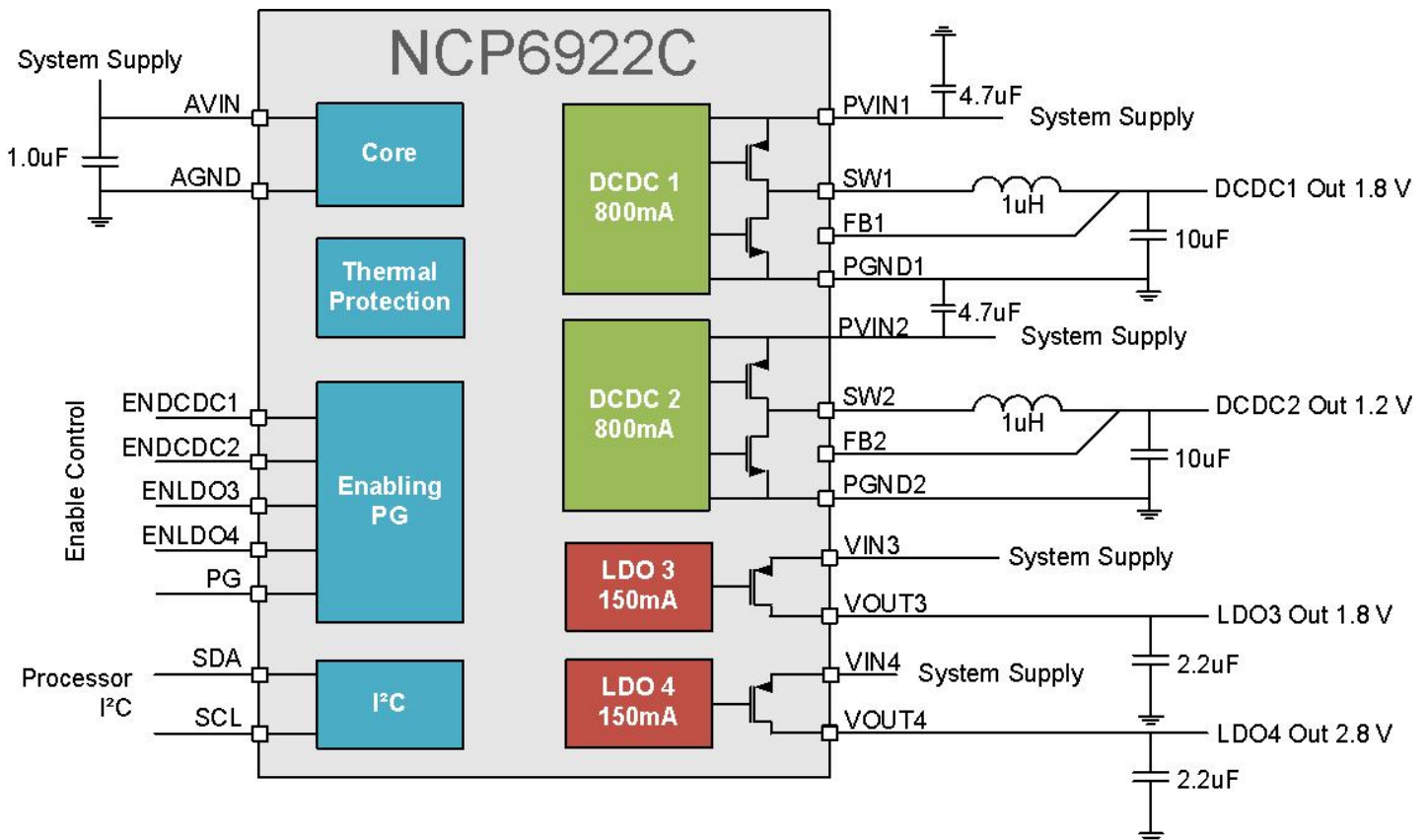
#### Applications

- Battery powered applications power management
- Power supply for processor with low core voltage
- Camera modules
- Peripheral sub-systems
- USB powered devices

#### End Products

- Gaming systems
- Digital still cameras
- Set-top box
- GPS
- Car infotainment

#### Application Diagram



For more information please contact your local sales support at [www.onsemi.com](http://www.onsemi.com).

Created on: 8/1/2021