

Product Overview

NCP1565: PWM Controller, Highly Integrated Dual-Mode Active Clamp

For complete documentation, see the data sheet.



The NCP1565 is a highly integrated dual-mode active-clamp PWM controller targeting next-generation high-density, high-performance and small to medium power level isolated dc-dc converters for use in telecom and datacom industries. It can be configured in either voltage mode control with input voltage feed-forward or peak current mode control. Peak current mode control may be implemented with input voltage feed forward as well. Adjustable adaptive overlap time optimizes system efficiency based on input voltage and load conditions.

This controller integrates all the necessary control and protection functions to implement an isolated active clamp forward or asymmetric half-bridge converter. It integrates a high-voltage startup bias regulator. The NCP1565 has a line undervoltage detector, cycle-by-cycle current limiting, line voltage dependent maximum duty ratio limit, and programmable overtemperature protection using an external thermistor. It also includes a dual-function FLTSD pin used for communicating the presence of a fault but also for shutting down the controller.

Features

- Both Voltage Mode Control and Current Mode Control
 - Line feedforward
 - Adaptive Overlap time Control
 - Integrated 120 V HV Startup
 - Programmable Line Undervoltage Lockout (UVLO) with Adjustable Hysteresis
 - Cycle by Cycle Peak Current Limiting
 - Overcurrent Protection Based on Average Current
 - Programmable Duty Ratio Clamp
 - Programmable Soft-Start
 - Programmable Shutdown and Restart Delays
- For more features, see the data sheet

Benefits

- Flexible topology solution
- Stable constant crossover across input voltage range
- Extended ZVS across input & output operating conditions
- Lossless startup and reduced V_{CC} capacitor via dynamic startup
- Safely limits operating input voltage range
- Increased converter robustness
- Precise output power limit
- Efficiently prevents transformer saturation
- Lowers components stress at startup
- Robustness and flexibility of design

Applications

- High Efficiency Isolated dc-dc Converters
- Server Power Supplies
- 24 V and 48 V Telecom systems
- 42 V Automotive Applications

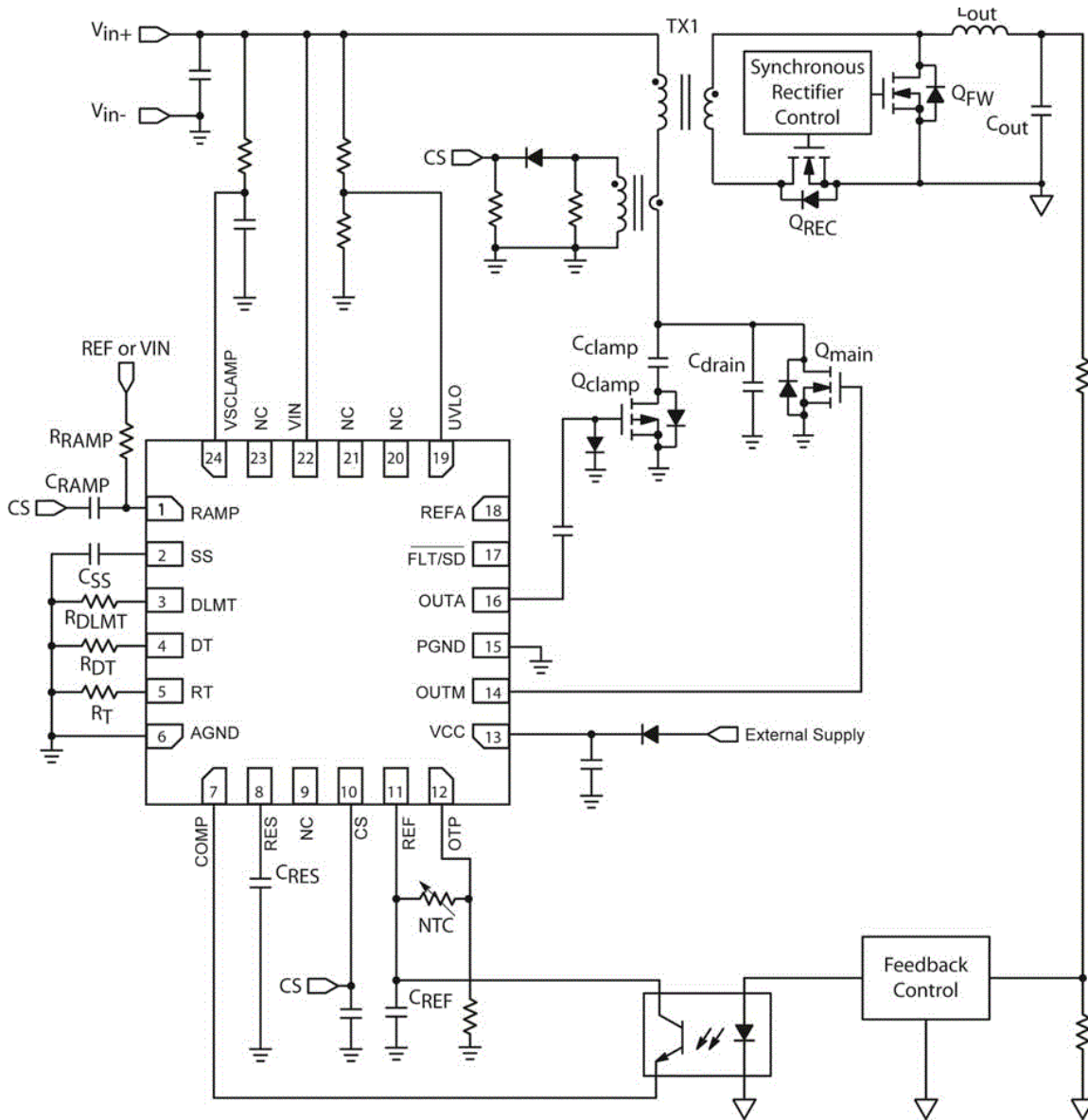
End Products

- Telecom systems
- Servers

Part Electrical Specifications

Product	Compliance	Status	Topology	Phases	Control Mode	V _{CC} Min (V)	V _{CC} Max (V)	f _{SW} Typ (kHz)	Package Type
NCP1565MNTXG	Pb-free Halide free	Active	Forward	1	Current/Voltage Mode	6.5	120	Programmable up to 1.5Mhz	QFN-24

Application Diagram



For more information please contact your local sales support at www.onsemi.com.

Created on: 9/20/2019