

## Product Overview

### NCP1010: High Voltage Switching Regulator for Offline SMPS

For complete documentation, see the data sheet.

The NCP101X series integrates a fixed-frequency current-mode controller and a 700 V voltage MOSFET. Housed in a PDIP7 package, the NCP101X offers everything needed to build a rugged and low-cost power supply, including soft-start, frequency jittering, short-circuit protection, skip-cycle, a maximum peak current setpoint and a Dynamic Self-Supply (no need for an auxiliary winding). Unlike other monolithic solutions, the NCP101X is quiet by nature: during nominal load operation, the part switches at one of the available frequencies (65-100-130 kHz). When the current setpoint falls below a given value, e.g. the output power demand diminishes, the IC automatically enters the so-called skip cycle mode and provides excellent efficiency at light loads. Because this occurs at typically 1/4 of the maximum peak value, no acoustic noise takes place. As a result, standby power is reduced to the minimum without acoustic noise generation.

### Features

- Built-in 700V MOSFET with Typical RdsON of 11 or 22 Ohms
- Large Creepage Distance between High-Voltage Pins
- Current- Mode Fixed Frequency Operation: 65kHz - 100kHz - 130kHz
- Skip-Cycle Operation at Low Peak Currents Only: No Acoustic Noise!
- Dynamic Self-Supply, No Need of an Auxiliary Winding
- Internal 1ms Soft-Start
- Auto-Recovery Internal Output Short-Circuit Protection
- Latched Overvoltage Protection with Auxiliary Winding Operation
- Frequency Jittering for better EMI Signature
- Below 100 mW Standby Power if Auxiliary Winding is Used

For more features, see the data sheet

### Applications

- Auxiliary Power Supplies

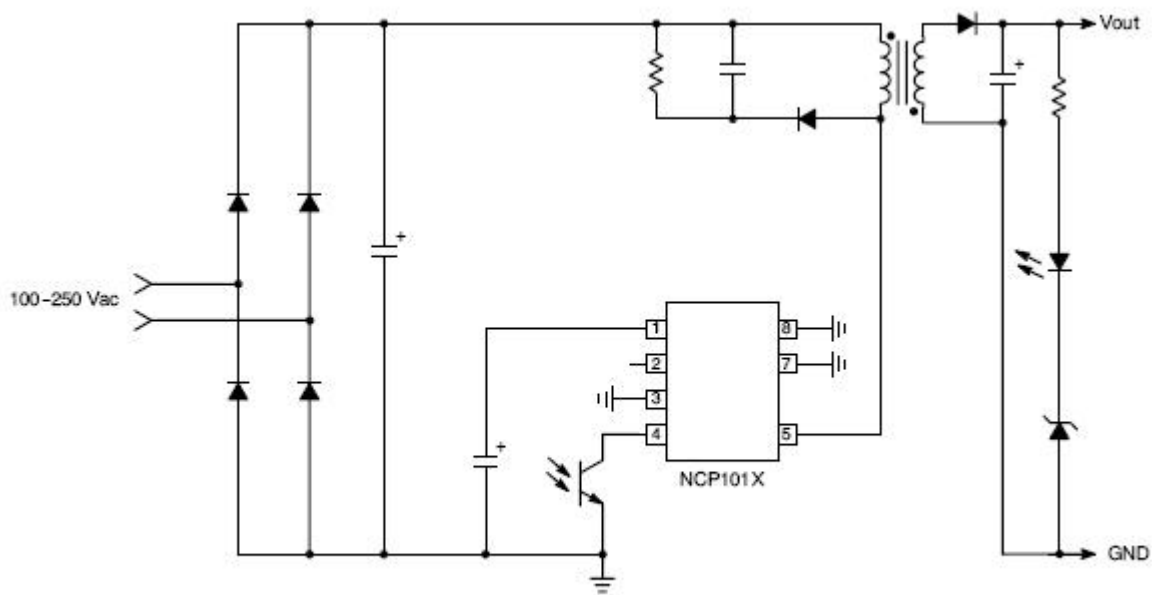
### End Products

- Low Power AC/DC Adapter for Chargers

### Part Electrical Specifications

Product	Pricing (\$/Unit)	Compliance	Status	Control Mode	f <sub>sw</sub> Typ (kHz)	f <sub>jitter</sub> Typ (%)	Stand-by Mode	R <sub>DS(on)</sub> Typ (Ω)	V <sub>DSS(BR)</sub> Max (V)	I <sub>Peak</sub> (mA)	HV Start-up Min (V)	DSS (mA)	UVLO	Short Circuit Protection	Over Power Compensation	Brown-out	Latch	Package Type
NCP1010AP065G	0.42	Pb-free Halide free	Active	Current Mode	65	Yes	Yes	25	700	100	Yes	8.5	Yes	Yes	No	No	Yes	PDIP-7
NCP1010AP100G	0.42	Pb-free Halide free	Active	Current Mode	100	Yes	Yes	25	700	100	Yes	8.5	Yes	Yes	No	No	Yes	PDIP-7
NCP1010AP130G	0.42	Pb-free Halide free	Active	Current Mode	130	Yes	Yes	25	700	100	Yes	8.5	Yes	Yes	No	No	Yes	PDIP-7
NCP1010ST100T3G	0.3568	Pb-free Halide free	Active	Current Mode	100	Yes	Yes	25	700	100	Yes	8.5	Yes	Yes	No	No	Yes	
NCP1010ST130T3G	0.4001	Pb-free Halide free	Active	Current Mode	130	Yes	Yes	25	700	100	Yes	8.5	Yes	Yes	No	No	Yes	
NCP1010ST65T3G	0.406	Pb-free Halide free	Active	Current Mode	65	Yes	Yes	25	700	100	Yes	8.5	Yes	Yes	No	No	Yes	

# Application Diagram



Typical Application Example

For more information please contact your local sales support at [www.onsemi.com](http://www.onsemi.com).

Created on: 8/11/2020