

Product Overview

NCV7424: Quad LIN Transceiver

For complete documentation, see the data sheet.

NCV7424 is a four channel physical layer device using the Local Interconnect Network (LIN) protocol. It allows interfacing of four independent LIN physical buses and the LIN protocol controllers. The device is compliant to LIN 2.x Protocol Specification package and the SAE J2602 standard. The NCV7424 LIN device is a member of the in-vehicle networking (IVN) transceiver family. The device is a monolithic solution incorporating 4 times the NCV7321-1 transceiver.

Features

- TSSOP16 Package. Pin-out Compatible with One Single LIN NCV7321 Transceiver (Pin Numbers 4 to 7, and 10 to 13)
- Compliant with LIN2.x, Backwards Compatible to Version 1.3 and J2602
- Transmission Rate 1 kbps to 20 kbps
- Indefinite Short-Circuit Protection on LIN towards Supply and Ground
- Bus Pins Protected Against Transients in an Automotive Environment
- Thermal Shutdown
- System ESD on LIN Pin Exceeding 10 kV, No Need for External ESD Protections
- Load Dump Protection (45 V)
- Integrated Slope Control Resulting into Excellent EME Performance also without any Capacitor on LIN Pin
- Excellent EMI Performance

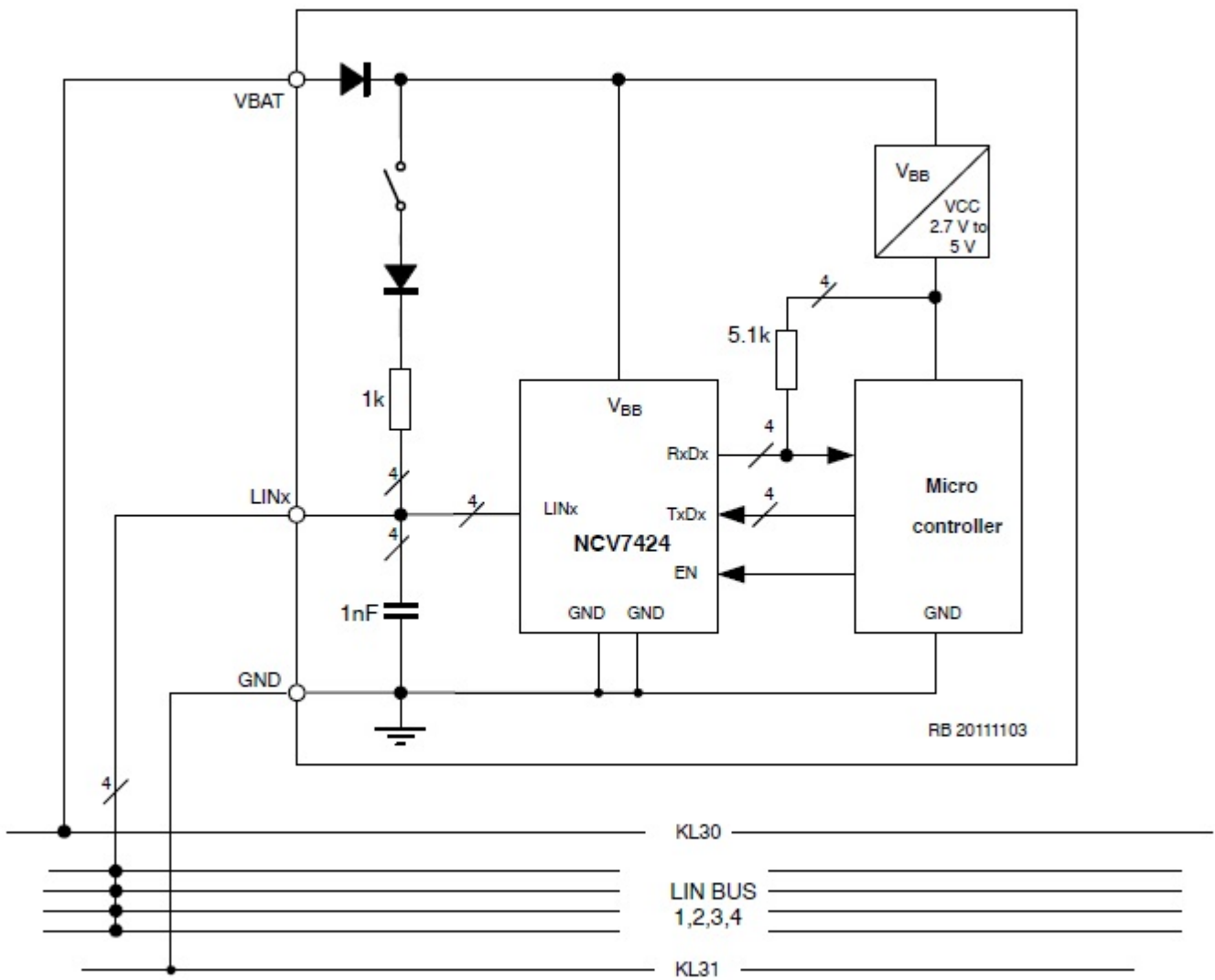
For more features, see the data sheet

Part Electrical Specifications

Product	Pricing (\$/Unit)	Compliance	Status	Data Transmission Standard	Data Rate	Number of Drivers	Number of Receivers	V _{CC} Min (V)	V _{CC} Max (V)	t _{PLH} Max (μs)	I _O Max (μA)	I _H Max (mA)	Package Type
NCV7424DB0R2G		AEC Qualified PPAP Capable Pb-free Halide free	Active	LIN	20 kbaud	4	4	5	27				TSSOP-16

Application Diagram

TYPICAL APPLICATION



Application Diagram, Four LIN Master Nodes

For more information please contact your local sales support at www.onsemi.com.

Created on: 3/30/2020