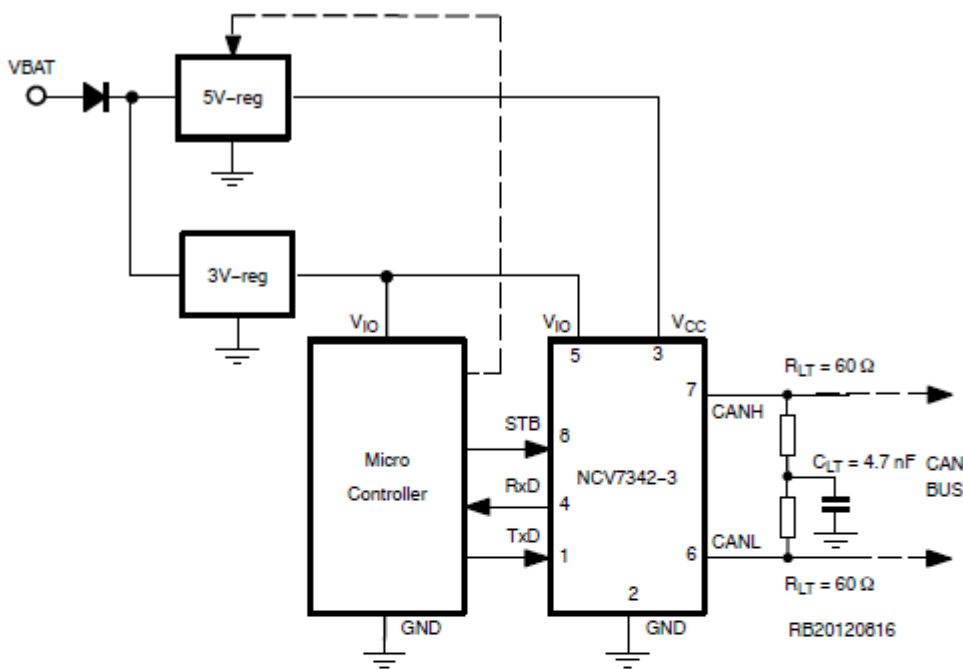


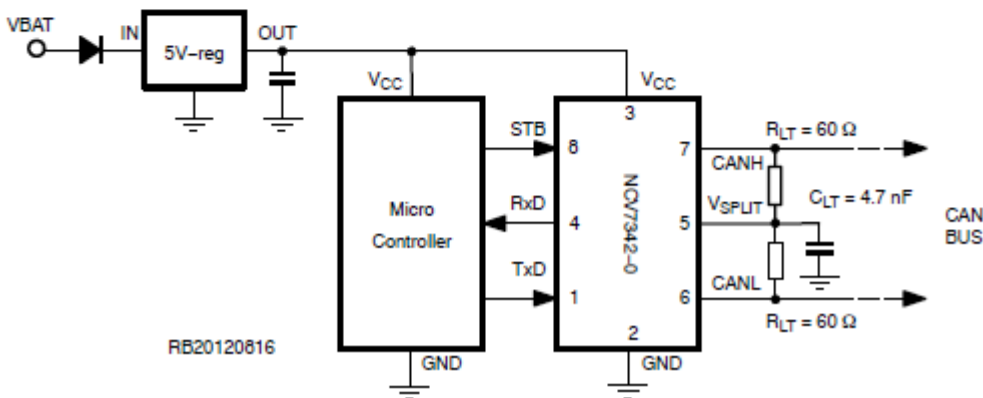


# Application Diagram

## Application Diagram NCV7342-3



## Application Diagram NCV7342-0



For more information please contact your local sales support at [www.onsemi.com](http://www.onsemi.com).

Created on: 8/20/2019