

Product Overview

AMIS-30600: LIN Transceiver, Stand-alone

For complete documentation, see the data sheet.

The single-wire transceiver AMIS-30600 is a monolithic integrated circuit in a SOIC-8 package. It works as an interface between the protocol controller and the physical bus. The AMIS-30600 is especially suited to drive the bus line in LIN systems in automotive and industrial applications. Further it can be used in standard ISO9141 systems. In order to reduce current consumption the AMIS-30600 offers a stand-by mode. A wake-up caused by a message on the bus pulls the INH-output high until the device is switched to normal operation mode. The transceiver is implemented in I2T100 technology enabling both high-voltage analog circuitry and digital functionality to co-exist on the same chip. The AMIS-30600 provides an ultra-safe solution to current automotive in-vehicle networking (IVN) requirements by providing unlimited short circuit protection in the event of a fault condition.

Features

- Slope control dependant from Vbat
- Integrated slope control for transmitter
- Integrated filter and hysteresis for receiver
- Power down supply current < 50µA
- Load dump protection (45V)
- Indefinite short circuit protection to supply and ground
- Thermal shutdown
- Transmission rate up to 20 kbaud
- LIN compliant to specification Rev. 1.3 and Rev. 2.0

Benefits

- Enables maximum capacitive load

Applications

- In-Vehicle Networking
- Industrial Networking

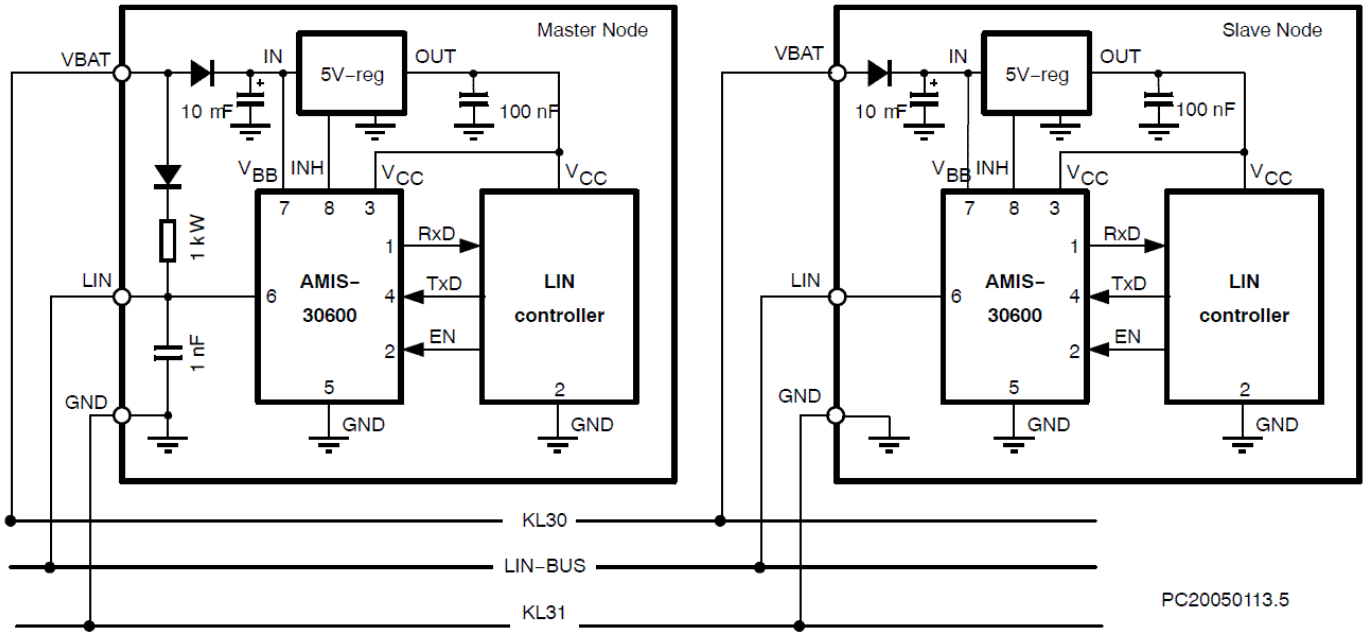
End Products

- Industrial Equipment
- Automobiles

Part Electrical Specifications

Product	Pricing (\$/Unit)	Compliance	Status	Data Transmission Standard	Data Rate	Number of Drivers	Number of Receivers	V _{CC} Min (V)	V _{CC} Max (V)	t _{PLH} Max (µs)	I _O Max (µA)	I _{IH} Max (mA)	Package Type
AMIS30600LINI1RG		AEC Qualified PPAP Capable Pb-free Halide free	Active	LIN	20 kbaud	1	1	7.3	18				SOIC-8

Application Diagram



For more information please contact your local sales support at www.onsemi.com.

Created on: 4/10/2020