

Product Overview

NCS2553: Video Amplifier, 3-Channel, with Standard Definition Reconstruction Filters

For complete documentation, see the data sheet.

The NCS2553 is a 3-Channel high speed video amplifier with 6th order butterworth standard definition reconstruction filter. All three channels can accommodate either all component and RGB video signals or composite and S-Video signals. All channels can accept DC or AC coupled signals. If AC coupled, the internal clamps are employed. The outputs can drive both AC and DC coupled 150 Ohms loads. It is designed to be compatible with most digital-to-analog converters (DAC) embedded in most video processors.

Features

- Three 6th Order Standard Definition 8 MHz Filters
- Internal Fixed Gain = 6 dB
- AC- or DC- Coupled Inputs / Outputs
- Integrated Level Shifter
- Operating Voltage +5 V
- ESD HBM Protection > 8 kV

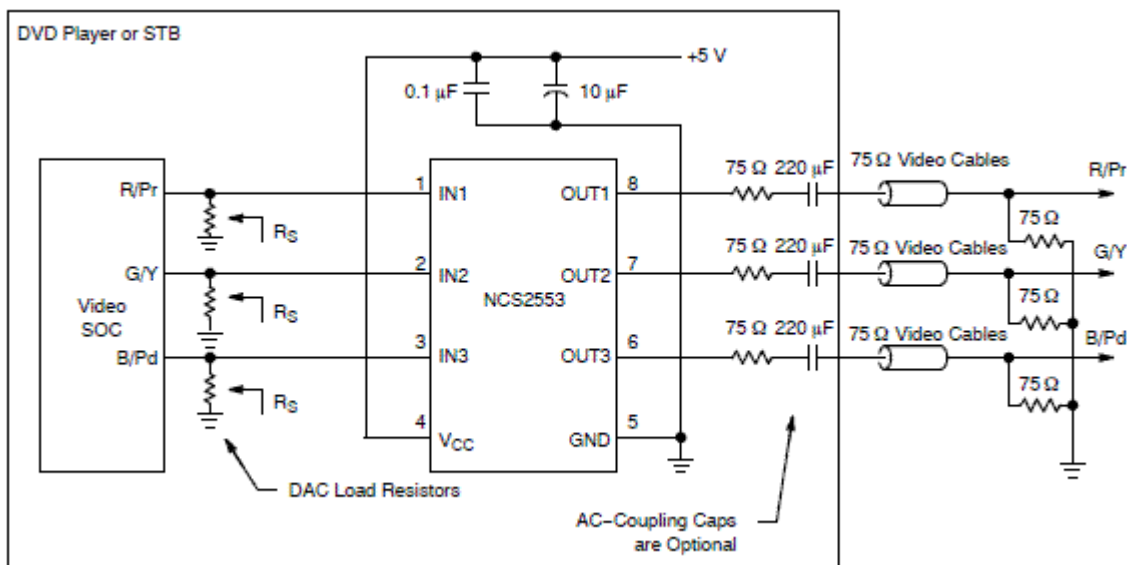
Applications

- Video Systems

End Products

- Set Top Box
- DVD Players
- Flat Panel TVs

Application Diagram



For more information please contact your local sales support at www.onsemi.com.

Created on: 4/4/2020