

ON Semiconductor

Is Now

onsemi™

To learn more about onsemi™, please visit our website at
www.onsemi.com

onsemi and **onsemi** and other names, marks, and brands are registered and/or common law trademarks of Semiconductor Components Industries, LLC dba "**onsemi**" or its affiliates and/or subsidiaries in the United States and/or other countries. **onsemi** owns the rights to a number of patents, trademarks, copyrights, trade secrets, and other intellectual property. A listing of **onsemi** product/patent coverage may be accessed at www.onsemi.com/site/pdf/Patent-Marking.pdf. **onsemi** reserves the right to make changes at any time to any products or information herein, without notice. The information herein is provided "as-is" and **onsemi** makes no warranty, representation or guarantee regarding the accuracy of the information, product features, availability, functionality, or suitability of its products for any particular purpose, nor does **onsemi** assume any liability arising out of the application or use of any product or circuit, and specifically disclaims any and all liability, including without limitation special, consequential or incidental damages. Buyer is responsible for its products and applications using **onsemi** products, including compliance with all laws, regulations and safety requirements or standards, regardless of any support or applications information provided by **onsemi**. "Typical" parameters which may be provided in **onsemi** data sheets and/or specifications can and do vary in different applications and actual performance may vary over time. All operating parameters, including "Typicals" must be validated for each customer application by customer's technical experts. **onsemi** does not convey any license under any of its intellectual property rights nor the rights of others. **onsemi** products are not designed, intended, or authorized for use as a critical component in life support systems or any FDA Class 3 medical devices or medical devices with a same or similar classification in a foreign jurisdiction or any devices intended for implantation in the human body. Should Buyer purchase or use **onsemi** products for any such unintended or unauthorized application, Buyer shall indemnify and hold **onsemi** and its officers, employees, subsidiaries, affiliates, and distributors harmless against all claims, costs, damages, and expenses, and reasonable attorney fees arising out of, directly or indirectly, any claim of personal injury or death associated with such unintended or unauthorized use, even if such claim alleges that **onsemi** was negligent regarding the design or manufacture of the part. **onsemi** is an Equal Opportunity/Affirmative Action Employer. This literature is subject to all applicable copyright laws and is not for resale in any manner. Other names and brands may be claimed as the property of others.

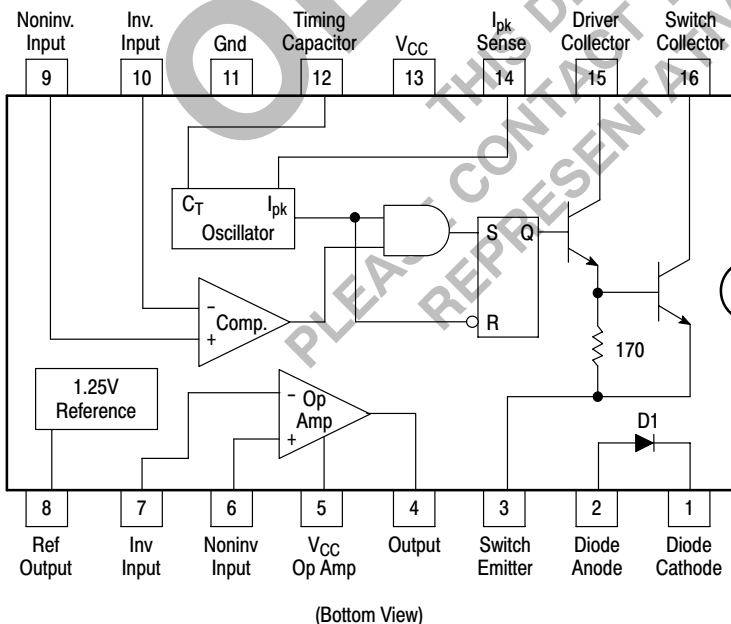
UA78S40

Universal Switching Regulator Subsystem

The μ A78S40 is a switching regulator subsystem, consisting of a temperature compensated voltage reference, controlled-duty cycle oscillator with an active current limit circuit, comparator, high-current and high-voltage output switch, capable of 1.5 A and 40 V, pinned-out power diode and an uncommitted operational amplifier, which can be powered up or down independent of the IC supply. The switching output can drive external NPN or PNP transistors when voltages greater the 40 V, or currents in excess of 1.5 A, are required. Some of the features are wide-supply voltage range, low standby current, high efficiency and low drift. The μ A78S40 is available in commercial (0° to $+70^\circ\text{C}$), and automotive (-40° to $+85^\circ\text{C}$) temperature ranges.

Some of the applications include use in step-up, step-down, and inverting regulators, with extremely good results obtained in battery-operated systems.

- Output Adjustable from 1.25 V to 40 V
- Peak Output Current of 1.5 A Without External Transistor
- 80 dB Line and Load Regulation
- Operation from 2.5 V to 40 V Supply
- Low Standby Current Drain
- High Gain, High Output Current, Uncommitted Op Amp



NOTE: This device contains 84 active transistors.

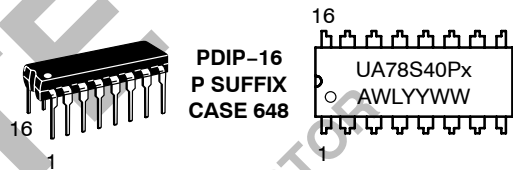
Figure 1. Simplified Block Diagram



ON Semiconductor™

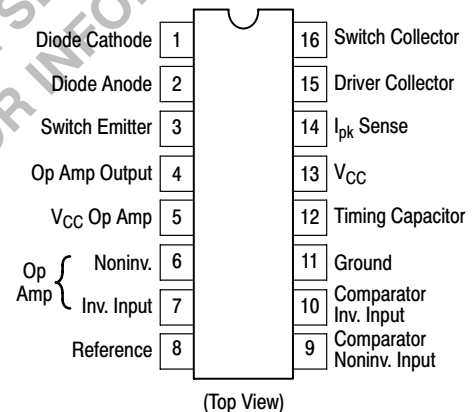
<http://onsemi.com>

MARKING DIAGRAM



x = C or V
 A = Assembly Location
 WL = Wafer Lot
 YY = Year
 WW = Work Week

PIN CONNECTIONS



ORDERING INFORMATION

Device	Package	Shipping
μ A78S40PC	PDIP-16	25 Units/Rail
μ A78S40PV	PDIP-16	25 Units/Rail

UA78S40

MAXIMUM RATINGS

Rating	Symbol	Value	Unit
Power Supply Voltage	V_{CC}	40	V
Op Amp Power Supply Voltage	V_{CC} (Op Amp)	40	V
Common Mode Input Range (Comparator and Op Amp)	V_{ICR}	-0.3 to V_{CC}	V
Differential Input Voltage (Note 2)	V_{ID}	± 30	V
Output Short Circuit Duration (Op Amp)		Continuous	-
Reference Output Current	I_{ref}	10	mA
Voltage from Switch Collectors to Gnd		40	V
Voltage from Switch Emitters to Gnd		40	V
Voltage from Switch Collectors to Emitter		40	V
Voltage from Power Diode to Gnd		40	V
Reverse-Power Diode Voltage	V_{DR}	40	V
Current through Power Switch	I_{SW}	1.5	A
Current through Power Diode	I_D	1.5	A
Power Dissipation and Thermal Characteristics: Plastic Package ($T_A = +25^\circ\text{C}$) Derate above $+25^\circ\text{C}$ (Note 1)	P_D $1/R_{\theta JA}$	1500 14	mW mW/ $^\circ\text{C}$
Storage Temperature Range	T_{stg}	-65 to +150	$^\circ\text{C}$
Operating Temperature Range $\mu\text{A78S40V}$ $\mu\text{A78S40C}$	T_A	-40 to +85 0 to +70	$^\circ\text{C}$

ELECTRICAL CHARACTERISTICS ($V_{CC} = V_{CC}$ (Op Amp) 5.0 V, $T_A = T_{low}$ to T_{high} , unless otherwise noted.)

Characteristic	Symbol	Min	Typ	Max	Unit
GENERAL					
Supply Voltage	V_{CC}	2.5	-	40	V
Supply Current (Op Amp V_{CC} , disconnected) ($V_{CC} = 5.0$ V) ($V_{CC} = 40$ V)	I_{CC}	- -	1.8 2.3	3.5 5.0	mA
Supply Current (Op Amp V_{CC} , connected) ($V_{CC} = 5.0$ V) ($V_{CC} = 40$ V)	I_{CC}	- -	- -	4.0 5.5	mA
REFERENCE					
Reference Voltage ($I_{ref} = 1.0$ mA)	V_{ref}	1.180	1.245	1.310	V
Reference Voltage Line Regulation (3.0 V $\leq V_{CC} \leq 40$ V, $I_{ref} = 1.0$ mA, $T_A = 25^\circ\text{C}$)	Reg_{line}	-	0.04	0.2	mV/V
Reference Voltage Load Regulation (1.0 mA $\leq I_{ref} \leq 10$ mA, $T_A = 25^\circ\text{C}$)	Reg_{load}	-	0.2	0.5	mV/mA

1. $T_{low} = -40^\circ$ for $\mu\text{A78S40PV}$
= 0° for $\mu\text{A78S40PC}$

$T_{high} = +85^\circ$ for $\mu\text{A78S40PV}$
= $+70^\circ$ for $\mu\text{A78S40PC}$

2. For supply voltages less than 30 V the maximum differential input voltage (Error Amp and Op Amp) is equal to the supply voltage.

UA78S40

ELECTRICAL CHARACTERISTICS ($V_{CC} = V_{CC} \text{ (Op Amp)}$ 5.0 V, $T_A = T_{low}$ to T_{high} , unless otherwise noted.)

Characteristic	Symbol	Min	Typ	Max	Unit
OSCILLATOR					
Charging Current ($T_A = 25^\circ\text{C}$) ($V_{CC} = 5.0 \text{ V}$) ($V_{CC} = 40 \text{ V}$)	I_{chg}	20 20	– –	50 70	μA
Discharging Current ($T_A = 25^\circ\text{C}$) ($V_{CC} = 5.0 \text{ V}$) ($V_{CC} = 40 \text{ V}$)	I_{dis}	150 150	– –	250 350	μA
Oscillator Voltage Swing ($T_A = 25^\circ\text{C}$) ($V_{CC} = 5.0 \text{ V}$)	V_{osc}	–	0.5	–	V
Ratio of Charge/Discharge Time	t_{chg}/t_{dis}	–	6.0	–	–
CURRENT LIMIT					
Current-Limit Sense Voltage ($T_A = 25^\circ\text{C}$) ($V_{CC} - V_{ipk}$ Sense)	V_{CLS}	250	–	350	mV
OUTPUT SWITCH					
Output Saturation Voltage 1 ($I_{SW} = 1.0 \text{ A}$, Pin 15 tied to Pin 16)	V_{sat1}	–	0.93	1.3	V
Output Saturation Voltage 2 ($I_{SW} = 1.0 \text{ A}$, $I_{15} = 50 \text{ mA}$)	V_{sat2}	–	0.5	0.7	V
Output Transistor Current Gain ($T_A = 25^\circ\text{C}$) ($I_C = 1.0 \text{ A}$, $V_{CE} = 5.0 \text{ V}$)	h_{FE}	–	70	–	–
Output Leakage Current ($T_A = 25^\circ\text{C}$) ($V_{CE} = 40 \text{ V}$)	$I_{C(off)}$	–	10	–	nA
POWER DIODE					
Forward Voltage Drop ($I_D = 1.0 \text{ A}$)	V_D	–	1.25	1.5	V
Diode Leakage Current ($T_A = 25^\circ\text{C}$) ($V_{DR} = 40 \text{ V}$)	I_{DR}	–	10	–	nA
COMPARATOR					
Input Offset Voltage ($V_{CM} = V_{ref}$)	V_{IO}	–	1.5	15	mV
Input Bias Current ($V_{CM} = V_{ref}$)	I_{IB}	–	35	200	nA
Input Offset Current ($V_{CM} = V_{ref}$)	I_{IO}	–	5.0	75	nA
Common Mode Voltage Range ($T_A = 25^\circ\text{C}$)	V_{ICR}	0	–	$V_{CC} - 2.0$	V
Power-Supply Rejection Ratio ($T_A = 25^\circ\text{C}$) ($3.0 \text{ V} \leq V_{CC} \leq 40 \text{ V}$)	PSRR	70	96	–	dB
OUTPUT OPERATION AMPLIFIER					
Input Offset Voltage ($V_{CM} = 2.5 \text{ V}$)	V_{IO}	–	4.0	15	mV
Input Bias Current ($V_{CM} = 2.5 \text{ V}$)	I_{IB}	–	30	200	nA
Input Offset Current ($V_{CM} = 2.5 \text{ V}$)	I_{IO}	–	5.0	75	nA
Voltage Gain + ($T_A = 25^\circ\text{C}$) ($R_L = 2.0 \text{ k}\Omega$ to Gnd, $1.0 \text{ V} \leq V_O \leq 2.5 \text{ V}$)	A_{VOL+}	25	250	–	V/mV
Voltage Gain – ($T_A = 25^\circ\text{C}$) ($R_L = 2.0 \text{ k}\Omega$ to V_{CC} (Op Amp), $1.0 \text{ V} \leq V_O \leq 2.5 \text{ V}$)	A_{VOL-}	25	250	–	V/mV
Common Mode Voltage Range ($T_A = 25^\circ\text{C}$)	V_{ICR}	0	–	$V_{CC} - 2.0$	V
Common Mode Rejection Ratio ($T_A = 25^\circ\text{C}$) ($V_{CM} = 0 \text{ V}$ to 3.0 V)	CMRR	76	100	–	dB
Power-Supply Rejection Ratio ($T_A = 25^\circ\text{C}$) ($3.0 \text{ V} \leq V_{CC}$ (Op Amp) $\leq 40 \text{ V}$)	PSRR	76	100	–	dB
Output Source Current ($T_A = 25^\circ\text{C}$)	I_{Source}	75	150	–	mA
Output Sink Current ($T_A = 25^\circ\text{C}$)	I_{Sink}	10	35	–	mA
Slew Rate ($T_A = 25^\circ\text{C}$)	SR	–	0.6	–	V/ μs
Output Low Voltage ($T_A = 25^\circ\text{C}$, $I_L = -5.0 \text{ mA}$)	V_{OL}	–	–	1.0	V
Output High Voltage ($T_A = 25^\circ\text{C}$, $I_L = 50 \text{ mA}$)	V_{OH}	V_{CC} (Op Amp) – 3.0	–	–	V

UA78S40

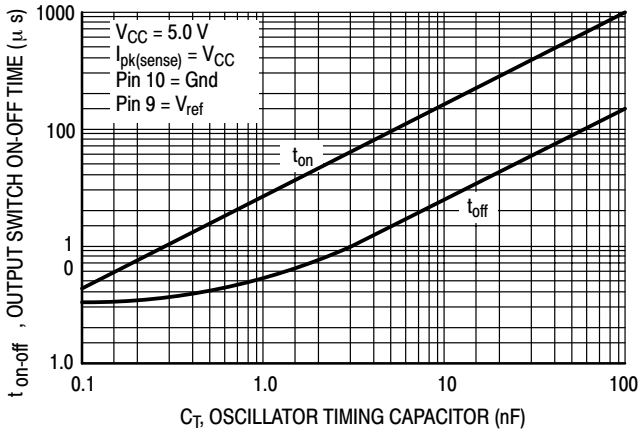


Figure 2. Output Switch On/Off Time versus Oscillator Timing Capacitor

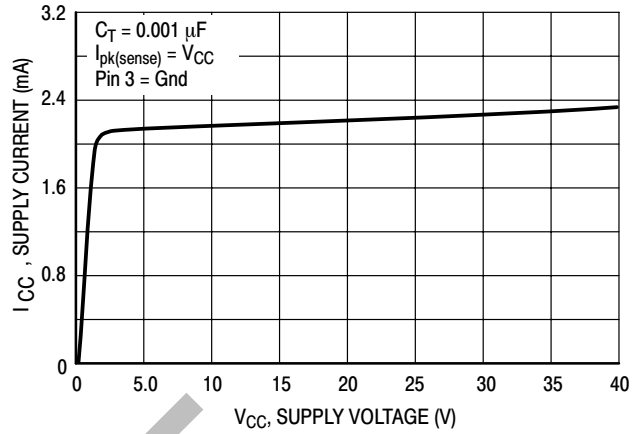


Figure 3. Standby Supply Current versus Supply Voltage

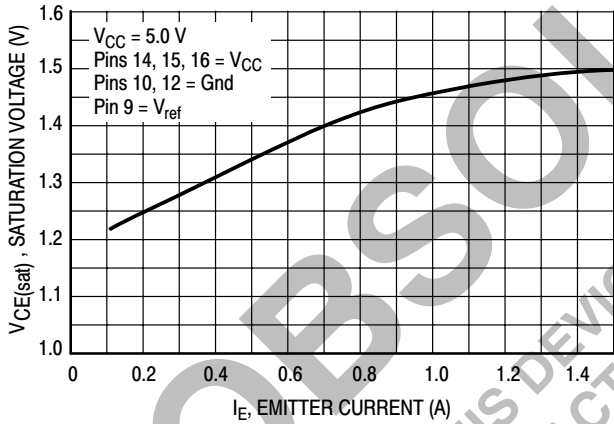


Figure 4. Emitter-Follower Configuration Output Switch Saturation Voltage versus Emitter Current

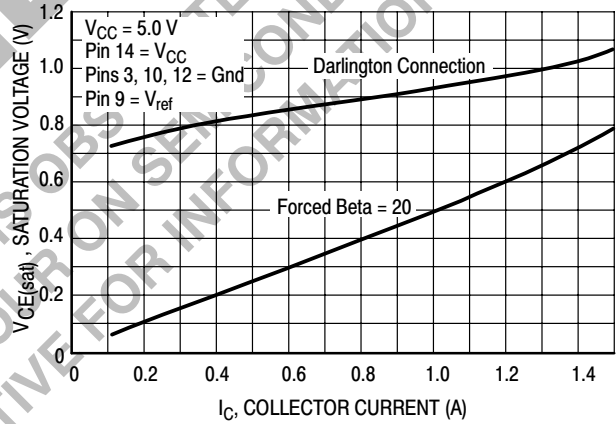


Figure 5. Common-Emitter Configuration Output Switch Saturation Voltage versus Collector Current

UA78S40

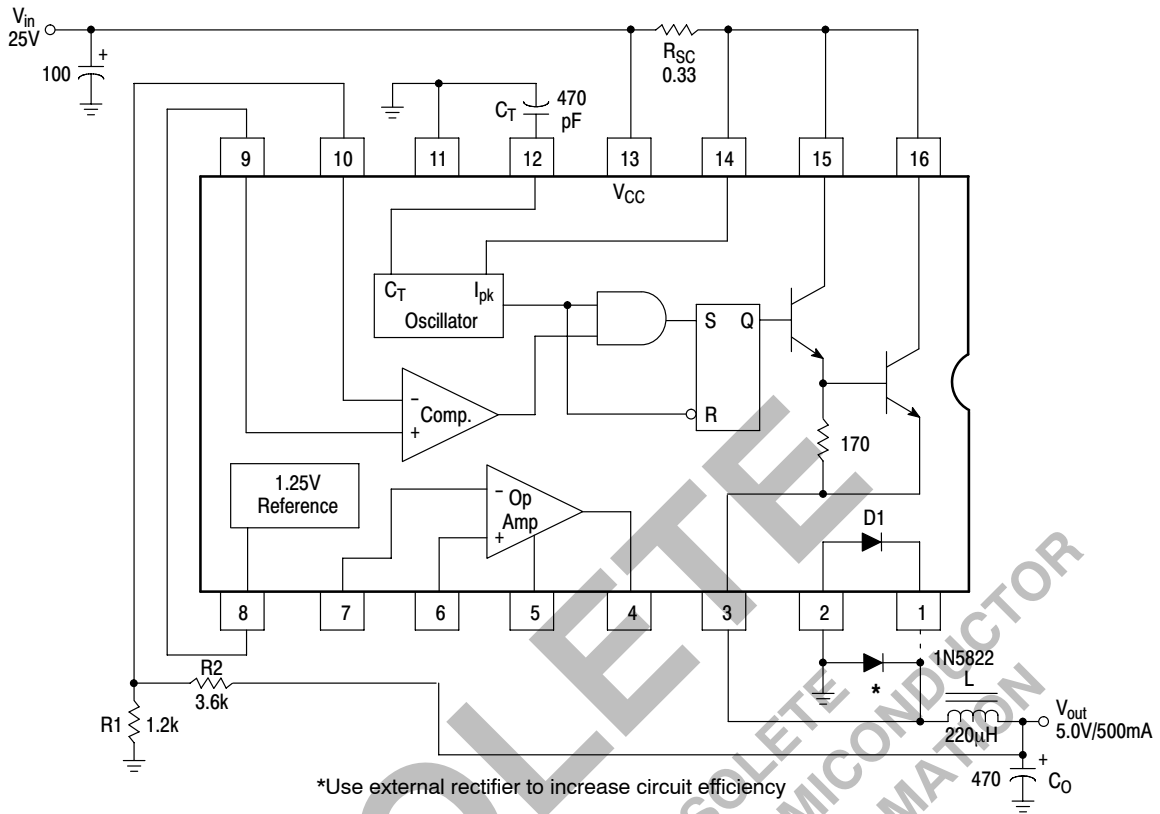


Figure 6. Step-Down Converter

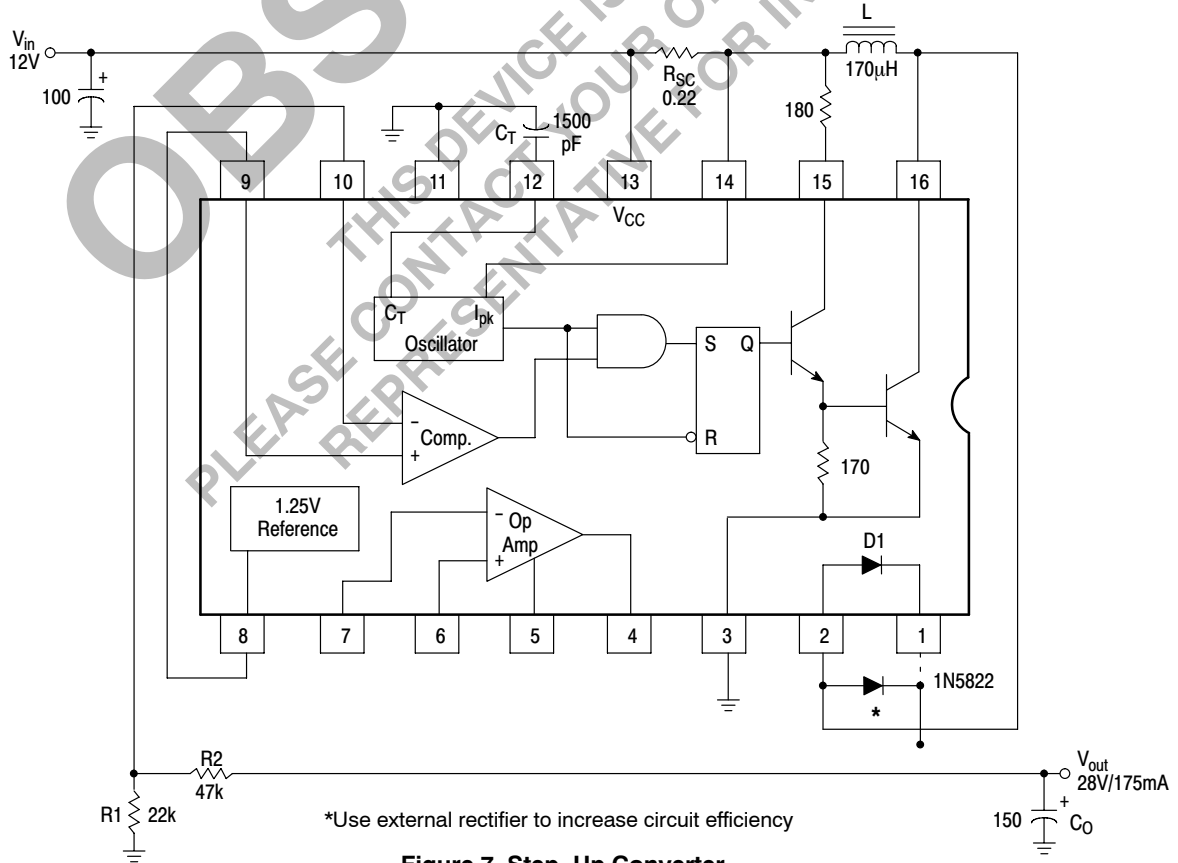


Figure 7. Step-Up Converter

UA78S40

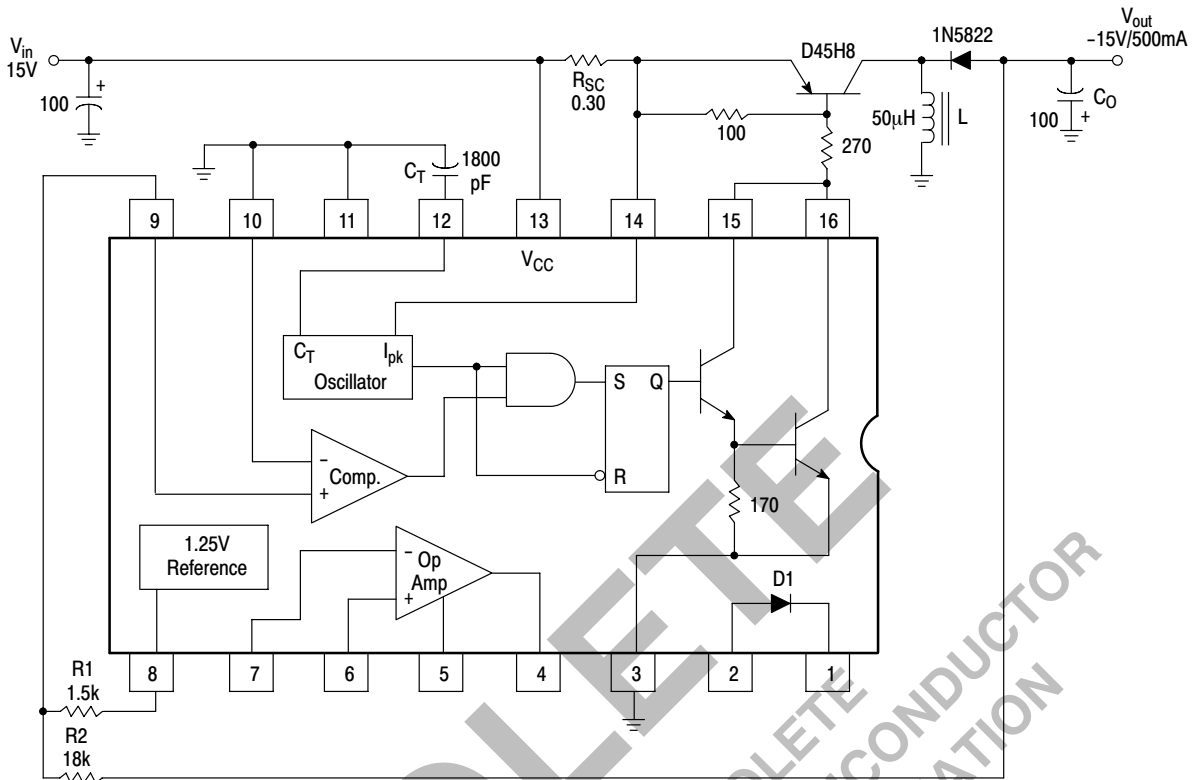


Figure 8. Inverting Converter

Design Formula Table

Calculation	Step-Down	Step-Up	Inverting
$\frac{t_{on}}{t_{off}}$	$\frac{V_{out} + V_F}{V_{in(min)} - V_{sat} - V_{out}}$	$\frac{V_{out} - V_F}{V_{in(min)} - V_{sat}}$	$\frac{V_{out} + V_F}{V_{in(min)} - V_{sat}}$
$(t_{on} + t_{off})_{max}$	$\frac{I}{f_{min}}$	$\frac{I}{f_{min}}$	$\frac{I}{f_{min}}$
C_T	$4 \times 10^5 t_{on}$	$4 \times 10^5 t_{on}$	$4 \times 10^5 t_{on}$
$I_{pk(switch)}$	$2 I_{out(max)}$	$2 I_{out(max)} \left(\frac{t_{on} - t_{off}}{t_{off}} \right)$	$2 I_{out(max)} \left(\frac{t_{on} + t_{off}}{t_{off}} \right)$
R_{SC}	$\frac{0.33}{I_{pk(switch)}}$	$\frac{0.33}{I_{pk(switch)}}$	$\frac{0.33}{I_{pk(switch)}}$
$L_{(min)}$	$\left(\frac{V_{in(min)} - V_{sat} - V_{out}}{I_{pk(switch)}} \right) t_{on(max)}$	$\left(\frac{V_{in(min)} - V_{sat}}{I_{pk(switch)}} \right) t_{on(max)}$	$\left(\frac{V_{in(min)} - V_{sat}}{I_{pk(switch)}} \right) t_{on(max)}$
C_O	$\frac{I_{pk(switch)} (t_{on} + t_{off})}{8 V_{ripple(pp)}}$	$\approx \frac{I_{out} t_{on}}{V_{ripple}}$	$\approx \frac{I_{out} t_{on}}{V_{ripple}}$

V_{sat} = Saturation voltage of the output switch. V_F = Forward voltage drop of the ringback rectifier.

The following power supply characteristics must be chosen:

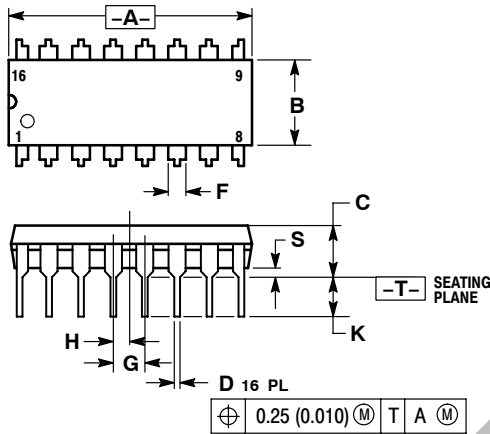
- V_{in} - Nominal input voltage. If this voltage is not constant, then use $V_{in(max)}$ for step-down and $V_{in(min)}$ for step-up and inverting convertor.
- V_{out} - Desired output voltage: $V_{out} = 1.25 \left(1 + \frac{R_2}{R_1} \right)$ for step-down and step-up: $V_{out} = \frac{1.25 R_2}{R_1}$ for inverting.
- I_{out} - Desired output current.
- f_{min} - Minimum desired output switching frequency at the selected values for V_{in} and I_{out} .
- $V_{ripple(pp)}$ - Desired peak-to-peak output ripple voltage. In practice, the calculated value will need to be increased due to the capacitor's equivalent series resistance and board layout. The ripple voltage should be kept to a low value since it will directly effect the line and load regulation.

See Application Note AN920 for further information

UA78S40

PACKAGE DIMENSIONS

PDIP-16
P SUFFIX
CASE 648-08
ISSUE R



NOTES:

1. DIMENSIONING AND TOLERANCING PER ANSI Y14.5M, 1982.
2. CONTROLLING DIMENSION: INCH.
3. DIMENSION L TO CENTER OF LEADS WHEN FORMED PARALLEL.
4. DIMENSION B DOES NOT INCLUDE MOLD FLASH.
5. ROUNDED CORNERS OPTIONAL.

DIM	INCHES		MILLIMETERS	
	MIN	MAX	MIN	MAX
A	0.740	0.770	18.80	19.55
B	0.250	0.270	6.35	6.85
C	0.145	0.175	3.69	4.44
D	0.015	0.021	0.39	0.53
F	0.040	0.70	1.02	1.77
G	0.100 BSC		2.54 BSC	
H	0.050 BSC		1.27 BSC	
J	0.008	0.015	0.21	0.38
K	0.110	0.130	2.80	3.30
L	0.295	0.305	7.50	7.74
M	0°	10°	0°	10°
S	0.020	0.040	0.51	1.01

ON Semiconductor and are registered trademarks of Semiconductor Components Industries, LLC (SCILLC). SCILLC reserves the right to make changes without further notice to any products herein. SCILLC makes no warranty, representation or guarantee regarding the suitability of its products for any particular purpose, nor does SCILLC assume any liability arising out of the application or use of any product or circuit, and specifically disclaims any and all liability, including without limitation special, consequential or incidental damages. "Typical" parameters which may be provided in SCILLC data sheets and/or specifications can and do vary in different applications and actual performance may vary over time. All operating parameters, including "Typicals" must be validated for each customer application by customer's technical experts. SCILLC does not convey any license under its patent rights nor the rights of others. SCILLC products are not designed, intended, or authorized for use as components in systems intended for surgical implant into the body, or other applications intended to support or sustain life, or for any other application in which the failure of the SCILLC product could create a situation where personal injury or death may occur. Should Buyer purchase or use SCILLC products for any such unintended or unauthorized application, Buyer shall indemnify and hold SCILLC and its officers, employees, subsidiaries, affiliates, and distributors harmless against all claims, costs, damages, and expenses, and reasonable attorney fees arising out of, directly or indirectly, any claim of personal injury or death associated with such unintended or unauthorized use, even if such claim alleges that SCILLC was negligent regarding the design or manufacture of the part. SCILLC is an Equal Opportunity/Affirmative Action Employer. This literature is subject to all applicable copyright laws and is not for resale in any manner.

PUBLICATION ORDERING INFORMATION

LITERATURE FULFILLMENT:
Literature Distribution Center for ON Semiconductor
P.O. Box 5163, Denver, Colorado 80217 USA
Phone: 303-675-2175 or 800-344-3860 Toll Free USA/Canada
Fax: 303-675-2176 or 800-344-3867 Toll Free USA/Canada
Email: orderlit@onsemi.com

N. American Technical Support: 800-282-9855 Toll Free
USA/Canada
Europe, Middle East and Africa Technical Support:
Phone: 421 33 790 2910
Japan Customer Focus Center
Phone: 81-3-5773-3850

ON Semiconductor Website: www.onsemi.com
Order Literature: <http://www.onsemi.com/orderlit>
For additional information, please contact your local Sales Representative