

# MOSFET – Power, N-Channel

60 V, 50 A, 22 mΩ

## RFP50N06

These N-Channel power MOSFETs are manufactured using the MegaFET process. This process, which uses feature sizes approaching those of LSI integrated circuits gives optimum utilization of silicon, resulting in outstanding performance. They were designed for use in applications such as switching regulators, switching converters, motor drivers, and relay drivers. These transistors can be operated directly from integrated circuits.

Formerly developed type TA49018.

### Features

- 50 A, 60 V
- $r_{DS(ON)} = 0.022 \Omega$
- Temperature Compensating PSpice™ Model
- Peak Current vs. Pulse Width Curve
- UIS Rating Curve
- 175°C Operating Temperature
- This Device is Pb-Free and is RoHS Compliant

### Specifications

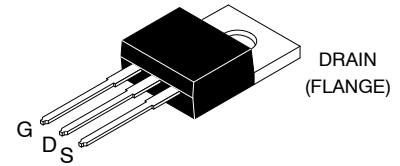
#### ABSOLUTE MAXIMUM RATINGS

( $T_C = 25^\circ\text{C}$ , unless otherwise specified)

Symbol	Parameter		Rating	Unit
$V_{DSS}$	Drain to Source Voltage (Note 1)		60	V
$V_{DGR}$	Drain to Gate Voltage ( $R_{GS} = 20 \text{ k}\Omega$ ) (Note 1)		60	V
$V_{GS}$	Gate to Source Voltage		$\pm 20$	V
$I_D$	Drain Current	Continuous (Figure 2)	50	A
		Pulsed (Figure 5)		
$E_{AS}$	Pulsed Avalanche Rating		(Figure 6)	
$P_D$	Power Dissipation		131	W
	Linear Derating Factor		0.877	
$T_J, T_{STG}$	Operating and Storage Temperature		-55 to 175	$^\circ\text{C}$
$T_L$	Maximum Temperature for Soldering Leads at 0.063 inch (1.6 mm) from Case for 10 s		300	$^\circ\text{C}$
$T_{pkg}$	Maximum Temperature for Soldering Package Body for 10 s, see Techbrief 334		260	$^\circ\text{C}$

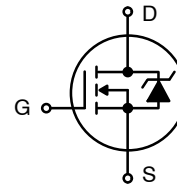
Stresses exceeding those listed in the Maximum Ratings table may damage the device. If any of these limits are exceeded, device functionality should not be assumed, damage may occur and reliability may be affected.

1.  $T_J = 25^\circ\text{C}$  to  $150^\circ\text{C}$

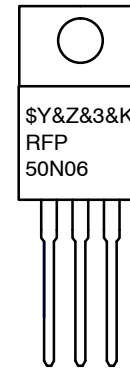


TO-220-3LD  
CASE 340AT

### SYMBOL



### MARKING DIAGRAM



- \$Y = onsemi Logo
- &Z = Assembly Plant Code
- &3 = Date Code (Year & Week)
- &K = Lot
- RFP50N06 = Specific Device Code

### ORDERING INFORMATION

Device	Package	Shipping
RFP50N06	TO-220-3LD (Pb-Free)	800 units / Tube

# RFP50N06

## ELECTRICAL CHARACTERISTICS (T<sub>C</sub> = 25°C, unless otherwise noted)

Parameter	Symbol	Test Conditions	Min	Typ	Max	Units	
Drain to Source Breakdown Voltage	BV <sub>DSS</sub>	I <sub>D</sub> = 250 μA, V <sub>GS</sub> = 0 V (Figure 11)	60	–	–	V	
Gate to Source Threshold Voltage	V <sub>GS(TH)</sub>	V <sub>GS</sub> = V <sub>DS</sub> , I <sub>D</sub> = 250 μA (Figure 10)	2	–	4	V	
Zero Gate Voltage Drain Current	I <sub>DSS</sub>	V <sub>DS</sub> = 60 V, V <sub>GS</sub> = 0 V	T <sub>C</sub> = 25°C	–	–	1	μA
			T <sub>C</sub> = 150°C	–	–	50	μA
Gate to Source Leakage Current	I <sub>GSS</sub>	V <sub>GS</sub> = ±20 V	–	–	±100	nA	
Drain to Source On Resistance	r <sub>DS(ON)</sub>	I <sub>D</sub> = 50 A, V <sub>GS</sub> = 10 V (Figure 9)	–	–	0.022	Ω	
Turn-On Time	t <sub>ON</sub>	V <sub>DD</sub> = 30 V, I <sub>D</sub> = 50 A R <sub>L</sub> = 0.6 Ω, V <sub>GS</sub> = 10 V R <sub>GS</sub> = 3.6 Ω (Figure 13)	–	–	95	ns	
Turn-On Delay Time	t <sub>d(ON)</sub>		–	12	–	ns	
Rise Time	t <sub>r</sub>		–	55	–	ns	
Turn-Off Delay Time	t <sub>d(OFF)</sub>		–	37	–	ns	
Fall Time	t <sub>f</sub>		–	13	–	ns	
Turn-Off Time	t <sub>OFF</sub>		–	–	75	ns	
Total Gate Charge	Q <sub>g(TOT)</sub>	V <sub>GS</sub> = 0 to 20 V	–	125	150	nC	
Gate Charge at 10V	Q <sub>g(10)</sub>	V <sub>GS</sub> = 0 to 10 V					
Threshold Gate Charge	Q <sub>g(TH)</sub>	V <sub>GS</sub> = 0 to 2 V					
		V <sub>DD</sub> = 48 V, I <sub>D</sub> = 50 A, R <sub>L</sub> = 0.96 Ω I <sub>g(REF)</sub> = 1.45 mA (Figure 13)					
Input Capacitance	C <sub>ISS</sub>	V <sub>DS</sub> = 25 V, V <sub>GS</sub> = 0 V	–	2020	–	pF	
Output Capacitance	C <sub>OSS</sub>	f = 1 MHz	–	600	–	pF	
Reverse Transfer Capacitance	C <sub>RSS</sub>	(Figure 12)	–	200	–	pF	
Thermal Resistance Junction to Case	R <sub>θJC</sub>	(Figure 3)	–	–	1.14	°C/W	
Thermal Resistance Junction to Ambient	R <sub>θJA</sub>	TO-220	–	–	62	°C/W	

## SOURCE TO DRAIN DIODE CHARACTERISTICS

Source to Drain Diode Voltage	V <sub>SD</sub>	I <sub>SD</sub> = 50 A	–	–	1.5	V
Output Capacitance	t <sub>rr</sub>	I <sub>SD</sub> = 50 A, dI <sub>SD</sub> /dt = 100 A/μs	–	–	125	ns

Product parametric performance is indicated in the Electrical Characteristics for the listed test conditions, unless otherwise noted. Product performance may not be indicated by the Electrical Characteristics if operated under different conditions.

TYPICAL PERFORMANCE CHARACTERISTICS (unless otherwise specified)

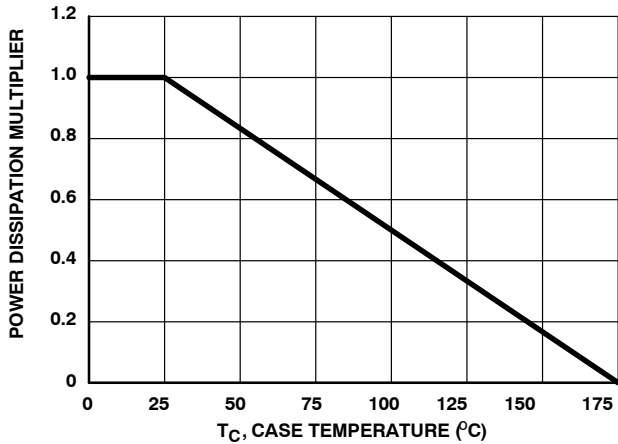


Figure 1. Normalized Power Dissipation vs. Case Temperature

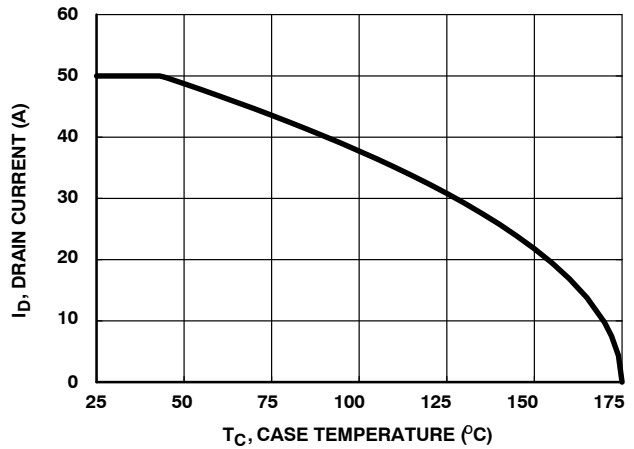


Figure 2. Maximum Continuous Drain Current vs. Case Temperature

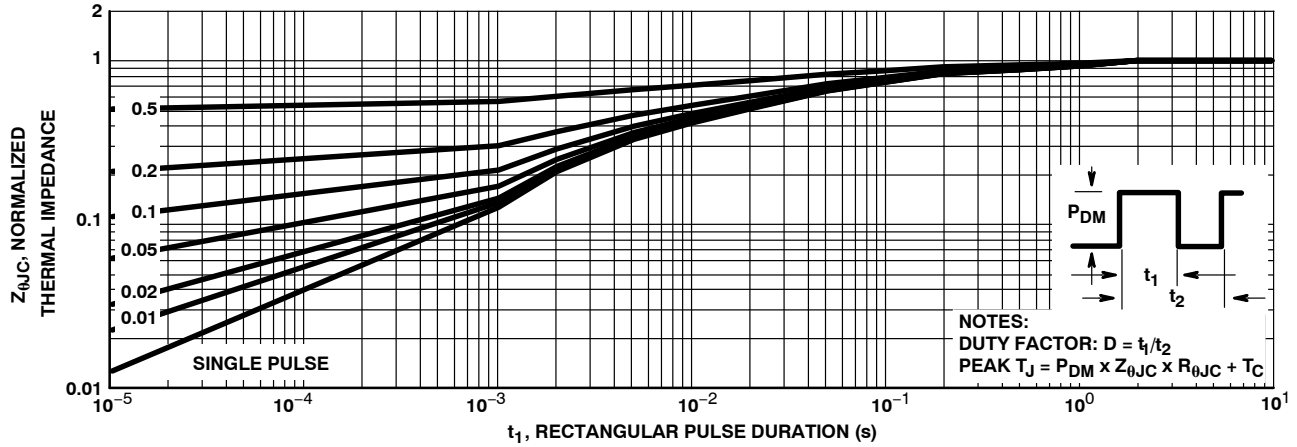


Figure 3. Normalized Maximum Transient Thermal Impedance

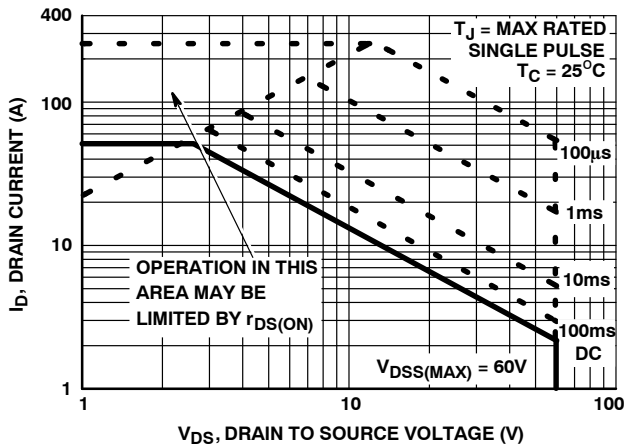


Figure 4. Forward Bias Safe Operating Area

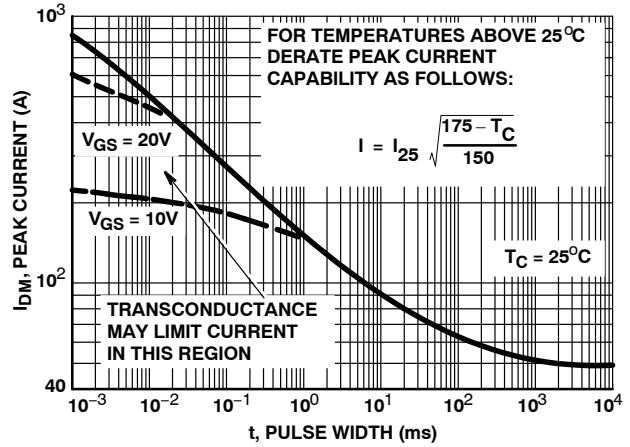


Figure 5. Peak Current Capability

TYPICAL PERFORMANCE CHARACTERISTICS (unless otherwise specified) (continued)

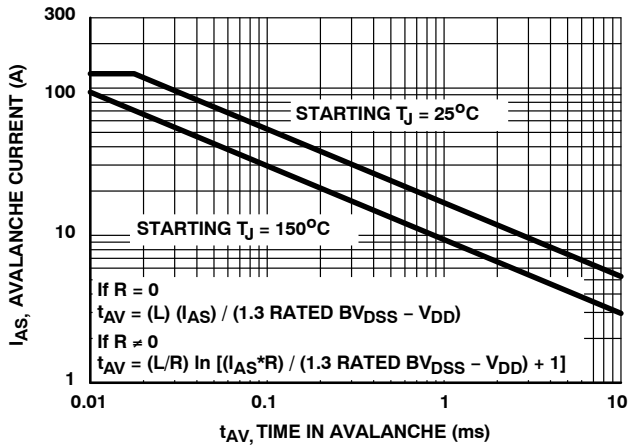


Figure 6. Unclamped Inductive Switching Capability

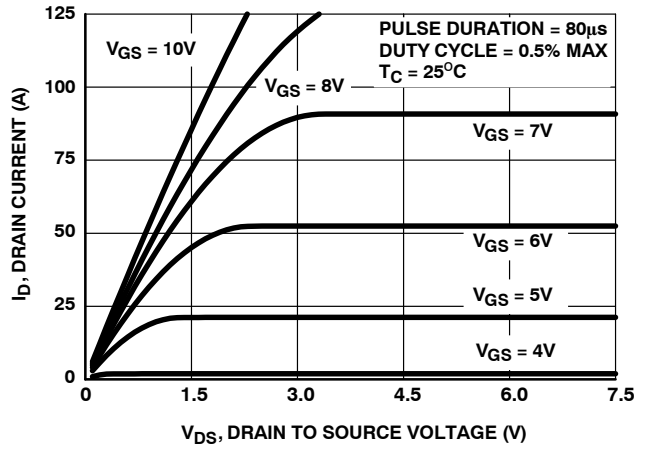


Figure 7. Saturation Characteristics

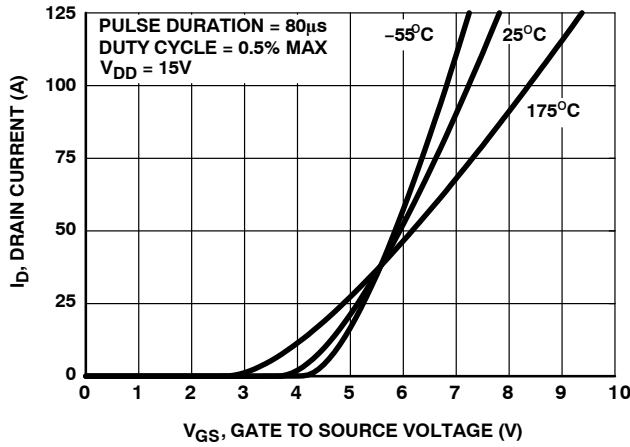


Figure 8. Transfer Characteristics

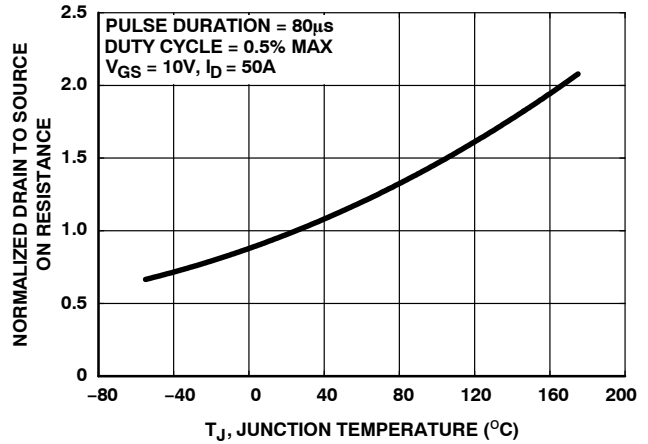


Figure 9. Normalized Drain to Source On Resistance vs. Junction Temperature

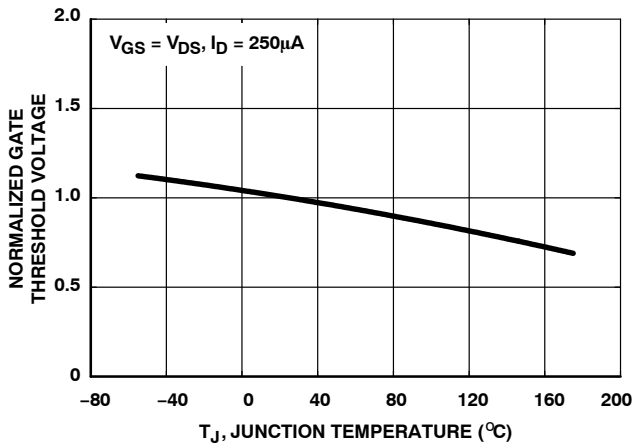


Figure 10. Normalized Gate Threshold Voltage vs. Junction Temperature

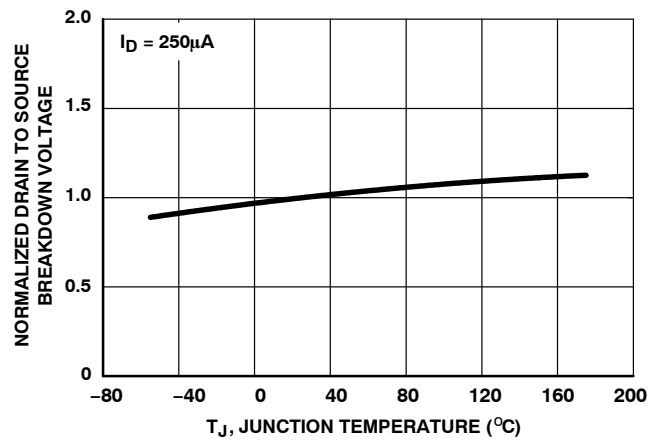


Figure 11. Normalized Drain to Source Breakdown Voltage vs. Junction Temperature

TYPICAL PERFORMANCE CHARACTERISTICS (unless otherwise specified) (continued)

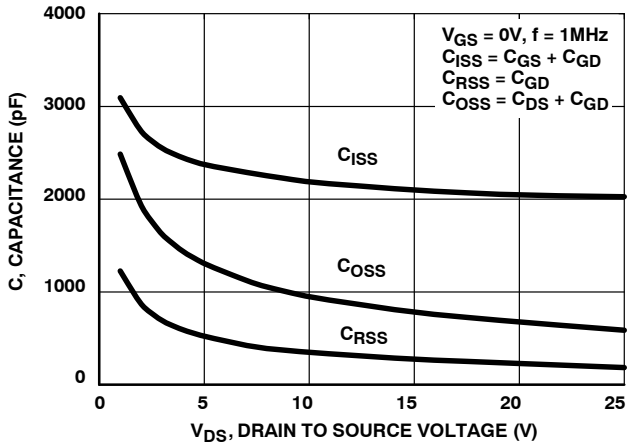


Figure 12. Capacitance vs. Drain to Source Voltage

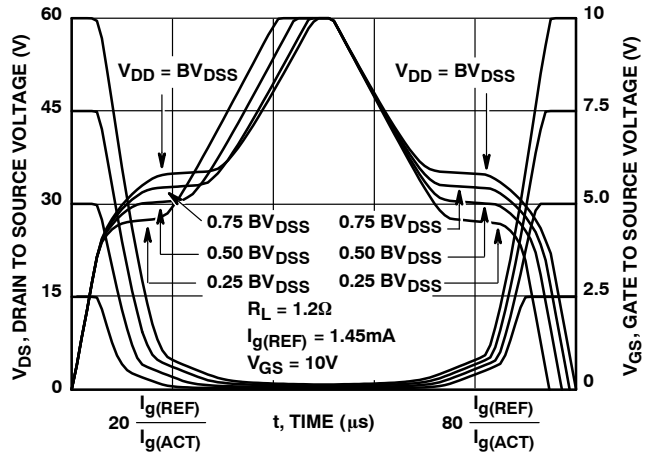


Figure 13. Normalized Switching Waveforms for Constant Gate Current

TEST CIRCUITS AND WAVEFORMS

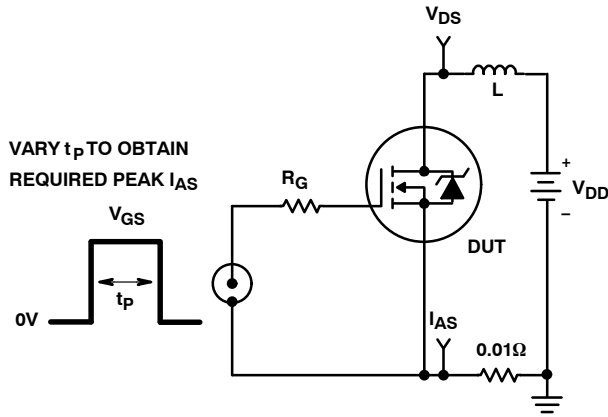


Figure 14. Unclamped Energy Test Circuit

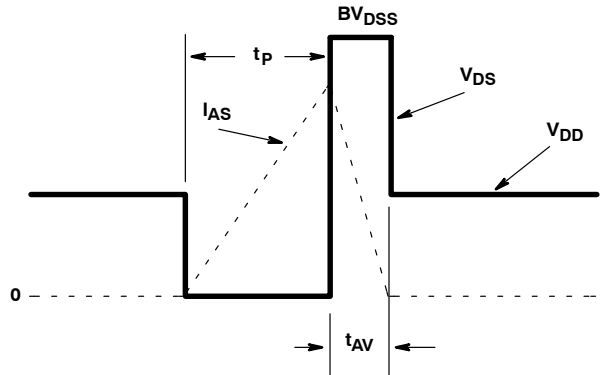


Figure 15. Unclamped Energy Waveforms

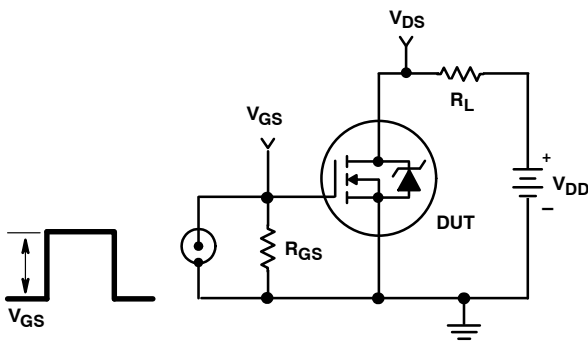


Figure 16. Switching Time Test Circuit

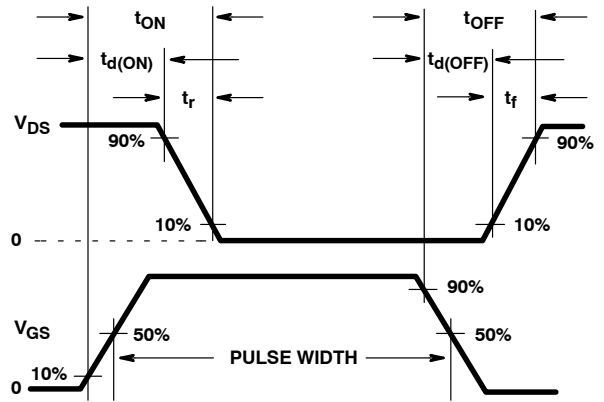


Figure 17. Switching Waveforms

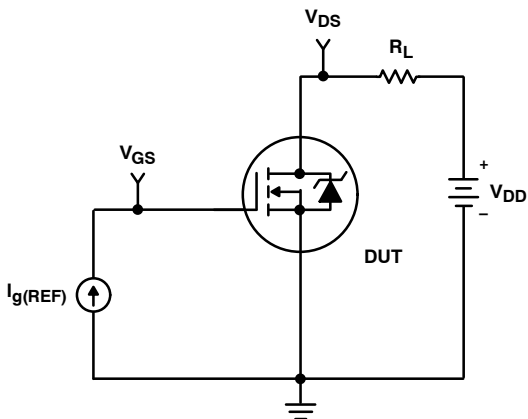


Figure 18. Gate Charge Test Circuit

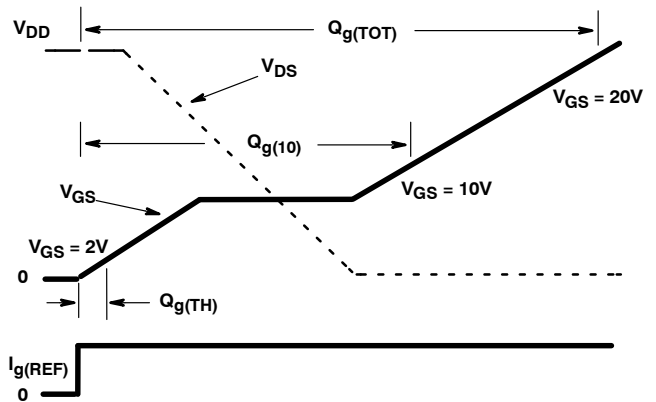


Figure 19. Gate Charge Waveforms

# RFP50N06

## PSPICE ELECTRICAL MODEL

.SUBCKT RFP50N06213

REV 2/22/93

\*NOM TEMP = 25°C

CA 12 8 3.68e-9  
CB 15 14 3.625e-9  
CIN 6 8 1.98e-9

DBODY 7 5 DBDMOD  
DBREAK 5 11 DBKMOD  
DPLCAP 10 5 DPLCAPMOD

EBREAK 11 7 17 18 64.59  
EDS 14 8 5 8 1  
EGS 13 8 6 8 1  
ESG 6 10 6 8 1  
EVTO 20 6 18 8 1

IT 8 17 1

LDRAIN 2 5 1e-9  
LGATE 1 9 5.65e-9  
LSOURCE 3 7 4.13e-9

MOS1 16 6 8 8 MOSMOD M=0.99  
MOS2 16 21 8 8 MOSMOD M=0.01

RBREAK 17 18 RBKMOD 1  
RDRAIN 5 16 RDSMOD 1e-4  
RGATE 9 20 0.690  
RIN 6 8 1e9  
RSOURCE 8 7 RDSMOD 12e-3  
RVTO 18 19 RVTOMOD 1

S1A 6 12 13 8 S1AMOD  
S1B 13 12 13 8 S1BMOD  
S2A 6 15 14 13 S2AMOD  
S2B 13 15 14 13 S2BMOD

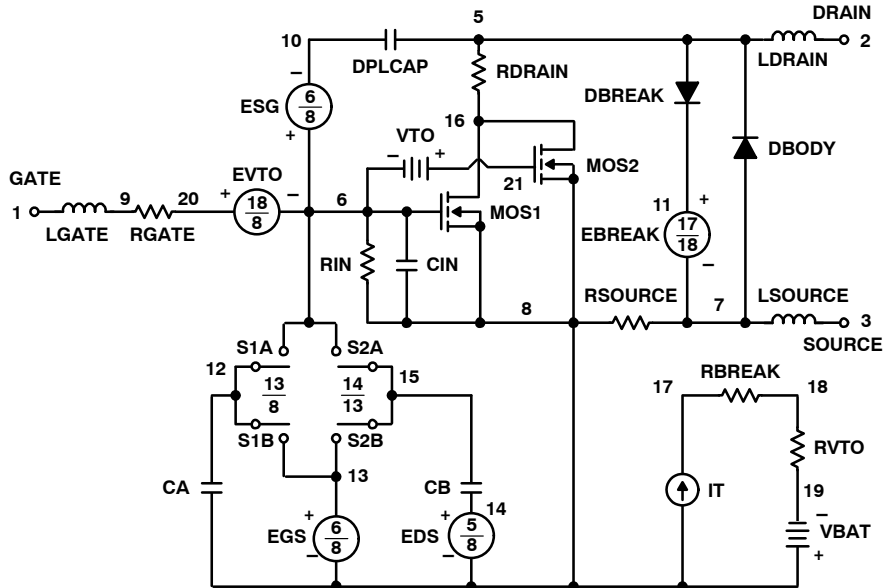
VBAT 8 19 DC 1  
VTO 21 6 0.678

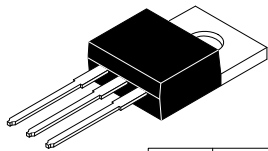
.MODEL DBDMOD D (IS=9.85e-13 RS=4.91e-3 TRS1=2.07e-3 TRS2=2.51e-7 CJO=2.05e-9 TT=4.33e-8)  
.MODEL DBKMOD D (RS=1.98e-1 TRS1=2.35E-4 TRS2=-3.83e-6)  
.MODEL DPLCAPMOD D (CJO=1.42e-9 IS=1e-30 N=10)  
.MODEL MOSMOD NMOS (VTO=3.65 KP=35 IS=1e-30 N=10 TOX=1 L=1u W=1u)  
.MODEL RBKMOD RES (TC1=1.23e-3 TC2=-2.34e-7)  
.MODEL RDSMOD RES (TC1=5.01e-3 TC2=1.49e-5)  
.MODEL RVTOMOD RES (TC1=-5.03e-3 TC2=-5.16e-6)  
.MODEL S1AMOD VSWITCH (RON=1e-5 ROFF=0.1 VON=-6.75 VOFF=-2.5)  
.MODEL S1BMOD VSWITCH (RON=1e-5 ROFF=0.1 VON=-2.5 VOFF=-6.75)  
.MODEL S2AMOD VSWITCH (RON=1e-5 ROFF=0.1 VON=-2.7 VOFF=2.3)  
.MODEL S2BMOD VSWITCH (RON=1e-5 ROFF=0.1 VON=2.3 VOFF=-2.7)

.ENDS

NOTE: For further discussion of the PSPICE model consult **A New PSPICE Sub-Circuit for the Power MOSFET Featuring Global Temperature Options**; authors, William J. Hepp and C. Frank Wheatley.

PSPICE is a trademark of MicroSim Corporation.

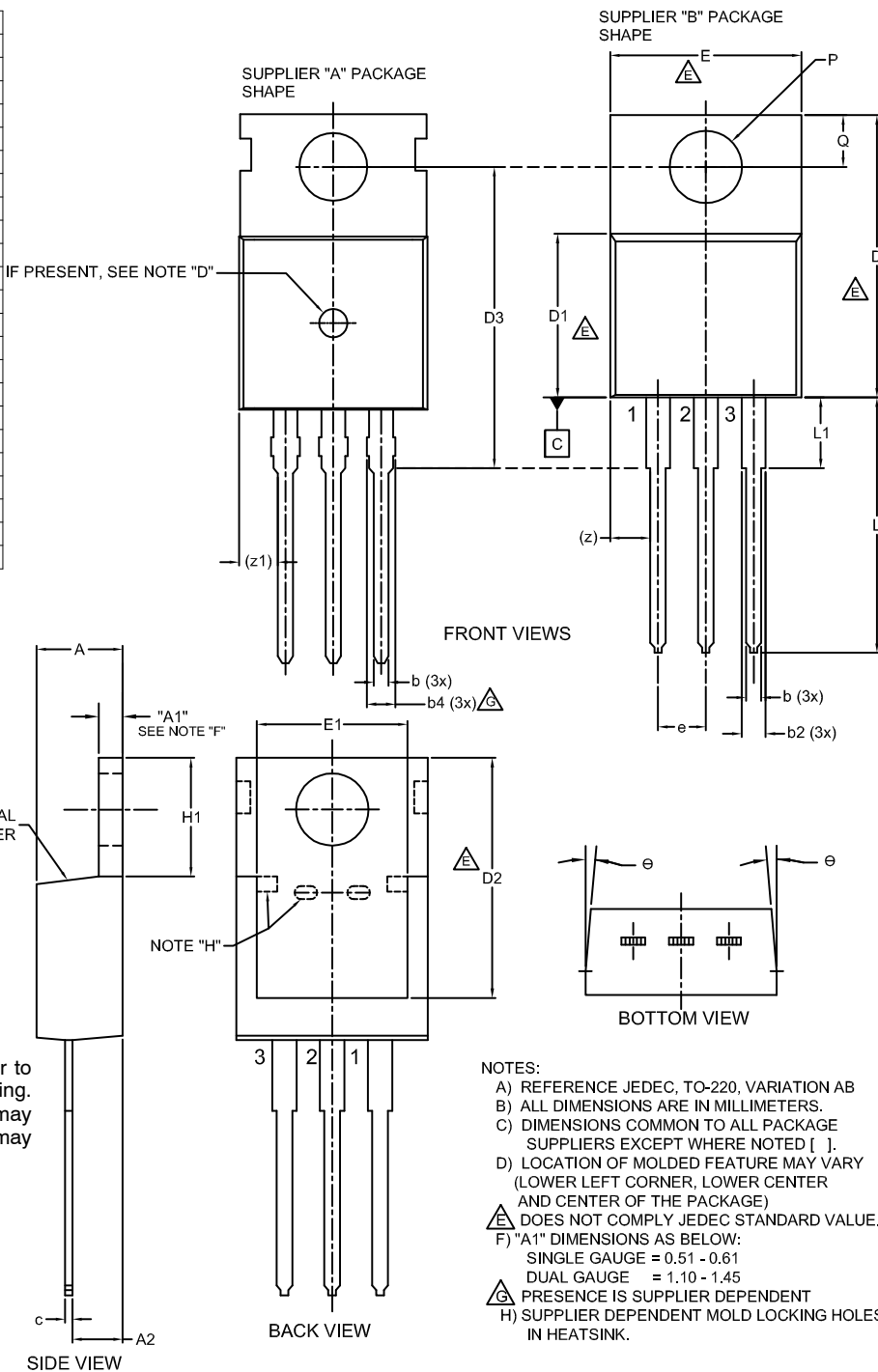




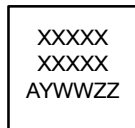
TO-220-3LD  
CASE 340AT  
ISSUE B

DATE 08 AUG 2022

DIM	MILLIMETERS		
	MIN.	NOM.	MAX.
A	4.00	--	4.70
A1	SEE NOTE "F"		
A2	2.10	--	2.85
b	0.55	--	1.00
b2	1.10	--	1.62
b4	1.42	--	1.62
c	0.36	--	0.60
D	13.90	--	16.30
D1	8.13	--	9.40
D2	11.50	--	14.30
D3	15.42	--	16.51
E	9.65	--	10.67
E1	7.59	--	8.65
e	2.40	--	2.67
H1	6.06	--	6.69
L	12.70	--	14.04
L1	2.70	--	4.10
P	3.50	--	4.00
Q	2.50	--	3.40
z	2.13 REF		
z1	2.06 REF		
θ	3°	--	5°



GENERIC MARKING DIAGRAM\*



XXXX = Specific Device Code  
 A = Assembly Location  
 Y = Year  
 WW = Work Week  
 ZZ = Assembly Lot Code

\*This information is generic. Please refer to device data sheet for actual part marking. Pb-Free indicator, "G" or microdot "•", may or may not be present. Some products may not follow the Generic Marking.

NOTES:

- A) REFERENCE JEDEC, TO-220, VARIATION AB
- B) ALL DIMENSIONS ARE IN MILLIMETERS.
- C) DIMENSIONS COMMON TO ALL PACKAGE SUPPLIERS EXCEPT WHERE NOTED [ ].
- D) LOCATION OF MOLDED FEATURE MAY VARY (LOWER LEFT CORNER, LOWER CENTER AND CENTER OF THE PACKAGE)
- ⚠ DOES NOT COMPLY JEDEC STANDARD VALUE.
- F) "A1" DIMENSIONS AS BELOW:  
 SINGLE GAUGE = 0.51 - 0.61  
 DUAL GAUGE = 1.10 - 1.45
- ⚠ PRESENCE IS SUPPLIER DEPENDENT
- H) SUPPLIER DEPENDENT MOLD LOCKING HOLES IN HEATSINK.

DOCUMENT NUMBER:	98AON13818G	Electronic versions are uncontrolled except when accessed directly from the Document Repository. Printed versions are uncontrolled except when stamped "CONTROLLED COPY" in red.
DESCRIPTION:	TO-220-3LD	PAGE 1 OF 1

onsemi and onsemi are trademarks of Semiconductor Components Industries, LLC dba onsemi or its subsidiaries in the United States and/or other countries. onsemi reserves the right to make changes without further notice to any products herein. onsemi makes no warranty, representation or guarantee regarding the suitability of its products for any particular purpose, nor does onsemi assume any liability arising out of the application or use of any product or circuit, and specifically disclaims any and all liability, including without limitation special, consequential or incidental damages. onsemi does not convey any license under its patent rights nor the rights of others.



**onsemi**, **Onsemi**, and other names, marks, and brands are registered and/or common law trademarks of Semiconductor Components Industries, LLC dba "**onsemi**" or its affiliates and/or subsidiaries in the United States and/or other countries. **onsemi** owns the rights to a number of patents, trademarks, copyrights, trade secrets, and other intellectual property. A listing of **onsemi**'s product/patent coverage may be accessed at [www.onsemi.com/site/pdf/Patent-Marking.pdf](http://www.onsemi.com/site/pdf/Patent-Marking.pdf). **onsemi** reserves the right to make changes at any time to any products or information herein, without notice. The information herein is provided "as-is" and **onsemi** makes no warranty, representation or guarantee regarding the accuracy of the information, product features, availability, functionality, or suitability of its products for any particular purpose, nor does **onsemi** assume any liability arising out of the application or use of any product or circuit, and specifically disclaims any and all liability, including without limitation special, consequential or incidental damages. Buyer is responsible for its products and applications using **onsemi** products, including compliance with all laws, regulations and safety requirements or standards, regardless of any support or applications information provided by **onsemi**. "Typical" parameters which may be provided in **onsemi** data sheets and/or specifications can and do vary in different applications and actual performance may vary over time. All operating parameters, including "Typicals" must be validated for each customer application by customer's technical experts. **onsemi** does not convey any license under any of its intellectual property rights nor the rights of others. **onsemi** products are not designed, intended, or authorized for use as a critical component in life support systems or any FDA Class 3 medical devices or medical devices with a same or similar classification in a foreign jurisdiction or any devices intended for implantation in the human body. Should Buyer purchase or use **onsemi** products for any such unintended or unauthorized application, Buyer shall indemnify and hold **onsemi** and its officers, employees, subsidiaries, affiliates, and distributors harmless against all claims, costs, damages, and expenses, and reasonable attorney fees arising out of, directly or indirectly, any claim of personal injury or death associated with such unintended or unauthorized use, even if such claim alleges that **onsemi** was negligent regarding the design or manufacture of the part. **onsemi** is an Equal Opportunity/Affirmative Action Employer. This literature is subject to all applicable copyright laws and is not for resale in any manner.

## ADDITIONAL INFORMATION

### TECHNICAL PUBLICATIONS:

Technical Library: [www.onsemi.com/design/resources/technical-documentation](http://www.onsemi.com/design/resources/technical-documentation)  
onsemi Website: [www.onsemi.com](http://www.onsemi.com)

### ONLINE SUPPORT: [www.onsemi.com/support](http://www.onsemi.com/support)

For additional information, please contact your local Sales Representative at [www.onsemi.com/support/sales](http://www.onsemi.com/support/sales)