

BelaSigna R281

Always-Listening, Voice Trigger Solution

Introduction

BelaSigna[®] R281 is an ultra-low-power voice trigger solution for a wide range of consumer electronic devices. In a typical application BelaSigna R281 is “always listening” and will detect a single, user-trained trigger phrase, asserting a wake-up signal when this trigger phrase is detected.

“Always-listening” key phrase detection with an average power consumption of less than 300 μ W (not including the power consumption of the microphone) preserves Standby battery life.

BelaSigna R281 is an ultra-miniature solution that is available in a 2.45 mm x 2.77 mm WLCSP package. It can be designed onto a single layer PCB with 5 mil routing and with a minimal amount of external components.

An external, I²C host controller is required to configure the device for operation.

Key Features

Proven Ultra-Low-Power Digital Signal Processing (DSP) Technology

- Audio DSP Technology Originally Developed for Hearing Aids Offers the Required Computational Power at Extremely Low Current Consumption
- < 300 μ W Average Current Consumption (not including microphone)

Mixed-Signal System-on-Chip (SoC)

- Audio-grade, Analog Input with Onboard Pre-amplifier
- Built-in, Regulated Voltages Including Onboard Microphone Bias for Power Efficient Operation
- Supports Analog or Digital Microphone Input

Interfaces and Peripherals

- I²C-based Device Configuration and Control
- GPIO Wake Signal
- Internal Oscillator

Applications

- Mobile Phones
- Tablets
- Portable Electronic Devices
- Wearables
- Toys



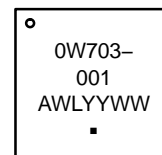
ON Semiconductor[®]

www.onsemi.com

MARKING DIAGRAM



WLCSP31
CASE 567NB



0W689-001 = Specific Device Code

A = Assembly Location

WL = Wafer Lot

YY = Year

WW = Work Week

▪ = Pb-Free Package

ORDERING INFORMATION

See detailed ordering and shipping information in the package dimensions section on page 10 of this data sheet.

BelaSigna R281

Figures and Data

Table 1. ABSOLUTE MAXIMUM RATINGS

Parameter	Symbol	Min	Max	Units
Input Voltage on any Digital Pin		-0.3	3.8	V
Input Voltage on any Analog Pin		-0.3	3.8	V
Input Voltage on any Supply Pin		-0.3	3.8	V
Current on any Digital Pin			± 5	mA
Current on any Analog Pin			± 10	mA

Stresses exceeding those listed in the Maximum Ratings table may damage the device. If any of these limits are exceeded, device functionality should not be assumed, damage may occur and reliability may be affected.

Table 2. RECOMMENDED OPERATING CONDITIONS

Parameter	Symbol	Min	Typ	Max	Units
Power Supply Applied to VBAT	VBAT	1.75	1.8	1.98	V
Power Supply Applied to VDDO	VDDO	1.62	1.8	3.63	V
Internal Oscillator Clock Frequency		1	2.56	20	MHz
Ambient Operating Temperature Range	Ta	-40		85	°C

Table 3. ESD AND LATCH-UP CHARACTERISTICS

Parameter	Conditions	Max	Units
ESD – Human Body Model	JEDEC JS – 001 – 2010, all pins	2000	V
ESD – Charged Device Model	JESD22 – C101 – E, all pins	750	V
ESD – Machine Model	JESE22 – A115 – C, all pins	250	V
Latch – Up	JEDEC STD – 78, all pins	± 100	mA

Electrical Performance Specifications

Typical Values

Unless otherwise noted, Typ values specify the typical values based on design and characterization data under normal operating conditions. Normal operating conditions include a supply voltage (VBAT) of 1.8 V and an operating temperature of 25°C. For specific blocks, the details of the normal operation conditions are described in their respective sections.

Minimum and Maximum Values

Unless otherwise noted, Min and Max values specify the designed range or measurement range and are guaranteed by design and/or characterization.

Min and Max values specified may be based on factory production test limits, design, or characterization data.

Normal Operating Conditions

Unless otherwise noted, normal operating conditions indicate an ambient temperature Ta = 25°C and a supply voltage VBAT = 1.8 V. VDDD and VDDA are calibrated to their preset factory calibration settings and correspond to their respective Typ values. VDDO is powered externally at 1.8 V. No external loads are applied to digital I/O or analog pins.

Table 4. SYSTEM DC ELECTRICAL CHARACTERISTICS

Typical operating conditions (Ta = 25°C, VBAT=VDDO=1.8 V, VDDD=1.4 V) unless otherwise noted

Parameter	Symbol	Conditions	Min	Typ	Max	Units
Average Run Mode Current	IDD	VBAT=VDDA=1.8 V, charge pump disabled Assumes a ratio of speech present versus quiet environment of 20/80		170		µA

BelaSigna R281

Table 5. DIGITAL I/O PINS (I2C, WAKE_UP, DMIC) DC ELECTRICAL CHARACTERISTICS

Typical operating conditions (Ta = 25°C, VDDO = 1.8 V, Pull-up/Pull-down Enabled) unless otherwise noted

Parameter	Symbol	Conditions	Min	Typ	Max	Units	
VDDO Supply Voltage Range	VDDO		1.25	1.8	3.63	V	
Output Low Level	V _{ol}	I _{ol} = 4 mA		0	0.2 x VDDO	V	
Output High Level	V _{oh}	I _{oh} = -4 mA	0.8 x VDDO	VDDO		V	
Input Low Level	V _{il}			0	0.2 x VDDO	V	
Input High Level	V _{ih}		0.8 x VDDO	VDDO		V	
Pull-Up Resistance	R _{pu}	Non-I ² C	VDDO = 1.8 V	80	122	160	kΩ
			VDDO = 3.3 V	30	48	60	
		I ² C (strong/weak)	VDDO = 1.8 V	0.8 / 8	1 / 10	1.2 / 12	
			VDDO = 3.3 V	0.8 / 8	1 / 10	1.2 / 12	
Pull-Down Resistance	R _{pd}	VDDO = 1.8 V	120	168	210	kΩ	
		VDDO = 3.3 V	30	60	80		
Pin Capacitance	C _{pd}			5		pF	
Maximum Output Current	I _{ol} , I _{oh}				± 4	mA	
Input Leakage Current	I _l				± 1	μA	

Table 6. VDDA REGULATOR DC & AC ELECTRICAL CHARACTERISTICS

Typical operating conditions (Ta = 25°C), charge pump in use, unless otherwise noted

Parameter	Symbol	Conditions	Min	Typ	Max	Units
Output Voltage	VDDA	CL = 1 μF	1.8	1.98	2.0	V
Load Current					4	mA
Load Regulation				5		mV/mA
Line Regulation				20		mV/V
PSRR		@ 1 kHz unloaded	20			dB

Table 7. VREG REGULATOR DC & AC ELECTRICAL CHARACTERISTICS

Typical operating conditions (Ta = 25°C), unless otherwise noted

Parameter	Symbol	Conditions	Min	Typ	Max	Units
Output Voltage	VREG	CL = 1 μF	0.89	0.92	0.95	V
Load Current					2	mA
Load Regulation					20	mV/mA
Line Regulation					5	mV/V
PSRR		@ 1 kHz unloaded	40			dB

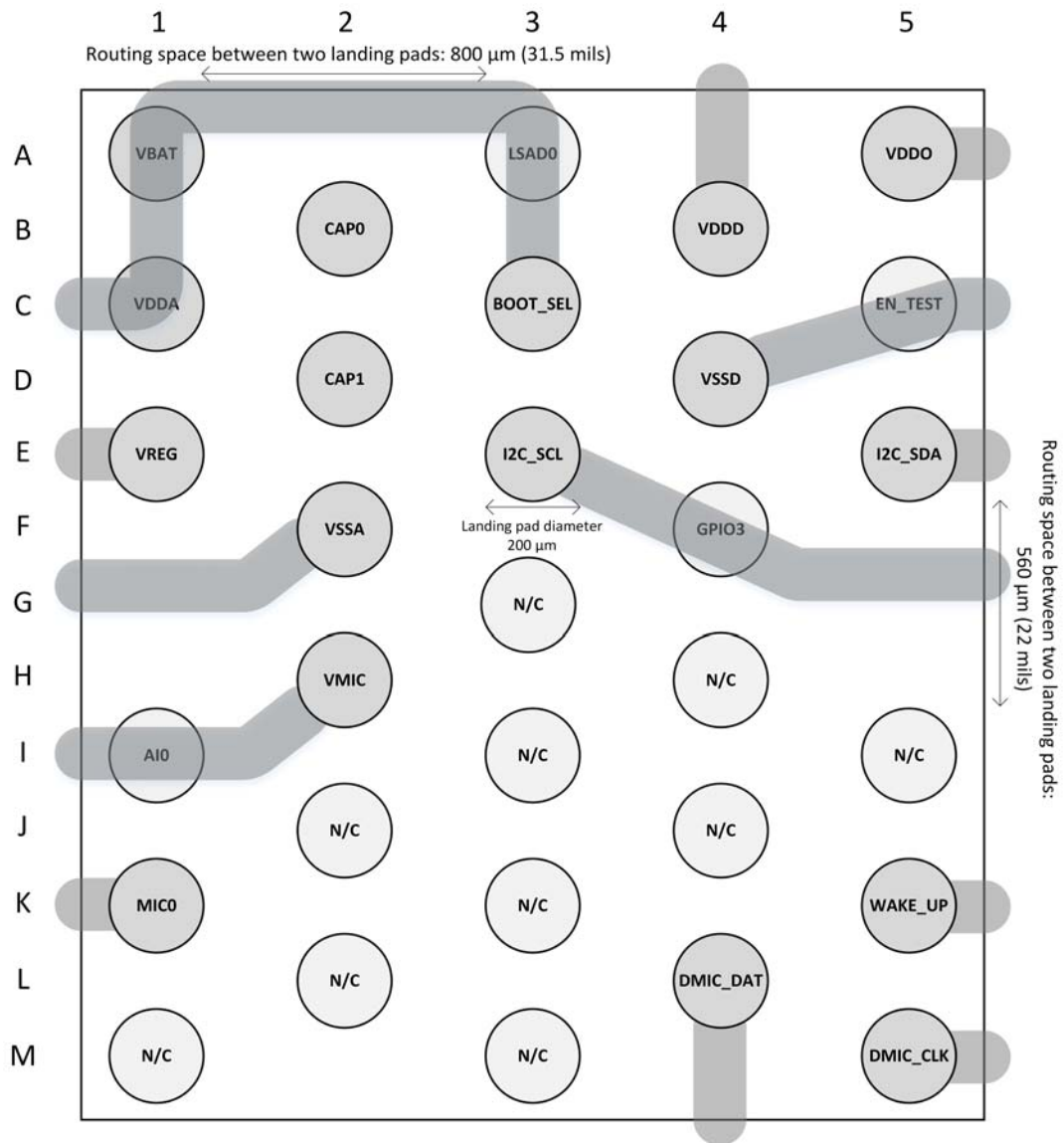
Table 8. VDDD REGULATOR DC & AC ELECTRICAL CHARACTERISTICS

Typical operating conditions (Ta = 25°C), unless otherwise noted

Parameter	Symbol	Conditions	Min	Typ	Max	Units
Output Voltage	VDDD	CL = 1 μF	1.2	1.4	1.7	V
Load Current					15	mA
Load Regulation					10	mV/mA
Line Regulation					20	mV/V
PSRR		@ 1 kHz unloaded	20			dB

BelaSigna R281

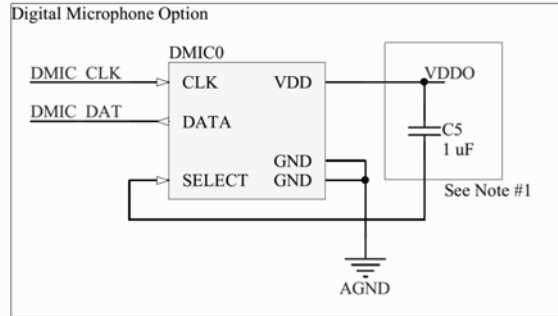
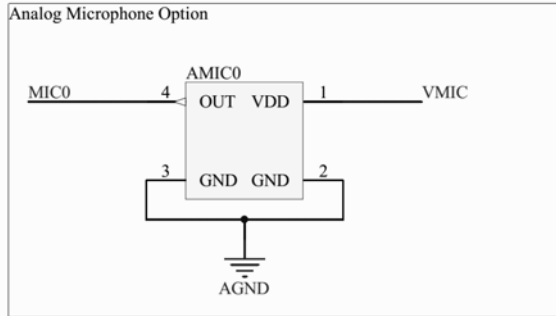
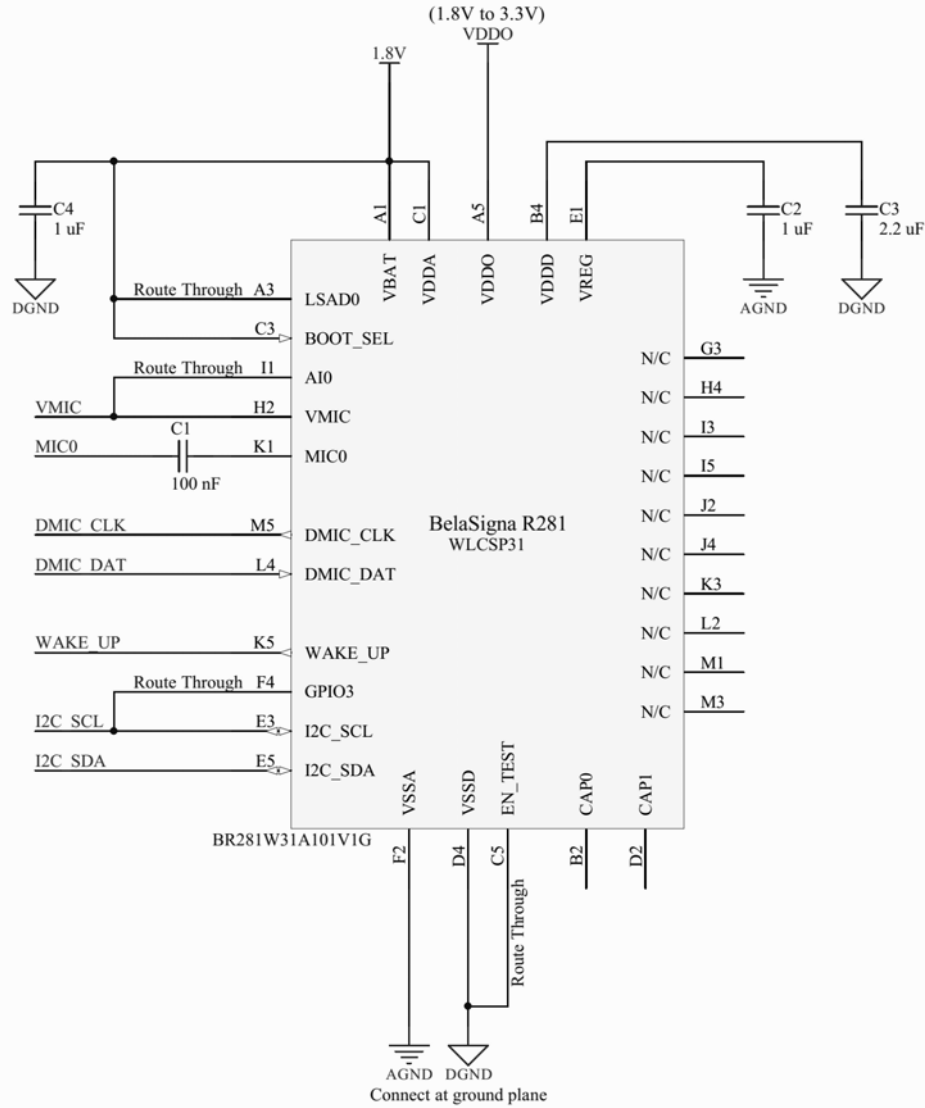
System Diagrams



BelaSigna R281 WLCSP 5 mil routing - top and soldering footprint view
(balls facing down)

Figure 1. BelaSigna R281 WLCSP Suggested PCB Routing

BelaSigna R281



Note #1: If VDDO is connected to VBAT, VMIC can be used to power a digital microphone provided it is set to the "2 V" (or "VDDA") setting. In this case C5 is not required and can be removed.

Figure 2. BelaSigna R281 System Diagram (WLCSP Package)

BelaSigna R281

Description of Operation

Efficient implementation of the trigger phrase recognition algorithm is accomplished through the use of three processing units running concurrently. In addition to the main DSP core performing system configuration and signal processing, an input/output processor continuously collects frames of input speech signals which are analyzed by a highly optimized frequency domain co-processor.

There are two main modes of operation: Recognition Mode and Training Mode.

Recognition Mode

When in Recognition Mode, the entire system remains in an extremely low-power, “always-on” state continuously listening for speech. When speech is detected, the algorithm proceeds to extract features from the collected audio data, comparing these features to a known set of data computed during the training process. If the features appear to be similar enough to the trained feature data, a match is indicated on the WAKE_UP pin.

Once the feature extraction and comparison is complete, the system returns to its original low-power state, once again waiting until speech is detected.

Training Mode

Before BelaSigna R281 can be placed into Recognition Mode, it must be trained. Training involves recording and analyzing three utterances of a *trigger phrase*. A trigger phrase can be any collection of words or sounds, in any language, up to a maximum length of approximately 1.5 seconds.

When speaking a given phrase, a human will naturally say the same phrase subtly different each time. Having multiple instances of the same phrase, each slightly different, helps to make the matching algorithm more robust.

Training must be performed in a quiet environment, or the trigger phrase match results in Recognition Mode will be unpredictable. BelaSigna R281 is placed into Training Mode by issuing an appropriate SetMode command via I²C. The algorithm stores relevant feature data from the three separate utterances of the trigger phrase, also known as *training templates*.

Once training is complete, the training templates can be read from memory and stored offline. This template data can then be loaded into memory in the event of a power cycle and the device can be placed directly into Recognition Mode, thus avoiding the need to re-train the device. This same procedure can be used to recognize multiple trigger phrases, provided they have each been individually trained and stored offline. Only one trigger phrase can be active at any one time.

Refer to AND9267/D for more information on the different modes, as well as a description of the I²C host control protocol.

Initial Power-On State

When BelaSigna R281 is powered on, the device will perform a brief initialization procedure and then wait for a connection to be made from an external host via I²C. At this point, the host controller must connect to BelaSigna R281 and load its memory with the algorithm binary image, as well as the training template data. Once this has been completed, the device can be put into Recognition Mode. If no training template data is available (e.g. the training procedure has never been performed), then BelaSigna R281 must be placed into Training Mode and the training procedure performed before entering Recognition Mode.

Whenever power is removed from the device, the contents of memory are lost and must be re-loaded.

For more information refer to AND9267/D.

BelaSigna R281

System Performance

Recognition Rate

Performance has been measured in various noise conditions and is shown in Figure 3. Tests were performed in a sound isolation booth with a series of pre-recorded trigger and non-trigger phrases playing continuously, mixed

with varying levels of noise. Recognition rate is 100% in a quiet environment (no noise playing). The system was trained in a quiet environment. In all cases, the false trigger rate (the number of times the system triggered on a non-trigger phrase) was 0%.

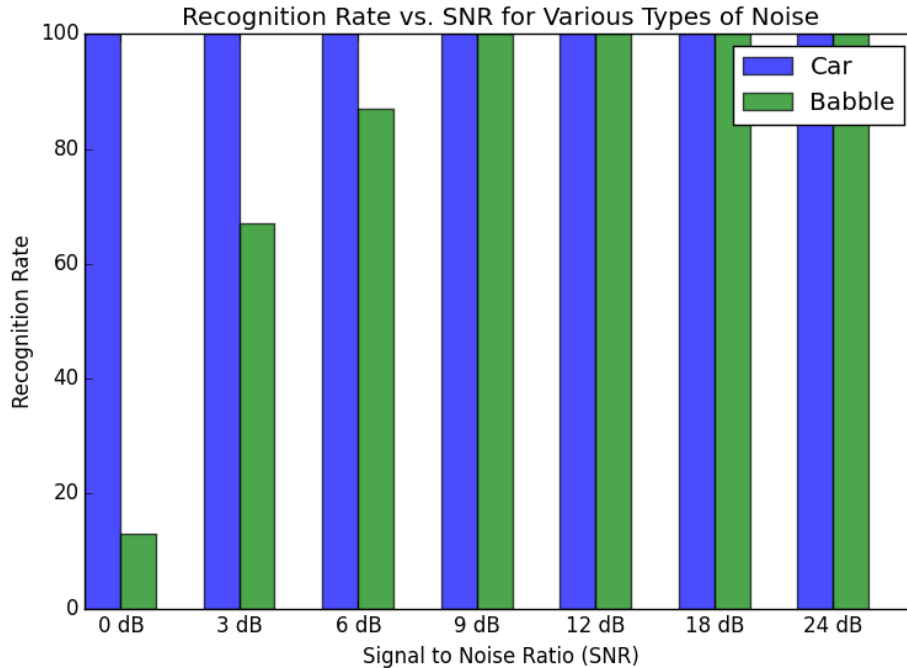


Figure 3. Recognition Rate Versus SNR

Current Consumption

Average current consumption was also measured with the device operating in a pure noise environment with no speech present. The results are presented in Table 9.

Table 9. AVERAGE CURRENT CONSUMPTION

Condition	Average Current Consumption (uA), VBAT = 1.8 V
Quiet Environment	160
Babble Noise	170

*Not including microphone current consumption

Single User Operation

Because BelaSigna R281 performs recognition based on a training procedure performed by a specific individual, recognition of the trigger phrase is effectively “single-user”. Only the person who trained the system (or an individual with an extremely similar voice print) will be able to reliably trigger the device.

Digital Interfaces

Wake Up Pin

The Wake Up pin is a digital output (referenced to VDDO) which is used to indicate that the trigger phrase was detected. It is intended to be connected to a digital input of an external

host, and its behavior (active high versus active low and duration) is configurable via I²C.

For more information refer to AND9267/D.

Boot Select Pin

This pin is reserved for future purpose and must be connected to VDDA.

Inter – IC Communication (I²C) Interface

The I²C interface is an industry-standard interface that can be used for high-speed transmission of data between BelaSigna R281 and an external device. The interface operates at speeds up to 100 Kbit/sec, and always operates in slave mode at an address of 0x62.

BelaSigna R281

Digital Microphone (DMIC) Interface

The digital microphone interface provides a means of interfacing a digital microphone to the system instead of an analog microphone. When the device is configured to use a digital microphone input instead of an analog microphone input (the default), an appropriate clock is output on the DMIC_CLK pin and device accepts PDM signals from a

digital microphone on the DMIC_DAT input pin. A separate algorithm binary image is available supporting a digital microphone input.

Figure 4 shows the timing of the DMIC interface. For more information refer to AND9267/D.

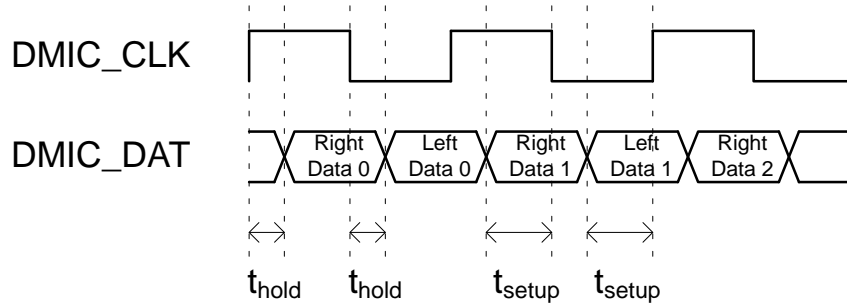


Figure 4. DMIC Timing Diagram

BelaSigna R281

Mechanical Information and Circuit Design Guidelines

Table 10. PIN DESCRIPTION

WLCSP Ball Index	Name	Description	Pad Type	Pull
A1	VBAT	Main power supply	P	
A3	LSAD0	Low-speed Analog to Digital Input	I	
A5	VDDO	Digital I/O supply, capacitor to VSSD, typically connected to VBAT	P	
B2	CAP0	Charge pump capacitor to CAP1	A	
B4	VDDD	Digital supply, capacitor to VSSD	P	
C1	VDDA	Analog supply voltage (output), capacitor to VSSA, or connected to VBAT (max. 1.98 V)	P	
C3	BOOT_SEL	Boot selection (always connect to VDDA)	AI	
C5	EN_TEST	Test enable	DIO	
D2	CAP1	Charge pump capacitor to CAP0	A	
D4	VSSD	Digital core and I/O ground, connect to VSSA on PCB	P	
E1	VREG	Analog supply voltage (output), capacitor to VSSA	A	
E3	I2C_SCL	I ² C clock	DIO	PU
E5	I2C_SDA	I ² C data	DIO	PU (Note 1)
F2	VSSA	Analog ground	P	
F4	GPIO3	General purpose digital input/output	DIO	
G3	N/A	No connection	NC	
H2	VMIC	Analog microphone supply output	A	
H4	N/A	No connection	NC	
I1	AI0	Analog input (unused)	AI	
I3	N/A	No connection	NC	
I5	N/A	No connection	NC	
J2	N/A	No connection	NC	
J4	N/A	No connection	NC	
K1	MIC0	Analog microphone input	AI	
K3	N/A	No connection	NC	
K5	WAKE_UP	Wake up signal (output)	DIO	
L2	N/A	No connection	NC	
L4	DMIC_DAT	Digital microphone data input (optional)	DIO	
M1	N/A	No connection	NC	
M3	N/A	No connection	NC	
M5	DMIC_CLK	Digital microphone clock (optional)	DIO	PU (Note 2)

1. The value of the I²C pull-ups is 10 K
2. Pull-up is disabled when the DMIC interface is enabled.

Legend:

Type: A = analog; D = digital; I = input; O = output; P = power; NC = not connected

Pull: PU = pull up; PD = pull down

All digital pads have a Schmitt trigger input

BelaSigna R281

Reflow Information

The reflow profile depends on the equipment that is used for the re-flow and the assembly that is being re-flowed. Information from JEDEC Standard 22-A113D and J-STD-020D.01 can be used as a guideline.

Electrostatic Discharge (ESD) Device

CAUTION: ESD sensitive device. Permanent damage may occur on devices subjected to high-energy electrostatic discharges. Proper ESD precautions in handling, packaging and testing are recommended to avoid performance degradation or loss of functionality.

Ordering Information

To order BelaSigna R281, please contact your account manager.

Chip Identification

Chip identification information can be retrieved using the GetChipID I²C command.

Refer to AND9267/D for more details regarding supported I²C commands.

Company or Product Inquiries

For more information about ON Semiconductor Sales products or services visit our website at <http://onsemi.com>.

ORDERING INFORMATION

Part Number	Chip ID	Package Option	Shipping†
BR281W31A101V1G	0x5000	WLCSP31 (Pb-Free)	2500 / Tape & Reel

†For information on tape and reel specifications, including part orientation and tape sizes, please refer to our Tape and Reel Packaging Specifications Brochure, BRD8011/D.

MECHANICAL CASE OUTLINE

PACKAGE DIMENSIONS

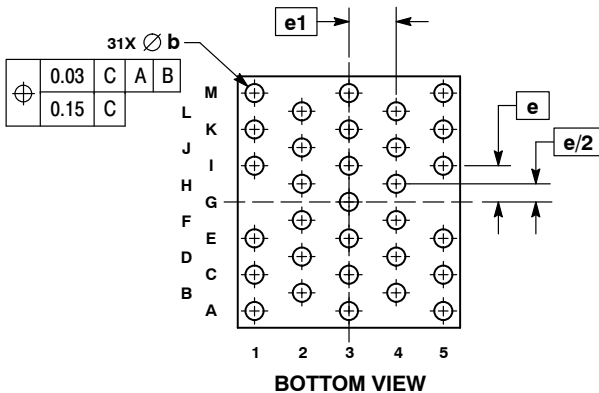
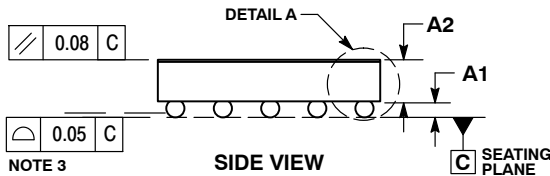
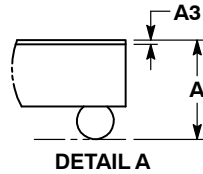
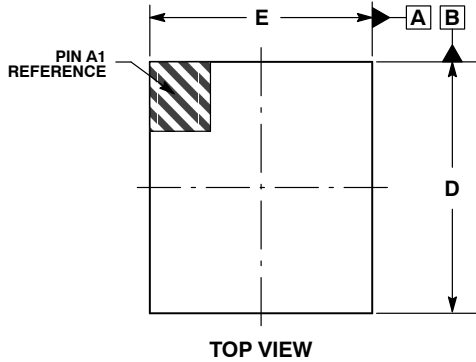
ON Semiconductor®



SCALE 4:1

WLCSP31, 2.77x2.45
CASE 567NB
ISSUE A

DATE 23 JUN 2016

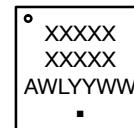


NOTES:

1. DIMENSIONING AND TOLERANCING PER ASME Y14.5M, 1994.
2. CONTROLLING DIMENSION: MILLIMETERS.
3. COPLANARITY APPLIES TO SPHERICAL CROWNS OF THE SOLDER BALLS.
4. DATUM C, THE SEATING PLANE, IS DEFINED BY THE SPHERICAL CROWNS OF THE SOLDER BALLS.
5. DIMENSION b IS MEASURED AT THE MAXIMUM BALL DIAMETER PARALLEL TO DATUM C.

DIM	MILLIMETERS		
	MIN	NOM	MAX
A	---	---	0.635
A1	0.17	0.20	0.23
A2	0.405 REF		
A3	0.025 REF		
b	0.20	0.225	0.25
D	2.74	2.77	2.80
E	2.42	2.45	2.48
e	0.40 BSC		
e1	0.52 BSC		

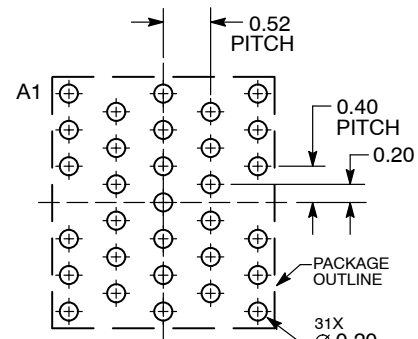
GENERIC MARKING DIAGRAM*



- A = Assembly Location
- WL = Wafer Lot
- YY = Year
- WW = Work Week
- = Pb-Free Package

*This information is generic. Please refer to device data sheet for actual part marking. Pb-Free indicator, "G" or microdot "▪", may or may not be present.

RECOMMENDED SOLDERING FOOTPRINT*



DIMENSIONS: MILLIMETERS

*For additional information on our Pb-Free strategy and soldering details, please download the ON Semiconductor Soldering and Mounting Techniques Reference Manual, SOLDERRM/D.

DOCUMENT NUMBER:	98AON07006G	Electronic versions are uncontrolled except when accessed directly from the Document Repository. Printed versions are uncontrolled except when stamped "CONTROLLED COPY" in red.
DESCRIPTION:	WLCSP31, 2.77X2.45	PAGE 1 OF 1

ON Semiconductor and are trademarks of Semiconductor Components Industries, LLC dba ON Semiconductor or its subsidiaries in the United States and/or other countries. ON Semiconductor reserves the right to make changes without further notice to any products herein. ON Semiconductor makes no warranty, representation or guarantee regarding the suitability of its products for any particular purpose, nor does ON Semiconductor assume any liability arising out of the application or use of any product or circuit, and specifically disclaims any and all liability, including without limitation special, consequential or incidental damages. ON Semiconductor does not convey any license under its patent rights nor the rights of others.

onsemi, **Onsemi**, and other names, marks, and brands are registered and/or common law trademarks of Semiconductor Components Industries, LLC dba "**onsemi**" or its affiliates and/or subsidiaries in the United States and/or other countries. **onsemi** owns the rights to a number of patents, trademarks, copyrights, trade secrets, and other intellectual property. A listing of **onsemi**'s product/patent coverage may be accessed at www.onsemi.com/site/pdf/Patent-Marking.pdf. **onsemi** reserves the right to make changes at any time to any products or information herein, without notice. The information herein is provided "as-is" and **onsemi** makes no warranty, representation or guarantee regarding the accuracy of the information, product features, availability, functionality, or suitability of its products for any particular purpose, nor does **onsemi** assume any liability arising out of the application or use of any product or circuit, and specifically disclaims any and all liability, including without limitation special, consequential or incidental damages. Buyer is responsible for its products and applications using **onsemi** products, including compliance with all laws, regulations and safety requirements or standards, regardless of any support or applications information provided by **onsemi**. "Typical" parameters which may be provided in **onsemi** data sheets and/or specifications can and do vary in different applications and actual performance may vary over time. All operating parameters, including "Typicals" must be validated for each customer application by customer's technical experts. **onsemi** does not convey any license under any of its intellectual property rights nor the rights of others. **onsemi** products are not designed, intended, or authorized for use as a critical component in life support systems or any FDA Class 3 medical devices or medical devices with a same or similar classification in a foreign jurisdiction or any devices intended for implantation in the human body. Should Buyer purchase or use **onsemi** products for any such unintended or unauthorized application, Buyer shall indemnify and hold **onsemi** and its officers, employees, subsidiaries, affiliates, and distributors harmless against all claims, costs, damages, and expenses, and reasonable attorney fees arising out of, directly or indirectly, any claim of personal injury or death associated with such unintended or unauthorized use, even if such claim alleges that **onsemi** was negligent regarding the design or manufacture of the part. **onsemi** is an Equal Opportunity/Affirmative Action Employer. This literature is subject to all applicable copyright laws and is not for resale in any manner.

PUBLICATION ORDERING INFORMATION

LITERATURE FULFILLMENT:

Email Requests to: orderlit@onsemi.com

onsemi Website: www.onsemi.com

TECHNICAL SUPPORT

North American Technical Support:

Voice Mail: 1 800-282-9855 Toll Free USA/Canada

Phone: 011 421 33 790 2910

Europe, Middle East and Africa Technical Support:

Phone: 00421 33 790 2910

For additional information, please contact your local Sales Representative