

# NCS2372

## Operational Amplifier, 1.0 A, Dual

The NCS2372 is a monolithic circuit intended for use as a power operational amplifier in a wide range of applications, including servo amplifiers and power supplies. No deadband crossover distortion provides better performance for driving coils.

### Features

- Output Current to 1.0 A
- Slew Rate of 1.3 V/ $\mu$ s
- Wide Bandwidth of 1.1 MHz
- Internal Thermal Shutdown
- Single or Split Supply Operation
- Excellent Gain and Phase Margins
- Common Mode Input Includes Ground
- Zero Deadband Crossover Distortion
- These Devices are Pb-Free and are RoHS Compliant

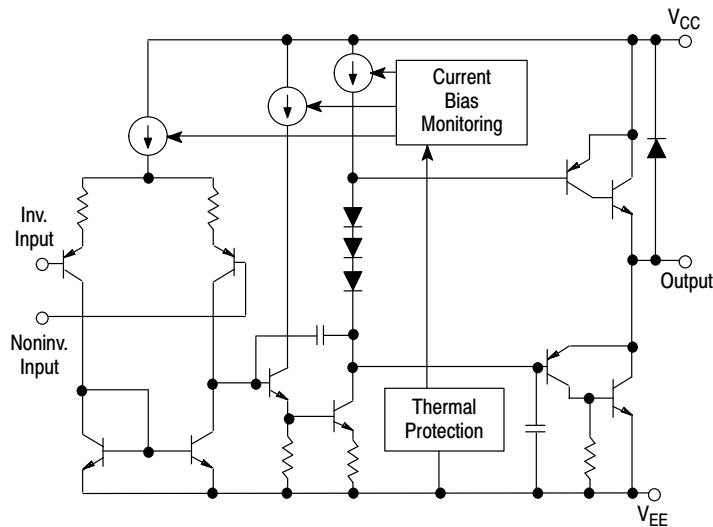


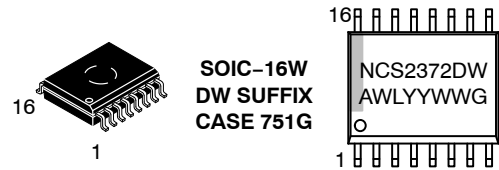
Figure 1. Representative Block Diagram



ON Semiconductor®

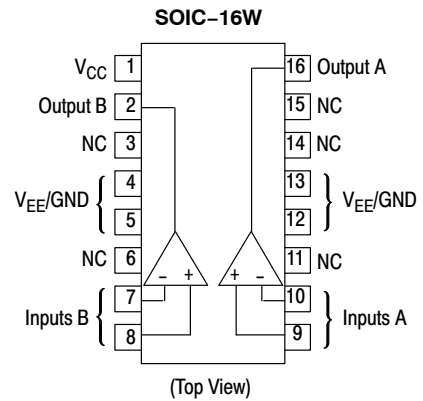
<http://onsemi.com>

### MARKING DIAGRAM



- A = Assembly Location
- WL = Wafer Lot
- YY = Year
- WW = Work Week
- G = Pb-Free Package

### PIN CONNECTIONS



### ORDERING INFORMATION

Device	Package	Shipping†
NCS2372DWR2G	SOIC-16W (Pb-Free)	1000/Tape & Reel

†For information on tape and reel specifications, including part orientation and tape sizes, please refer to our Tape and Reel Packaging Specification Brochure, BRD8011/D.

# NCS2372

## MAXIMUM RATINGS

Rating	Symbol	Value	Unit
Supply Voltage (from $V_{CC}$ to $V_{EE}$ )	$V_S$	40	V
Input Differential Voltage Range	$V_{IDR}$	Note 1	V
Input Voltage Range	$V_{IR}$	Note 1	V
Junction Temperature (Note 2)	$T_J$	+150	°C
Operating Temperature Range	$T_A$	-40 to +125	°C
Storage Temperature Range	$T_{stg}$	-55 to +150	°C
DC Output Current	$I_O$	1.0	A
Peak Output Current (Nonrepetitive) > 1 ms Duration < 1 ms Duration (Note 3)	$I_{(max)}$	1.5 2.0	A
Thermal Resistance, Junction-to-Air	$R_{\theta JA}$	80	°C/W
Thermal Resistance, Junction-to-Case	$R_{\theta JC}$	12	°C/W

Stresses exceeding Maximum Ratings may damage the device. Maximum Ratings are stress ratings only. Functional operation above the Recommended Operating Conditions is not implied. Extended exposure to stresses above the Recommended Operating Conditions may affect device reliability.

1. Either or both input voltages should not exceed the magnitude of  $V_{CC}$  or  $V_{EE}$ .
2. Power dissipation must be considered to ensure maximum junction temperature ( $T_J$ ) is not exceeded.
3. When driving inductive loads, negative flyback voltage/current excursions may need to be constrained with Schottky diodes to protect the output drivers.

# NCS2372

## DC ELECTRICAL CHARACTERISTICS ( $V_{CC} = +15\text{ V}$ , $V_{EE} = -15\text{ V}$ , $R_L$ connected to ground, $T_A = -40^\circ$ to $+125^\circ\text{C}$ .)

Characteristics	Symbol	Min	Typ	Max	Unit
Input Offset Voltage ( $V_{CM} = 0$ ) $T_A = +25^\circ\text{C}$ $T_A, T_{low}$ to $T_{high}$	$V_{IO}$	-	1.0	15 20	mV
Average Temperature Coefficient of Offset Voltage	$\Delta V_{IO}/\Delta T$	-	20	-	$\mu\text{V}/^\circ\text{C}$
Input Bias Current ( $V_{CM} = 0$ )	$I_{IB}$	-	100	500	nA
Input Offset Current ( $V_{CM} = 0$ )	$I_{IO}$	-	10	50	nA
Large Signal Voltage Gain $V_O = \pm 10\text{ V}$ , $R_L = 2.0\text{ k}$	$A_{VOL}$	30	100	-	V/mV
Output Voltage Swing ( $I_L = 100\text{ mA}$ ) $T_A = +25^\circ\text{C}$ $T_A = T_{low}$ to $T_{high}$ $T_A = +25^\circ\text{C}$ $T_A = T_{low}$ to $T_{high}$	$V_{OH}$  $V_{OL}$	14.0 13.9	14.2 -	- -14.0 -13.9	V
Output Voltage Swing ( $I_L = 1.0\text{ A}$ ) $V_{CC} = +24\text{ V}$ , $V_{EE} = 0\text{ V}$ , $T_A = +25^\circ\text{C}$ $V_{CC} = +24\text{ V}$ , $V_{EE} = 0\text{ V}$ , $T_A = T_{low}$ to $T_{high}$ $V_{CC} = +24\text{ V}$ , $V_{EE} = 0\text{ V}$ , $T_A = +25^\circ\text{C}$ $V_{CC} = +24\text{ V}$ , $V_{EE} = 0\text{ V}$ , $T_A = T_{low}$ to $T_{high}$	$V_{OH}$  $V_{OL}$	22.5 22.5	22.7 -	- 1.5 1.6	V
Input Common Mode Voltage Range $T_A = +25^\circ\text{C}$ $T_A = T_{low}$ to $T_{high}$	$V_{ICR}$	$V_{EE}$ to $(V_{CC} - 1.0)$ $V_{EE}$ to $(V_{CC} - 1.3)$			V
Common Mode Rejection Ratio ( $R_S = 10\text{ k}$ )	CMRR	70	90	-	dB
Power Supply Rejection Ratio ( $R_S = 100\ \Omega$ )	PSRR	70	90	-	dB
Power Supply Current $T_A = +25^\circ\text{C}$ $T_A = T_{low}$ to $T_{high}$	$I_D$	-	8.0	10 14	mA

## AC ELECTRICAL CHARACTERISTICS ( $V_{CC} = +15\text{ V}$ , $V_{EE} = -15\text{ V}$ , $R_L$ connected to ground, $T_A = +25^\circ\text{C}$ , unless otherwise noted.)

Characteristics	Symbol	Min	Typ	Max	Unit
Slew Rate ( $V_{in} = -10\text{ V}$ to $+10\text{ V}$ , $R_L = 2.0\text{ k}$ , $C_L = 100\text{ pF}$ ) $A_V = -1.0$ , $T_A = T_{low}$ to $T_{high}$	SR	1.0	1.4	-	V/ $\mu\text{s}$
Gain Bandwidth Product ( $f = 100\text{ kHz}$ , $C_L = 100\text{ pF}$ , $R_L = 2.0\text{ k}$ ) $T_A = 25^\circ\text{C}$ $T_A = T_{low}$ to $T_{high}$	GBW	0.9 0.7	1.4 -	- -	MHz
Phase Margin $T_J = T_{low}$ to $T_{high}$ $R_L = 2.0\text{ k}$ , $C_L = 100\text{ pF}$	$\phi_m$	-	65	-	Degrees
Gain Margin $R_L = 2.0\text{ k}$ , $C_L = 100\text{ pF}$	$A_m$	-	15	-	dB
Equivalent Input Noise Voltage $R_S = 100\ \Omega$ , $f = 1.0$ to $100\text{ kHz}$	$e_n$	-	22	-	$\text{nV}/\sqrt{\text{Hz}}$
Total Harmonic Distortion $A_V = -1.0$ , $R_L = 50\ \Omega$ , $V_O = 0.5\text{ VRMS}$ , $f = 1.0\text{ kHz}$	THD	-	0.02	-	%

NOTE: In case  $V_{EE}$  is disconnected before  $V_{CC}$ , a diode between  $V_{EE}$  and Ground is recommended to avoid damaging the device.

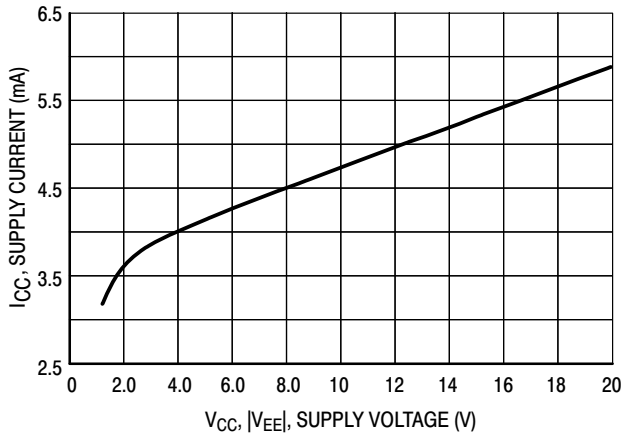


Figure 2. Supply Current versus Supply Voltage with No Load

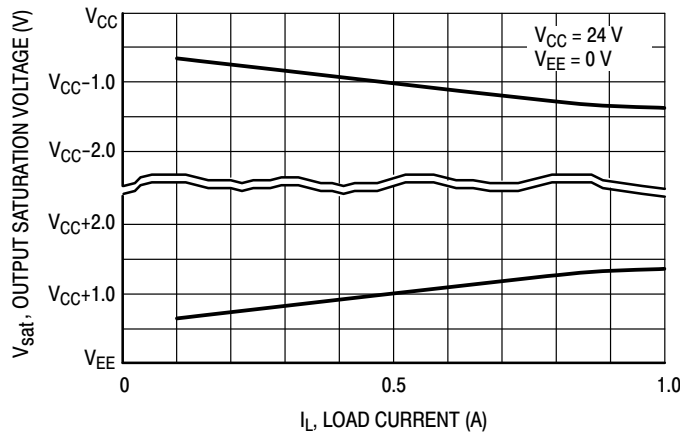


Figure 3. Output Saturation Voltage versus Load Current

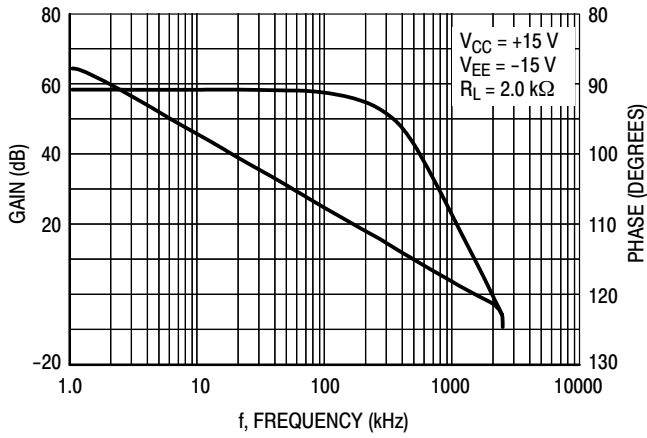


Figure 4. Voltage Gain and Phase versus Frequency

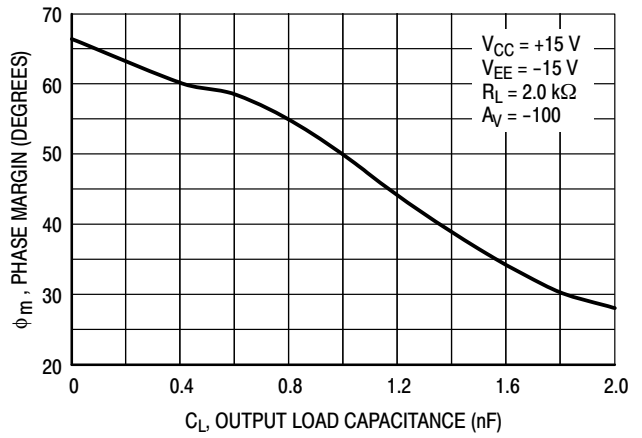


Figure 5. Phase Margin versus Output Load Capacitance

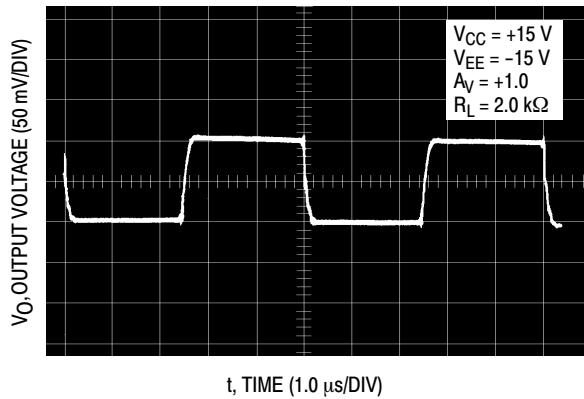


Figure 6. Small Signal Transient Response

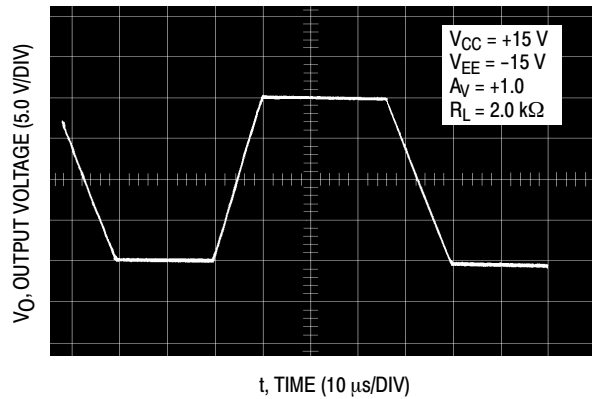


Figure 7. Large Signal Transient Response

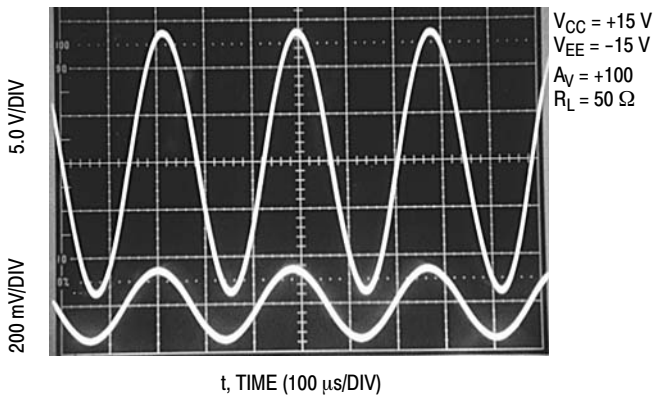


Figure 8. Sine Wave Response

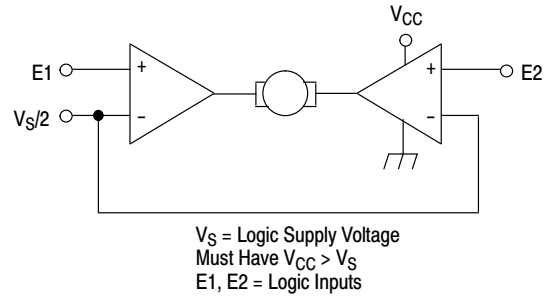
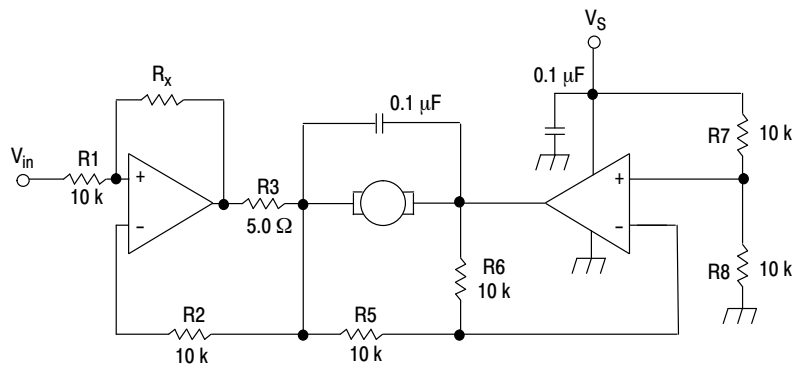


Figure 9. Bidirectional DC Motor Control with Microprocessor-Compatible Inputs



For circuit stability, ensure that  $R_x > \frac{2R_3 \cdot R_1}{R_M}$  where,  $R_M$  = internal resistance of motor.  
 The voltage available at the terminals of the motor is:  $V_M = 2(V_1 - \frac{V_S}{2}) + |R_{O1}| \cdot I_M$   
 where,  $|R_{O1}| = \frac{2R_3 \cdot R_1}{R_x}$  and  $I_M$  is the motor current.

Figure 10. Bidirectional Speed Control of DC Motors

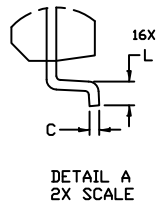
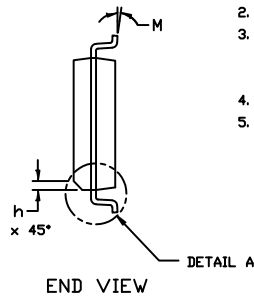
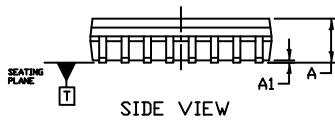
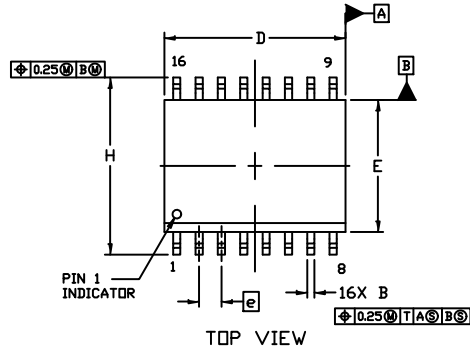
# MECHANICAL CASE OUTLINE PACKAGE DIMENSIONS



1  
SCALE 1:1

SOIC-16 WB  
CASE 751G  
ISSUE E

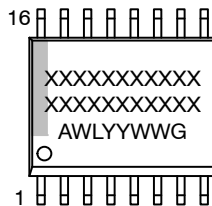
DATE 08 OCT 2021



- NOTES:
- DIMENSIONING AND TOLERANCING PER ASME Y14.5M, 1994.
  - CONTROLLING DIMENSION: MILLIMETERS
  - DIMENSION *b* DOES NOT INCLUDE DAMBAR PROTRUSION. ALLOWABLE PROTRUSION SHALL BE 0.13 TOTAL IN EXCESS OF *B* DIMENSION AT MAXIMUM MATERIAL CONDITION.
  - DIMENSIONS *D* AND *E* DO NOT INCLUDE MOLD PROTRUSIONS.
  - MAXIMUM MOLD PROTRUSION OR FLASH TO BE 0.15 PER SIDE.

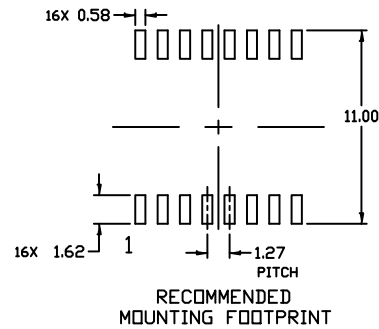
DIM	MILLIMETERS	
	MIN.	MAX.
A	2.35	2.65
A1	0.10	0.25
B	0.35	0.49
C	0.23	0.32
D	10.15	10.45
E	7.40	7.60
e	1.27 BSC	
H	10.05	10.55
h	0.53 REF	
L	0.50	0.90
M	0°	7°

### GENERIC MARKING DIAGRAM\*



- XXXXX = Specific Device Code
- A = Assembly Location
- WL = Wafer Lot
- YY = Year
- WW = Work Week
- G = Pb-Free Package

\*This information is generic. Please refer to device data sheet for actual part marking. Pb-Free indicator, "G" or microdot "▪", may or may not be present. Some products may not follow the Generic Marking.



DOCUMENT NUMBER:	98ASB42567B	Electronic versions are uncontrolled except when accessed directly from the Document Repository. Printed versions are uncontrolled except when stamped "CONTROLLED COPY" in red.
DESCRIPTION:	SOIC-16 WB	PAGE 1 OF 1

onsemi and onSEMI are trademarks of Semiconductor Components Industries, LLC dba onsemi or its subsidiaries in the United States and/or other countries. onsemi reserves the right to make changes without further notice to any products herein. onsemi makes no warranty, representation or guarantee regarding the suitability of its products for any particular purpose, nor does onsemi assume any liability arising out of the application or use of any product or circuit, and specifically disclaims any and all liability, including without limitation special, consequential or incidental damages. onsemi does not convey any license under its patent rights nor the rights of others.

**onsemi**, **Onsemi**, and other names, marks, and brands are registered and/or common law trademarks of Semiconductor Components Industries, LLC dba "**onsemi**" or its affiliates and/or subsidiaries in the United States and/or other countries. **onsemi** owns the rights to a number of patents, trademarks, copyrights, trade secrets, and other intellectual property. A listing of **onsemi**'s product/patent coverage may be accessed at [www.onsemi.com/site/pdf/Patent-Marking.pdf](http://www.onsemi.com/site/pdf/Patent-Marking.pdf). **onsemi** reserves the right to make changes at any time to any products or information herein, without notice. The information herein is provided "as-is" and **onsemi** makes no warranty, representation or guarantee regarding the accuracy of the information, product features, availability, functionality, or suitability of its products for any particular purpose, nor does **onsemi** assume any liability arising out of the application or use of any product or circuit, and specifically disclaims any and all liability, including without limitation special, consequential or incidental damages. Buyer is responsible for its products and applications using **onsemi** products, including compliance with all laws, regulations and safety requirements or standards, regardless of any support or applications information provided by **onsemi**. "Typical" parameters which may be provided in **onsemi** data sheets and/or specifications can and do vary in different applications and actual performance may vary over time. All operating parameters, including "Typicals" must be validated for each customer application by customer's technical experts. **onsemi** does not convey any license under any of its intellectual property rights nor the rights of others. **onsemi** products are not designed, intended, or authorized for use as a critical component in life support systems or any FDA Class 3 medical devices or medical devices with a same or similar classification in a foreign jurisdiction or any devices intended for implantation in the human body. Should Buyer purchase or use **onsemi** products for any such unintended or unauthorized application, Buyer shall indemnify and hold **onsemi** and its officers, employees, subsidiaries, affiliates, and distributors harmless against all claims, costs, damages, and expenses, and reasonable attorney fees arising out of, directly or indirectly, any claim of personal injury or death associated with such unintended or unauthorized use, even if such claim alleges that **onsemi** was negligent regarding the design or manufacture of the part. **onsemi** is an Equal Opportunity/Affirmative Action Employer. This literature is subject to all applicable copyright laws and is not for resale in any manner.

## PUBLICATION ORDERING INFORMATION

### LITERATURE FULFILLMENT:

Email Requests to: [orderlit@onsemi.com](mailto:orderlit@onsemi.com)

**onsemi Website:** [www.onsemi.com](http://www.onsemi.com)

### TECHNICAL SUPPORT

**North American Technical Support:**

Voice Mail: 1 800-282-9855 Toll Free USA/Canada

Phone: 011 421 33 790 2910

**Europe, Middle East and Africa Technical Support:**

Phone: 00421 33 790 2910

For additional information, please contact your local Sales Representative