

# NCP81142

## Multiple-Phase Controller with SVID Interface for Desktop and Notebook CPU Applications

The NCP81142 Multi-Phase buck solution is optimized for Intel® VR12.5 compatible CPUs with user configurations of 4/3/2/1 phases. The controller combines true differential voltage sensing, differential inductor DCR current sensing, input voltage feed-forward, and adaptive voltage positioning to provide accurately regulated power for both Desktop and Notebook applications. The control system is based on Dual-Edge pulse-width modulation (PWM) combined with DCR current sensing providing the fastest initial response to dynamic load events at reduced system cost. It has the capability to shed to single phase during light load operation and can auto frequency scale in light load conditions while maintaining excellent transient performance.

High performance operational error amplifiers are provided to simplify compensation of the system. Patented Dynamic Reference Injection further simplifies loop compensation by eliminating the need to compromise between closed-loop transient response and Dynamic VID performance. Patented Total Current Summing provides highly accurate digital current monitoring.

### Features

- Meets Intel VR12.5 Specifications
- Current Mode Dual Edge Modulation for Fastest Initial Response to Transient Loading
- High Performance Operational Error Amplifier
- Digital Soft Start Ramp
- Dynamic Reference Injection
- Accurate Total Summing Current Amplifier
- Dual High Impedance Differential Voltage and Total Current Sense Amplifiers
- Phase-to-Phase Dynamic Current Balancing
- “Lossless” DCR Current Sensing for Current Balancing
- True Differential Current Balancing Sense Amplifiers for Each Phase
- Adaptive Voltage Positioning (AVP)
- Switching Frequency Range of 290 kHz – 590 kHz
- Startup into Pre-Charged Loads While Avoiding False OVP
- Power Saving Phase Shedding
- Vin Feed Forward Ramp Slope
- Over Voltage Protection (OVP) & Under Voltage Protection (UVP)
- Over Current Protection (OCP)
- VR-RDY Output with Internal Delays
- These are Pb-Free Devices

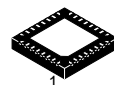
### Applications

- Desktop and Notebook Processors



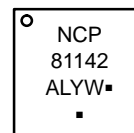
ON Semiconductor®

[www.onsemi.com](http://www.onsemi.com)



QFN32  
CASE 485CD

### MARKING DIAGRAM



- A = Assembly Location
- L = Wafer Lot
- Y = Year
- W = Work Week
- = Pb-Free Package

(Note: Microdot may be in either location)

### ORDERING INFORMATION

See detailed ordering and shipping information in the package dimensions section on page 19 of this data sheet.

# NCP81142

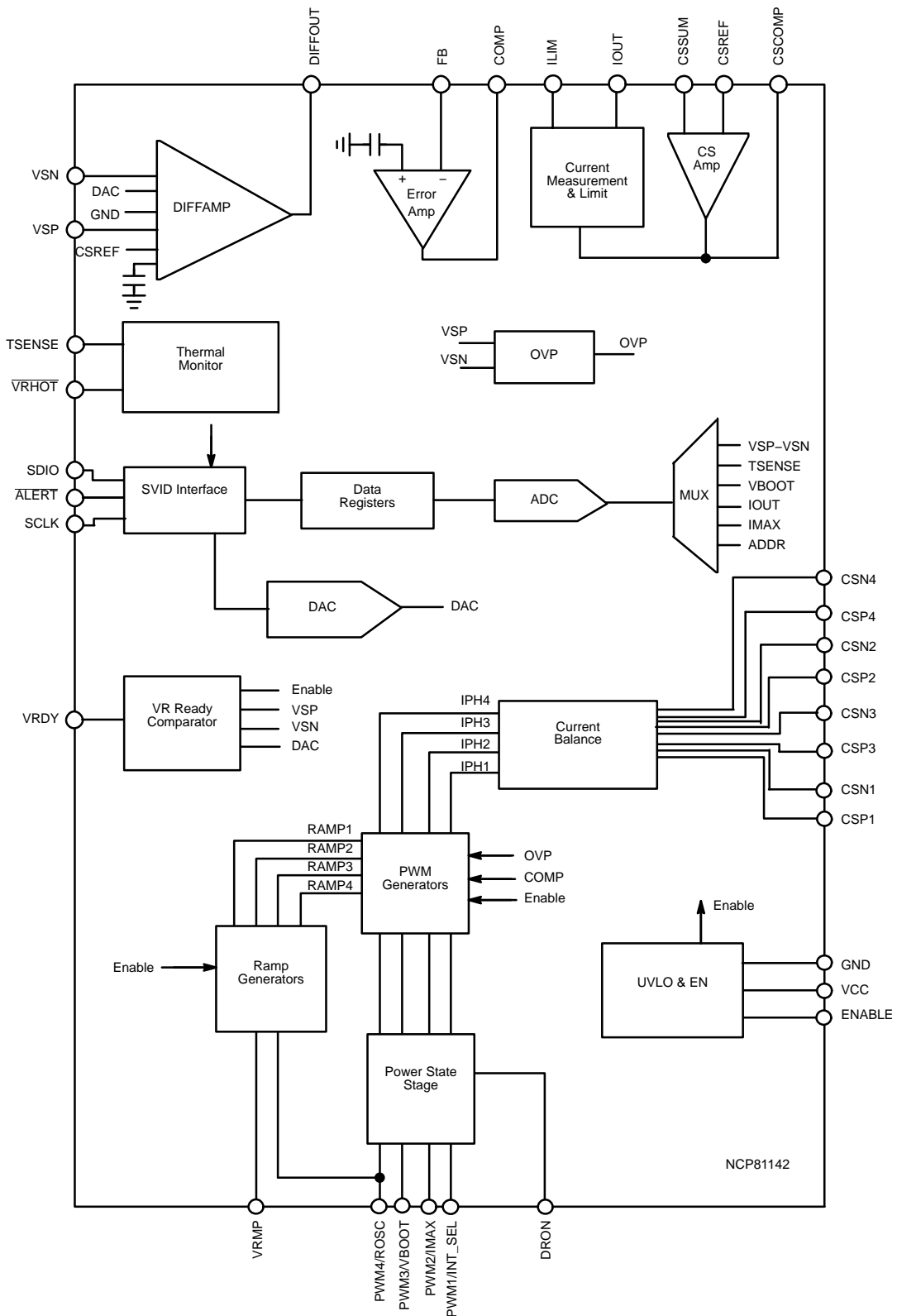


Figure 1. Block Diagram for NCP81142

# NCP81142

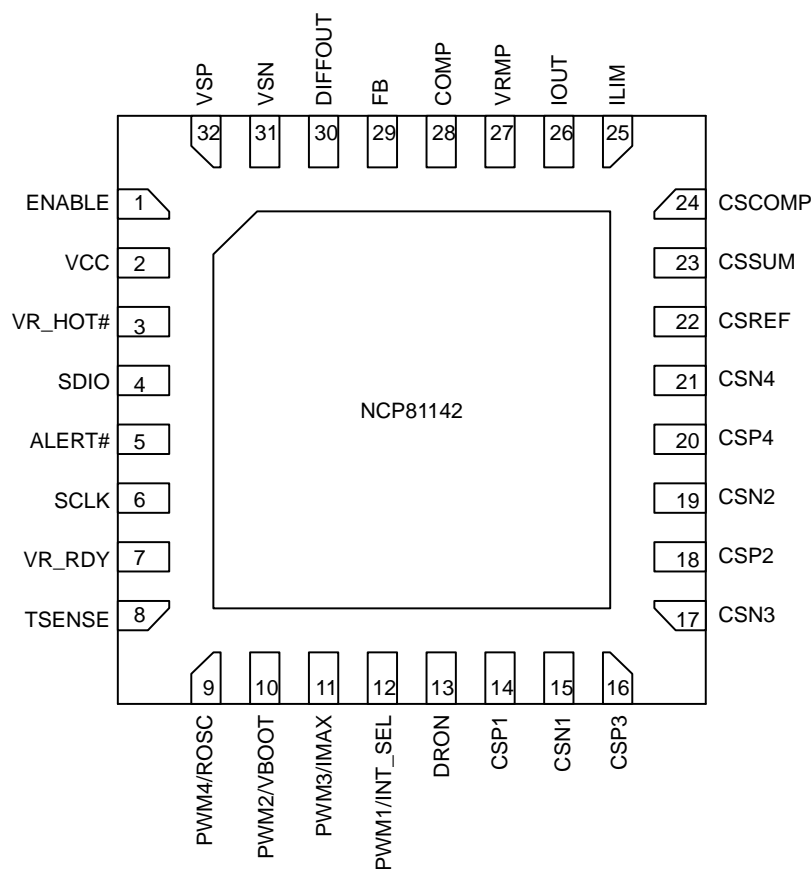


Figure 2. NCP81142 Pin Configurations

## NCP81142 PIN DESCRIPTIONS

Pin No.	Symbol	Description
1	ENABLE	Logic input. Logic high enables the output and logic low disables the output.
2	VCC	Power for the internal control circuits. A decoupling capacitor is connected from this pin to ground
3	VR_HOT#	Thermal logic output for over temperature
4	SDIO	Serial VID data interface
5	ALERT#	Serial VID ALERT#.
6	SCLK	Serial VID clock
7	VR_RDY	Open drain output. High indicates that the output is regulating
8	TSENSE	Temp Sense input for the multiphase converter
9	PWM4/ROSC	Phase 4 PWM output. A resistance from this pin to ground programs the oscillator frequency
10	PWM2/VBOOT	Phase 2 PWM output. Also as VBOOT input pin to adjust the boot-up voltage. During start up it is used to program VBOOT with a resistor to ground
11	PWM3/IMAX	Phase 3 PWM output. Also as ICC_MAX Input Pin. During start up it is used to program ICC_MAX with a resistor to ground
12	PWM1/INT_SEL	Phase 1 PWM output. Also as Int_sel program pin. A resistor to ground on this pin programs the INT_Select value
13	DRON	Bidirectional gate drive enable output
14	CSP1	Non-inverting input to current balance sense amplifier for phase 1
15	CSN1	Inverting input to current balance sense amplifier for phase 1
16	CSP3	Non-inverting input to current balance sense amplifier for phase 3

# NCP81142

## NCP81142 PIN DESCRIPTIONS

Pin No.	Symbol	Description
17	CSN3	Inverting input to current balance sense amplifier for phase 3. Pull this Pin to VCC, configure as 1-phase operation
18	CSP2	Non-inverting input to current balance sense amplifier for phase 2
19	CSN2	Inverting input to current balance sense amplifier for phase 2. Pull this Pin to VCC, configure as 2-phase operation
20	CSP4	Non-inverting input to current balance sense amplifier for phase 4
21	CSN4	Inverting input to current balance sense amplifier. Pull this Pin to VCC, configure as 3-phase operation
22	CSREF	Total output current sense amplifier reference voltage input, a capacitor on this pin is used to ensure CSREF voltage signal integrity
23	CSSUM	Inverting input of total current sense amplifier
24	CSCOMP	Output of total current sense amplifier
25	ILIM	Over current shutdown threshold setting. Resistor to CSCOMP to set threshold
26	IOUT	Total output current monitor.
27	VRMP	Feed-forward input of $V_{in}$ for the ramp slope compensation. The current fed into this pin is used to control the ramp of PWM slope
28	COMP	Output of the error amplifier and the inverting inputs of the PWM comparators
29	FB	Error amplifier voltage feedback
30	DIFFOUT	Output of the differential remote sense amplifier
31	VSN	Inverting input to differential remote sense amplifier
32	VSP	Non-inverting input to the differential remote sense amplifier
33	FLAG / GND	Power supply return (QFN Flag)

# NCP81142

## ABSOLUTE MAXIMUM RATINGS

### ELECTRICAL INFORMATION

Pin Symbol	V <sub>MAX</sub>	V <sub>MIN</sub>
COMP	VCC + 0.3 V	-0.3 V
CSCOMP	VCC + 0.3 V	-0.3 V
VSN	GND + 300 mV	GND - 300 mV
DIFFOUT	VCC + 0.3 V	-0.3 V
VR_RDY	VCC + 0.3 V	-0.3 V
VCC	6.5 V	-0.3 V
IOUT	2.0 V	-0.3 V
VRMP	+25 V	-0.3 V
All Other Pins	VCC + 0.3 V	-0.3 V

\*All signals referenced to GND unless noted otherwise.

### THERMAL INFORMATION

Description	Symbol	Typ	Unit
Thermal Characteristic QFN Package (Note 1)	R <sub>θJA</sub>	68	°C/W
Operating Junction Temperature Range (Note 2)	T <sub>J</sub>	-40 to +125	°C
Operating Ambient Temperature Range		-40 to +100	°C
Maximum Storage Temperature Range	T <sub>STG</sub>	-40 to +150	°C
Max Power Dissipation	P <sub>d</sub>	110 to 131	mW
Moisture Sensitivity Level QFN Package	MSL	1	

\*The maximum package power dissipation must be observed.

1. JESD 51-5 (1S2P Direct-Attach Method) with 0 LFM
2. JESD 51-7 (1S2P Direct-Attach Method) with 0 LFM

# NCP81142

## ELECTRICAL CHARACTERISTICS

Unless otherwise stated:  $-40^{\circ}\text{C} < T_A < 100^{\circ}\text{C}$ ;  $V_{CC} = 5\text{ V}$ ;  $C_{VCC} = 0.1\ \mu\text{F}$

Parameter	Test Conditions	Min	Typ	Max	Unit
-----------	-----------------	-----	-----	-----	------

### ERROR AMPLIFIER

Input Bias Current	@ 1.3 V	-27		27	$\mu\text{A}$
Open Loop DC Gain	CL = 20 pF to GND, RL = 10 k $\Omega$ to GND		80		dB
Open Loop Unity Gain Bandwidth	CL = 20 pF to GND, RL = 10 k $\Omega$ to GND		20		MHz
Slew Rate	$\Delta V_{in} = 100\text{ mV}$ , $G = -10\text{ V/V}$ , $\Delta V_{out} = 1.5\text{ V} - 2.5\text{ V}$ , CL = 20 pF to GND, DC Load = 10k to GND		20		V/ $\mu\text{s}$
Maximum Output Voltage	I <sub>SOURCE</sub> = 2.0 mA	3.5			V
Minimum Output Voltage	I <sub>SINK</sub> = 2.0 mA			1	V

### DIFFERENTIAL SUMMING AMPLIFIER

Input Bias Current	VSP, VSN = 1.3 V	-15		15	$\mu\text{A}$
VSP Input Voltage Range		-0.3		3.0	V
VSN Input Voltage Range		-0.3		0.3	V
-3dB Bandwidth	CL = 20 pF to GND, RL = 10 k $\Omega$ to GND		10		MHz
Closed Loop DC gain	VS+ to VS- = 0.5 to 1.3 V		1.0		V/V

### CURRENT SUMMING AMPLIFIER

Offset Voltage (Vos)		-300		300	$\mu\text{V}$
Input Bias Current	CSSUM = CSREF = 1 V	-10		10	$\mu\text{A}$
Open Loop Gain			80		dB
Current Sense Unity Gain Bandwidth	C <sub>L</sub> = 20 pF to GND, R <sub>L</sub> = 10 k $\Omega$ to GND		10		MHz

### CURRENT BALANCE AMPLIFIER

Maximum CSCOMP Output Voltage	I <sub>source</sub> = 2 mA	3.5			V
Minimum CSCOMP Output Voltage	I <sub>sink</sub> = 500 $\mu\text{A}$			0.1	V
Input Bias Current	CSP <sub>1-4</sub> = CSN <sub>1-4</sub> = 1.2	-50		50	nA
Common Mode Input Voltage Range	CSPx = CSNx	0		2.3	V
Differential Mode Input Voltage Range	CSNx = 1.2 V	-100		100	mV
Input Offset Voltage Matching	CSPx = CSNx = 1.2 V, Measured from the average	-1.5		1.5	mV
Current Sense Amplifier Gain	0 V < CSPx - CSNx < 0.1 V,	5.7	6.0	6.3	V/V
Multiphase Current Sense Gain Matching	CSP - CSN = 10 mV to 30 mV	-3		3	%
-3dB Bandwidth			8		MHz

### INPUT SUPPLY

Supply Voltage Range		4.75		5.25	V
VCC Quiescent Current	EN = high, PS0,1,2 Mode		25		mA
	EN = high, PS3 Mode		15		mA
	EN = low		30		$\mu\text{A}$

3. Guaranteed by design or characterization data, not in production test.

# NCP81142

## ELECTRICAL CHARACTERISTICS

Unless otherwise stated:  $-40^{\circ}\text{C} < T_A < 100^{\circ}\text{C}$ ;  $V_{CC} = 5\text{ V}$ ;  $C_{VCC} = 0.1\ \mu\text{F}$

Parameter	Test Conditions	Min	Typ	Max	Unit
-----------	-----------------	-----	-----	-----	------

### INPUT SUPPLY

UVLO Threshold	VCC rising			4.5	V
	VCC falling	4			V
VCC UVLO Hysteresis			160		mV
UVLO Threshold	VRMP rising			4.2	V
	VRMP falling	3			V

### DAC SLEW RATE

Soft Start Slew Rate			5		mv/ $\mu\text{s}$
Slew Rate Slow			5		mv/ $\mu\text{s}$
Slew Rate Fast			20		mv/ $\mu\text{s}$

### ENABLE INPUT

Enable High Input Leakage Current	External 1k pull-up to 3.3 V			1.0	$\mu\text{A}$
Upper Threshold	$V_{\text{UPPER}}$	0.8			V
Lower Threshold	$V_{\text{LOWER}}$			0.3	V
Total Hysteresis	$V_{\text{UPPER}} - V_{\text{LOWER}}$		90		mV
Enable Delay Time	Measure time from Enable transitioning HI to when DRON goes high			5	ms

### DRON

Output High Voltage	Sourcing 500 $\mu\text{A}$	3.0			V
Output Low Voltage	Sinking 500 $\mu\text{A}$			0.1	V
Rise Time	CL (PCB) = 20 pF, $\Delta V_o = 10\%$ to 90%		156		ns
Fall Time			55		ns
Internal Pull Down Resistance	EN = Low		70		k $\Omega$

### IOUT OUTPUT

Input Referred Offset Voltage	Ilimit to CSREF	-3.5		3.5	mV
Output Source Current	Ilimit sink current = 80 $\mu\text{A}$			850	$\mu\text{A}$
Current Gain	$(I_{\text{OUT CURRENT}}) / (I_{\text{LIMIT CURRENT}})$ , $R_{\text{LIM}} = 20\text{k}$ , $R_{\text{IOUT}} = 5.0\text{k}$ , DAC = 0.8 V, 1.25 V, 1.52 V	9.5	10	10.5	

### OSCILLATOR

Switching Frequency Range		290		590	KHz
4 Phase Operation				600	kHz

### OUTPUT OVER VOLTAGE & UNDER VOLTAGE PROTECTION (OVP & UVP)

Absolute Over Voltage Threshold During Soft Start	CSREF	2.75	2.9	3	V
Over Voltage Threshold Above DAC	VSP rising	350	400	425	mV
Over Voltage Delay	VSP rising to PWMx low		50		ns
Under Voltage	Ckt in development		300		mV
Under-voltage Delay	Ckt in development		5		$\mu\text{s}$

3. Guaranteed by design or characterization data, not in production test.

# NCP81142

## ELECTRICAL CHARACTERISTICS

Unless otherwise stated:  $-40^{\circ}\text{C} < T_A < 100^{\circ}\text{C}$ ;  $V_{CC} = 5\text{ V}$ ;  $C_{VCC} = 0.1\ \mu\text{F}$

Parameter	Test Conditions	Min	Typ	Max	Unit
-----------	-----------------	-----	-----	-----	------

### OVERCURRENT PROTECTION

ILIM Threshold Current (OCP shutdown after 50 $\mu\text{s}$ delay)	(PS0) $R_{lim} = 20\text{k}$	9.0	10	11.0	$\mu\text{A}$
ILIM Threshold Current (immediate OCP shutdown)	(PS0) $R_{lim} = 20\text{k}$	13.5	15	16.5	$\mu\text{A}$
ILIM Threshold Current (OCP shutdown after 50 $\mu\text{s}$ delay)	(PS1, PS2, PS3) $R_{lim} = 20\text{k}$ , N = number of phases in PS0 mode		10/N		$\mu\text{A}$
ILIM Threshold Current (immediate OCP shutdown)	(PS1, PS2, PS3) $R_{lim} = 20\text{k}$ , N = number of phases in PS0 mode		15/N		$\mu\text{A}$

### MODULATORS (PWM Comparators)

0% Duty Cycle	COMP voltage when the PWM outputs remain LO		1.3		V
100% Duty Cycle	COMP voltage when the PWM outputs remain HI $VRMP = 12.0\text{ V}$		2.5		V
PWM Ramp Duty Cycle Matching	COMP = 2 V, PWM Ton matching		1		%
PWM Phase Angle Error	Between adjacent phases at $25^{\circ}$		5		deg
Ramp Feed-forward Voltage range		5		20	V

### VR\_HOT#

Output Low Voltage	$I_{VRHOT} = -4\text{ mA}$			0.3	V
Output Leakage Current	High Impedance State	-1.0		1.0	$\mu\text{A}$

### TSENSE

Alert# Assert Threshold			491		mV
Alert# De-assert Threshold			513		mV
VRHOT Assert Threshold			472		mV
VRHOT Rising Threshold			494		mV
TSENSE Bias Current		115	120	125	$\mu\text{A}$

### ADC

Voltage Range		0		2	V
Total Unadjusted Error (TUE)		-1		+1	%
Differential Nonlinearity (DNL)	8-bit			1	LSB
Power Supply Sensitivity			$\pm 1$		%
Conversion Time			30		$\mu\text{s}$
Round Robin			90		$\mu\text{s}$

### VR\_RDY, (Power Good) OUTPUT

Output Low Saturation Voltage	$I_{VR\_RDY} = 4\text{ mA}$			0.3	V
Rise Time	External pull-up of 1 k $\Omega$ to 3.3 V, $C_{TOT} = 45\text{ pF}$ , $\Delta V_o = 10\%$ to 90%		100		ns
Fall Time	External pull-up of 1 k $\Omega$ to 3.3 V, $C_{TOT} = 45\text{ pF}$ , $\Delta V_o = 90\%$ to 10%		10		ns
Output Voltage at Power-up	VR_RDY pulled up to 5 V via 2 k $\Omega$		1.0		V
Output Leakage Current When High	VR_RDY = 5.0 V	-1.0		1.0	$\mu\text{A}$
VR_RDY Delay (rising)	DAC=TARGET to VR_RDY		5		$\mu\text{s}$
VR_RDY Delay (falling)	From OCP or OVP		5		$\mu\text{s}$

3. Guaranteed by design or characterization data, not in production test.



# NCP81142

## ELECTRICAL CHARACTERISTICS

Unless otherwise stated:  $-40^{\circ}\text{C} < T_A < 100^{\circ}\text{C}$ ;  $V_{CC} = 5\text{ V}$ ;  $C_{VCC} = 0.1\ \mu\text{F}$

Parameter	Test Conditions	Min	Typ	Max	Unit
-----------	-----------------	-----	-----	-----	------

### PWM OUTPUTS

Output High Voltage	Sourcing 500 $\mu\text{A}$	$V_{CC} - 0.2\text{V}$	-	-	V
Output Mid Voltage	No Load, SetPS = 02	1.9	2.0	2.1	V
Output Low Voltage	Sinking 500 $\mu\text{A}$			0.7	V
Rise and Fall Time	CL (PCB) = 50 pF, $\Delta V_o = \text{GND to } V_{CC}$		10		ns

### PHASE DETECTION

CSN Pin Threshold Voltage			4.5		V
Phase Detect Timer			50		$\mu\text{s}$

3. Guaranteed by design or characterization data, not in production test.

### STATE TRUTH TABLE

STATE	VR_RDY Pin	Error AMP Comp Pin	OVP & UVP	DRON Pin	Method of Reset
POR $0 < V_{CC} < UVLO$	N/A	N/A	N/A	Resistive pull down	
Disabled EN < threshold UVLO > threshold	Low	Low	Disabled	Low	
Start up Delay & Calibration EN > threshold UVLO > threshold	Low	Low	Disabled	Low	
DRON Fault EN > threshold UVLO > threshold DRON < threshold	Low	Low	Disabled	Resistive pull up	Driver must release DRON to high
Soft Start EN > threshold UVLO > threshold DRON > High	Low	Operational	Active / No latch	High	
Normal Operation EN > threshold UVLO > threshold DRON > High	High	Operational	Active / Latching	High	N/A
Over Voltage	Low	N/A	DAC + 150 mV	High	
Over Current	Low	Operational	Last DAC Code	Low	
$V_{OUT} = 0\text{ V}$	Low: if Reg34h:bit0 = 0; High: if Reg34h:bit0 = 1	Clamped at 0.9 V	Disabled	High, PWM outputs in low state	

# NCP81142

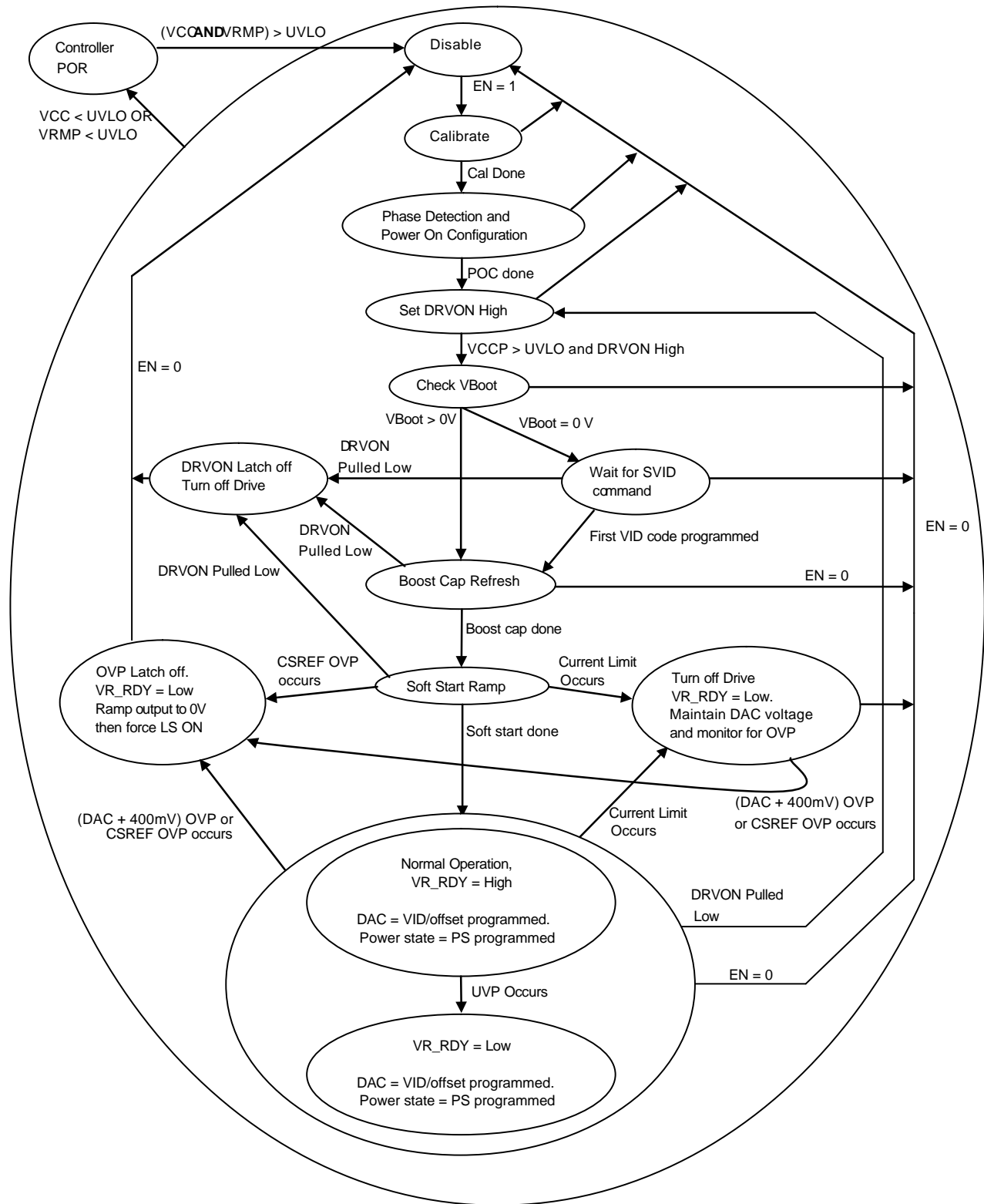


Figure 3.

# NCP81142

## General

The NCP81142 is a four phase dual edge modulated multiphase PWM controller, designed to meet the Intel VR12.5 specifications with a serial SVID control interface. It is designed to work in notebook, desktop, and server applications.

## Serial VID interface (SVID)

For SVID Interface communication details please contact Intel Inc.

## BOOT VOLTAGE PROGRAMMING

The NCP81142 has a Vboot voltage that can be externally programmed. The Boot voltage for the NCP81142 is set using VBOOT pin on power up. A 10uA current is sourced from the Vboot pin and the resulting voltage is measured. This is compared with the thresholds in table below. This value is set on power up and cannot be changed after the initial power up sequence is complete.

### BOOT VOLTAGE TABLE

R	VBoot	Phase Number in PS1
30.1k	0 V	1
49.9k	1.65 V	1
69.8k	1.70 V	1
90.9k	1.75 V	1
130k	0 V	2
150k	1.65 V	2
169k	1.70 V	2
Open	1.75 V	2

## Remote Sense Amplifier

A high performance high input impedance true differential amplifier is provided to accurately sense the output voltage of the regulator. The VSP and VSN inputs should be connected to the regulator's output voltage sense points. The remote sense amplifier takes the difference of the output voltage with the DAC voltage and adds the droop voltage to

$$V_{DIFOUT} = (V_{VSP} - V_{VSN}) + (1.3 \text{ V} - V_{DAC}) + (V_{DROOP} - V_{CSREF})$$

This signal then goes through a standard error compensation network and into the inverting input of the error amplifier. The non-inverting input of the error amplifier is connected to the same 1.3 V reference used for the differential sense amplifier output bias.

## High Performance Voltage Error Amplifier

The Remote Sense Amplifier output is applied to a Type 3 compensation network formed by the error amplifier and external tuning components. The non-inverting input of the error amplifier is connected to the same reference voltage used to bias the Remote Sense Amplifier output. The integrating function of the Type 3 feedback compensation is performed internally and does not require external capacitor Cf1 (see below).

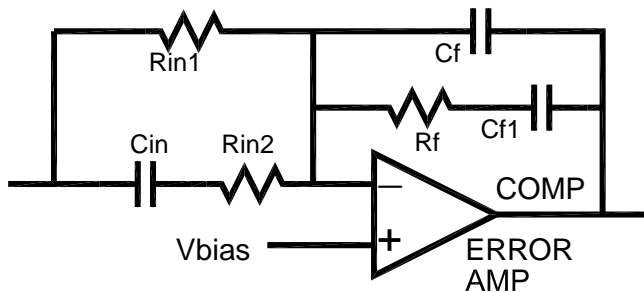


Figure 4. Traditional Type 3 External Compensation

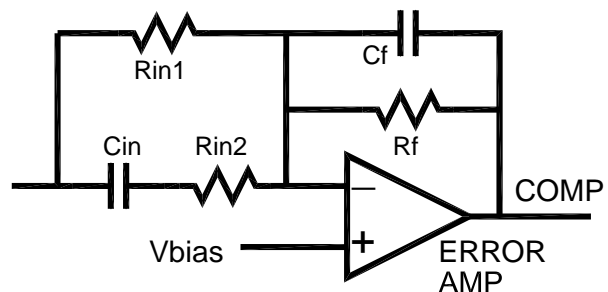


Figure 5. NCP81142 Modified Type 3 External Compensation

Initial tuning should be based on traditional Type 3 compensation. When ideal Type 3 component values have been determined, the closest setting for the internal integrator is should be chosen based on the following table and Rin value used.

## NCP81142

### Rin1 = 1k, Rf = 3k IN NEW CONTROLLER

Address Resistor	Divider Gain from Digital Integrator	Equivalent Cf1 in Type III Network	Equivalent Rf in Type III Network
10k	1	0.079n	3000
22k	2	0.157n	3000
26k	4	0.32n	3000
51k	8	0.63n	3000
68k	10	0.79n	3000
91k	12	0.95n	3000
120k	16	1.26n	3000
160k	32	2.52n	3000
220k	64	5.04n	3000

### Rin1 = 1k, Rf = 5k IN NEW CONTROLLER

Address Resistor	Divider Gain from Digital Integrator	Equivalent Cf1 in Type III Network	Equivalent Rf in Type III Network
10k	1	0.047n	5000
22k	2	0.094n	5000
26k	4	0.19n	5000
51k	8	0.38n	5000
68k	10	0.47n	5000
91k	12	0.57n	5000
120k	16	0.76n	5000
160k	32	1.51n	5000
220k	64	3.02n	5000

### Rin1 = 1k, Rf = 7.5k IN NEW CONTROLLER

Address Resistor	Divider Gain from Digital Integrator	Equivalent Cf1 in Type III Network	Equivalent Rf in Type III Network
10k	1	0.031n	7500
22k	2	0.063n	7500
26k	4	0.13n	7500
51k	8	0.25n	7500
68k	10	0.32n	7500
91k	12	0.38n	7500
120k	16	0.50n	7500
160k	32	1.01n	7500
220k	64	2.02n	7500

### Rin1 = 1k, Rf = 10k IN NEW CONTROLLER

Address Resistor	Divider Gain from Digital Integrator	Equivalent Cf1 in Type III Network	Equivalent Rf in Type III Network
10k	1	0.024n	10000
22k	2	0.047n	10000
26k	4	0.09n	10000

Rin1 = 1k, Rf = 10k IN NEW CONTROLLER

Address Resistor	Divider Gain from Digital Integrator	Equivalent Cf1 in Type III Network	Equivalent Rf in Type III Network
51k	8	0.19n	10000
68k	10	0.24n	10000
91k	12	0.28n	10000
120k	16	0.38n	10000
160k	32	0.76n	10000
220k	64	1.51n	10000

Optimization of the traditional Type 3 compensation should be rechecked using the closest Type 3 Cf1 equivalent in order to determine if readjustment of other component values is needed.

**Differential Current Feedback Amplifiers**

Each phase has a low offset differential amplifier to sense that phase current for current balance. The inputs to the CSNx and CSPx pins are high impedance inputs. It is recommended that any external filter resistor RCSN does not exceed 10 kΩ to avoid offset issues with leakage current. It is also recommended that the voltage sense element be no less than 0.5 mΩ for accurate current balance. Fine tuning of this time constant is generally not required. The individual phase current is summed into the PWM comparator feedback this way current is balanced via a current mode control approach.

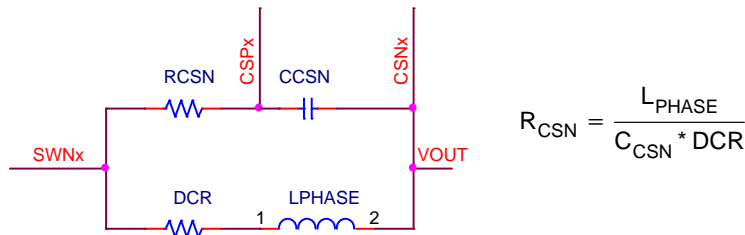


Figure 6.

**Total Current Sense Amplifier**

The NCP81142 uses a patented approach to sum the phase currents into a single temperature compensated total current signal. This signal is then used to generate the output voltage droop, total current limit, and the output current monitoring functions. The total current signal is floating with respect to CSREF. The current signal is the difference between CSCOMP and CSREF. The Ref(n) resistors sum the signals from the output side of the inductors to create a low impedance virtual ground, the capacitor is used to ensure that the CSREF voltage signal integrity. The amplifier actively filters and gains up the voltage applied across the inductors to recover the voltage drop across the inductor series resistance (DCR). Rth is placed near an inductor to sense the temperature of the inductor. This allows the filter time constant and gain to be a function of the Rth NTC resistor and compensate for the change in the DCR with temperature.

# NCP81142

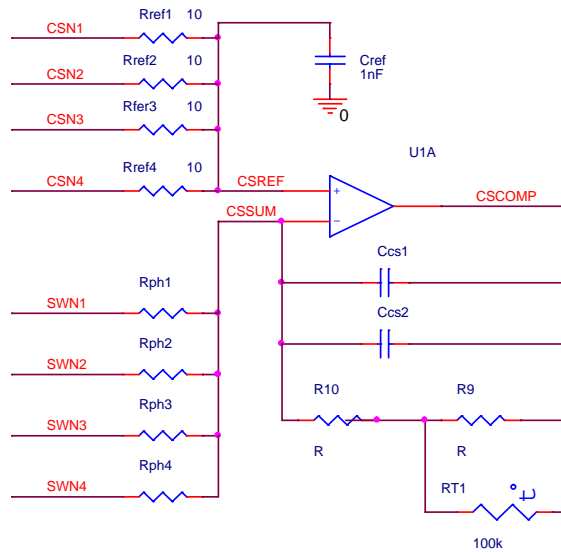


Figure 7.

The DC gain equation for the current sensing:

$$V_{\text{CSCOMP-CSREF}} = \frac{R_{\text{cs2}} + \frac{R_{\text{cs1}} \cdot R_{\text{th}}}{R_{\text{cs1}} + R_{\text{th}}}}{R_{\text{ph}}} \cdot (I_{\text{outTotal}} \cdot \text{DCR})$$

Set the gain by adjusting the value of the Rph resistors. The DC gain should be set to the output voltage droop. If the voltage from CSCOMP to CSREF is less than 100 mV at ICCMAX then it is recommend increasing the gain of the CSCOMP amp. This is required to provide a good current signal to offset voltage ratio for the ILIMIT pin. When no droop is needed, the gain of the amplifier should be set to provide ~100mV across the current limit programming resistor at full load. The values of Rcs1 and Rcs2 are set based on the 100k NTC and the temperature effect of the inductor and should not need to be changed. The NTC should be placed near the closest inductor. The output voltage droop should be set with the droop filter divider.

The pole frequency in the CSCOMP filter should be set equal to the zero from the output inductor. This allows the circuit to recover the inductor DCR voltage drop current signal. Ccs1 and Ccs2 are in parallel to allow for fine tuning of the time constant using commonly available values. It is best to fine tune this filter during transient testing.

$$F_z = \frac{\text{DCR}@25^\circ\text{C}}{2 \cdot \pi \cdot L_{\text{Phase}}}$$

## Programming the Current Limit

The current limit thresholds are programmed with a resistor between the ILIMIT and CSCOMP pins. The ILIMIT pin mirrors the voltage at the CSREF pin and mirrors the sink current internally to IOUT (reduced by the IOUT Current Gain) and the current limit comparators. The 100% current limit trips if the ILIMIT sink current exceeds 10 μA for 50 μs. The 150% current limit trips with minimal delay if the ILIMIT sink current exceeds 15 μA. Set the value of the current limit resistor based on the CSCOMP–CSREF voltage as shown below.

$$R_{\text{LIMIT}} = \frac{\frac{R_{\text{cs2}} + \frac{R_{\text{cs1}} \cdot R_{\text{th}}}{R_{\text{cs1}} + R_{\text{th}}}}{R_{\text{ph}}} \cdot (I_{\text{outLIMIT}} \cdot \text{DCR})}{10\mu} \quad \text{or} \quad R_{\text{LIMIT}} = \frac{V_{\text{CSCOMP-CSREF}@ILIMIT}}{10\mu}$$

## Programming IOUT

The IOUT pin sources a current in proportion to the ILIMIT sink current. The voltage on the IOUT pin is monitored by the internal A/D converter and should be scaled with an external resistor to ground such that a load equal to ICCMAX generates a 2 V signal on IOUT. A pull-up resistor from 5 V VCC can be used to offset the IOUT signal positive if needed.

$$R_{\text{IOUT}} = \frac{2.0 \text{ V} \cdot R_{\text{LIMIT}}}{10 \cdot \frac{R_{\text{cs2}} + \frac{R_{\text{cs1}} \cdot R_{\text{th}}}{R_{\text{cs1}} + R_{\text{th}}}}{R_{\text{ph}}} \cdot (I_{\text{outICCMAX}} \cdot \text{DCR})}$$

# NCP81142

## Programming ICC\_MAX

A resistor to Ground is monitored on startup and this sets the ICC\_MAX value. 10 μA is sourced from these pins to generate a voltage on the program resistor. The resistor value should be no less than 10k.

$$ICC\_MAX = \frac{R * 10 \mu A * 256 A}{2 V}$$

## Programming TSENSE

A temperature sense inputs are provided. A precision current is sourced out the output of the TSENSE pin to generate a voltage on the temperature sense network. The voltage on the temperature sense input is sampled by the internal A/D converter. A 100k NTC similar to the VISHAY ERT–J1VS104JA should be used. Rcomp1 is mainly used for noise. See the specification table for the thermal sensing voltage thresholds and source current.

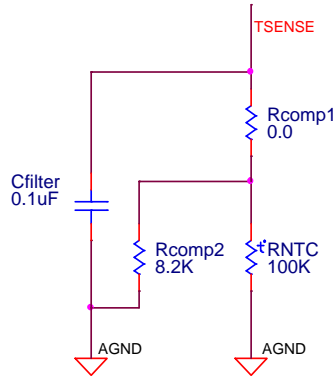


Figure 8.

## Precision Oscillator

A programmable precision oscillator is provided. The clock oscillator serves as the master clock to the ramp generator circuit. This oscillator is programmed by a resistor to ground on the ROSC pin. The oscillator frequency range is between 280 kHz to 650 kHz on the NCP81142. The graph below lists the resistor options and associated frequency setting.

NCP81142 Operating Frequency vs. R<sub>OSC</sub>

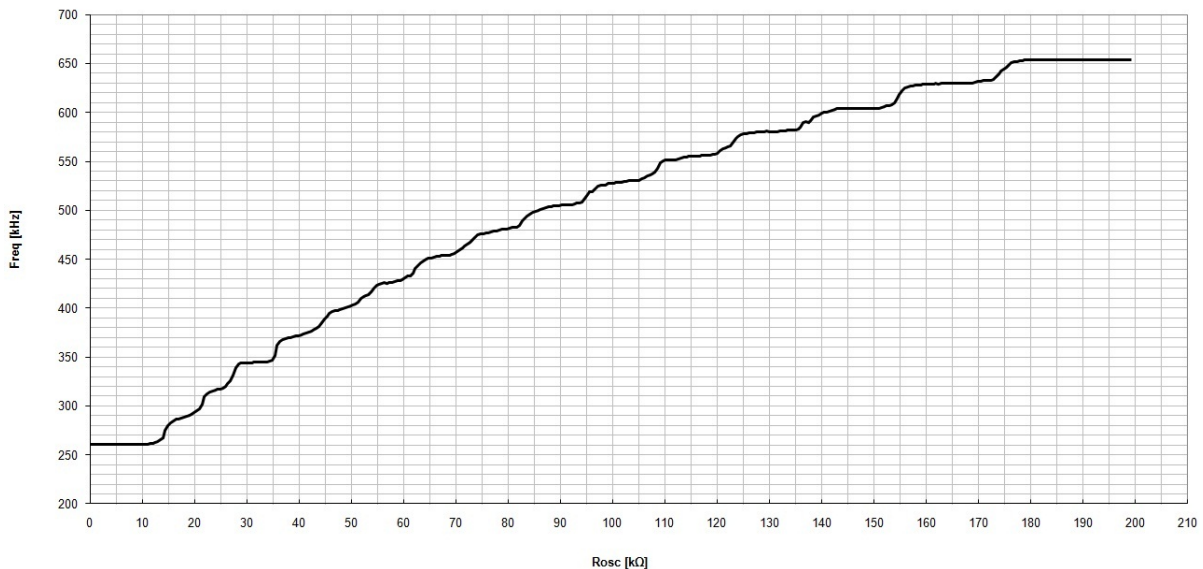


Figure 9. NCP81142 R<sub>OSC</sub> vs. Frequency

## NCP81142

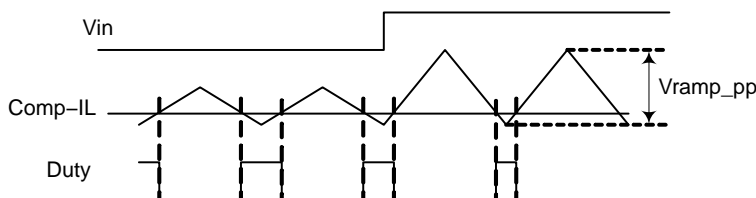
The oscillator generates triangle ramps that are 0.5~2.5 V in amplitude depending on the VRMP pin voltage to provide input voltage feed forward compensation. The ramps are equally spaced out of phase with respect to each other.

### Programming the Ramp Feed-Forward Circuit

The ramp generator circuit provides the ramp used by the PWM comparators. The ramp generator provides voltage feed-forward control by varying the ramp magnitude with respect to the VRMP pin voltage. The VRMP pin also has a 4 V UVLO function. The VRMP UVLO is only active after the controller is enabled. The VRMP pin is high impedance input when the controller is disabled.

The PWM ramp time is changed according to the following,

$$V_{\text{RAMPpk}\leftarrow\text{pkPP}} = 0.1 * V_{\text{VRMP}}$$



### PWM Comparators

The noninverting input of the comparator for each phase is connected to the summed output of the error amplifier (COMP) and each phase current ( $I_L * \text{DCR} * \text{Phase Balance Gain Factor}$ ). The inverting input is connected to the oscillator ramp voltage with a 1.3 V offset. The operating input voltage range of the comparators is from 0 V to 3.0 V and the output of the comparator generates the PWM output.

During steady state operation, the duty cycle is centered on the valley of the sawtooth ramp waveform. The steady state duty cycle is still calculated by approximately  $V_{\text{out}}/V_{\text{in}}$ . During a transient event, the controller will operate in a hysteretic mode with the duty cycles pull in for all phases as the error amp signal increases with respect to all the ramps.

### PHASE DETECTION SEQUENCE

During start-up, the number of operational phases and their phase relationship is determined by the internal circuitry monitoring the CSN Pins. Normally, NCP81142 operates as a 4-phase Vcore PWM controller. Connecting CSN4 pin to VCC programs 3-phase operation, connecting CSN2 and CSN4 pin to VCC programs 2-phase operation, connecting CSN2, CSN3 and CSN4 pin to VCC programs 1-phase operation. Prior to soft start, while ENABLE is high, CSN4 to CSN2 pins sink approximately 50  $\mu\text{A}$ . An internal comparator checks the voltage of each pin versus a threshold of 4.5 V. If the pin is tied to VCC, its voltage is above the threshold. Otherwise, an internal current sink pulls the pin to GND, which is below the threshold. PWM1 is low during the phase detection interval, which takes 30  $\mu\text{s}$ . After this time, if the remaining CSN outputs are not pulled to VCC, the 50  $\mu\text{A}$  current sink is removed, and NCP81142 functions as normal 4 phase controller. If the CSNs are pulled to VCC, the 50  $\mu\text{A}$  current source is removed, and the outputs are driven into a high impedance state.

The PWM outputs are logic-level devices intended for driving fast response external gate drivers such as the NCP5901 and NCP5911. Because each phase is monitored independently, operation approaching 100% duty cycle is possible. In addition, more than one PWM output can be on at the same time to allow overlapping phases.

## PROTECTION FEATURES

### Under voltage Lockouts

There are several under voltage monitors in the system. Hysteresis is incorporated within the comparators. NCP81142 monitors the VCC Shunt supply. The gate driver monitors both the gate driver VCC and the BST voltage. When the voltage on the gate driver is insufficient it will pull DRON low and prevents the controller from being enabled. The gate driver will hold DRON low for a minimum period of time to allow the controller to hold off its startup sequence. In this case the PWM is set to the MID state to begin soft start.

### Gate Driver UVLO Restart



## NCP81142

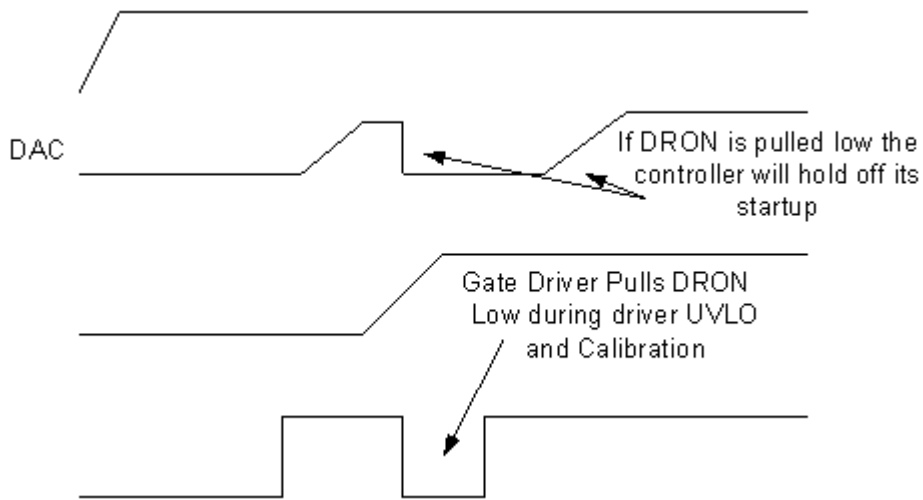


Figure 10.

### Soft Start

Soft start is implemented internally. A digital counter steps the DAC up from zero to the target voltage based on the predetermined rate in the spec table. The PWM signals will start out open with a test current to collect data on phase count and for setting internal registers. After the configuration data is collected, if the controller is enabled the PWMs will be set to 2.0 V MID state to indicate that the drivers should be in diode mode. DRON will then be asserted. As the DAC ramps the PWM outputs will begin to fire. Each phase will move out of the MID state when the first PWM pulse is produced. When the controller is disabled the PWM signal will return to the MID state.

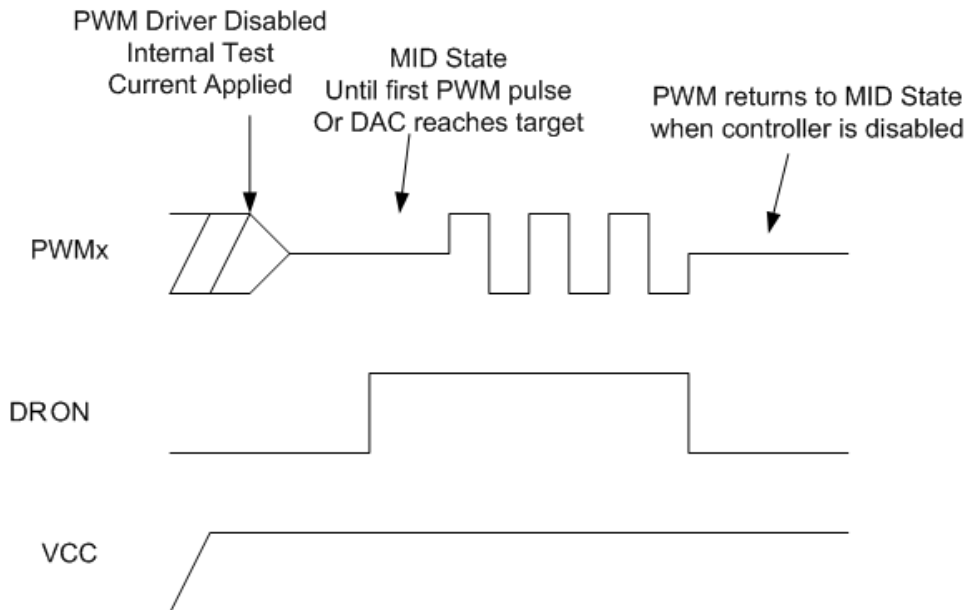


Figure 11.

### Over Current Latch- Off Protection

The NCP81142 compares a programmable current-limit set point to the voltage from the output of the current-summing amplifier. The level of current limit is set with the resistor from the ILIM pin to CSCOMP. The current through the external resistor connected between ILIM and CSCOMP is then compared to the internal current limit current  $I_{CL}$ . If the current generated through this resistor into the ILIM pin ( $I_{lim}$ ) exceeds the internal current-limit threshold current ( $I_{CL}$ ), an internal latch-off counter starts, and the controller shuts down if the fault is not removed after 50  $\mu$ s (shut down immediately for 150% load current) after which the outputs will remain disabled until the  $V_{CC}$  voltage or EN is toggled.

# NCP81142

On startup a *clim1/clim2* current limit protection is enabled once the output voltage has exceeded 250 mV or if the internal DAC voltage has increased above 300 mV, this allow for protection again a *Vout* short to ground. This is necessary because the voltage swing of *CSCOMP* cannot go below ground. This limits the voltage drop across the *DCR* through the current balance circuitry.

The over-current limit is programmed by a resistor on the *ILIM* pin. The resistor value can be calculated by the following equation:

$$R_{ILIM} = \frac{I_{LIM} * DCR * R_{CS} / R_{PH}}{I_{CL}}$$

Where  $I_{CL} = 10 \mu A$

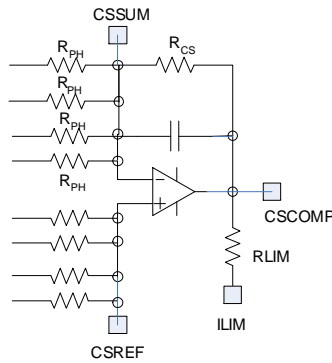


Figure 12.

## Under Voltage Monitor

The output voltage is monitored at the output of the differential amplifier for UVLO. If the output falls more than 300mV below the DAC-DROOP voltage the UVLO comparator will trip sending the *VR\_RDY* signal low.

## Over Voltage Protection

The output voltage is also monitored at the output of the differential amplifier for OVP. During normal operation, if the output voltage exceeds the DAC voltage by 400 mV, the *VR\_RDY* flag goes low, and the DAC will be ramped down to 0 V. At the same time, the high side gate drivers are all turned off and the low side gate drivers are all turned on until the voltage falls to new DAC voltage 0.2 V. The part will stay in this mode until the *V<sub>CC</sub>* voltage or *EN* is toggled.

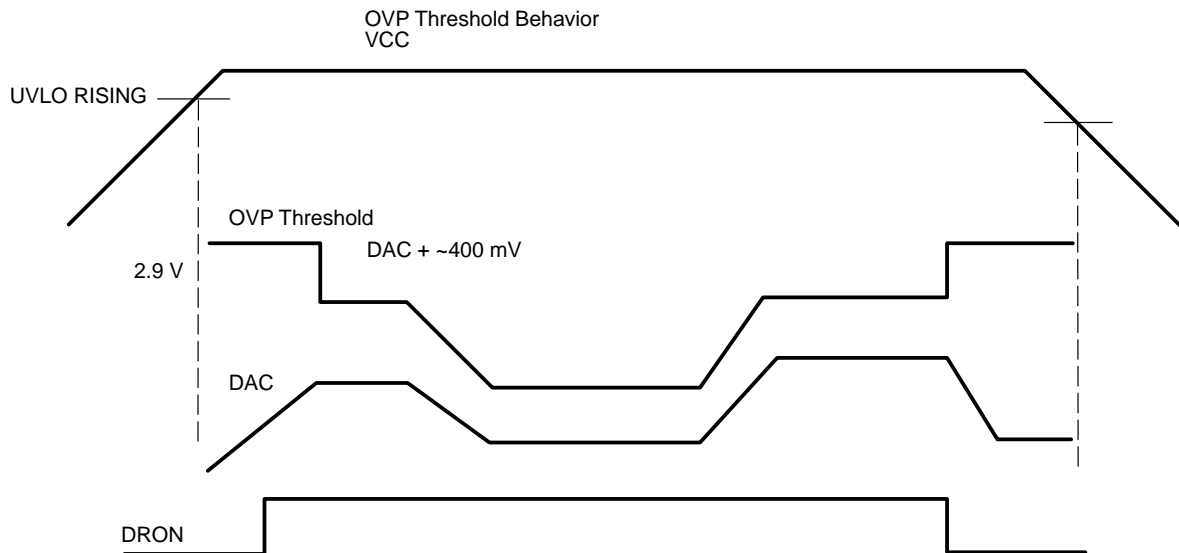


Figure 13. OVP Threshold Behavior

# NCP81142

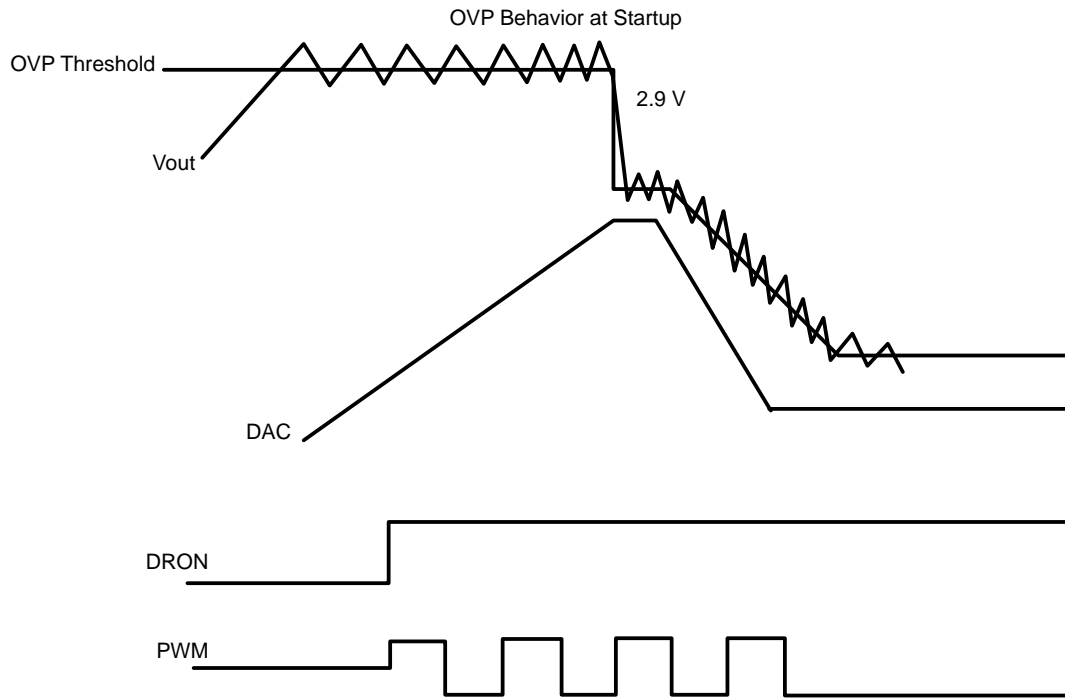


Figure 14. OVP Behavior at Startup

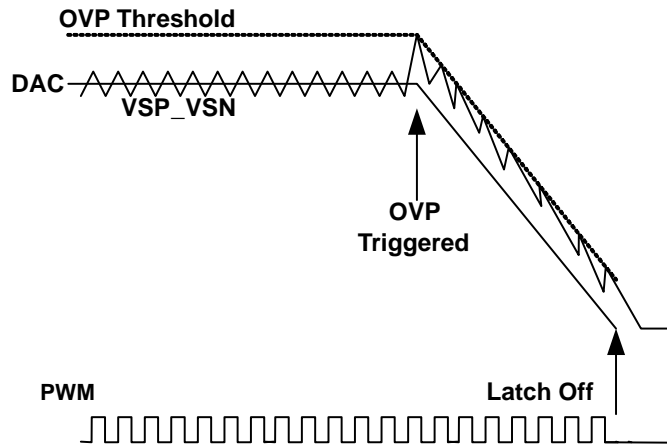


Figure 15. OVP During Normal Operation Mode

During start up, the OVP threshold is set to 2.9 V. This allows the controller to start up without false triggering the OVP.

## ORDERING INFORMATION

Device	Package	Shipping†
NCP81142MNTXG	QFN32 (Pb-Free)	4000 / Tape & Reel

†For information on tape and reel specifications, including part orientation and tape sizes, please refer to our Tape and Reel Packaging Specifications Brochure, BRD8011/D.

# MECHANICAL CASE OUTLINE

## PACKAGE DIMENSIONS

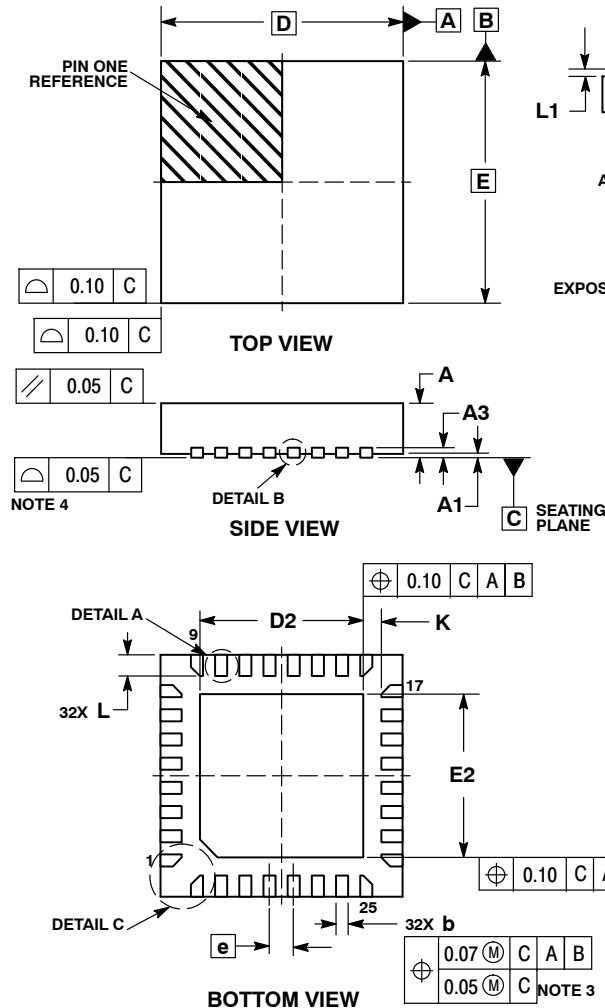
ON Semiconductor®



SCALE 2:1

**QFN32 4x4, 0.4P**  
CASE 485CD  
ISSUE A

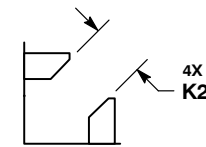
DATE 09 OCT 2012



**DETAIL A**  
ALTERNATE TERMINAL  
CONSTRUCTIONS



**DETAIL B**  
ALTERNATE  
CONSTRUCTION



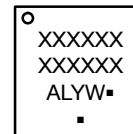
**DETAIL C**  
CORNER LEAD  
CONSTRUCTION

**NOTES:**

1. DIMENSIONING AND TOLERANCING PER ASME Y14.5M, 1994.
2. CONTROLLING DIMENSION: MILLIMETERS.
3. DIMENSION b APPLIES TO PLATED TERMINAL AND IS MEASURED BETWEEN 0.15 AND 0.30 MM FROM TERMINAL TIP.
4. COPLANARITY APPLIES TO THE EXPOSED PAD AS WELL AS THE TERMINALS.

MILLIMETERS		
DIM	MIN	MAX
A	0.80	1.00
A1	0.00	0.05
A3	0.20 REF	
b	0.15	0.25
D	4.00 BSC	
D2	2.60	2.80
E	4.00 BSC	
E2	2.60	2.80
e	0.40 BSC	
K	0.30 REF	
K2	0.45 REF	
L	0.25	0.45
L1	---	0.15

**GENERIC MARKING DIAGRAM\***

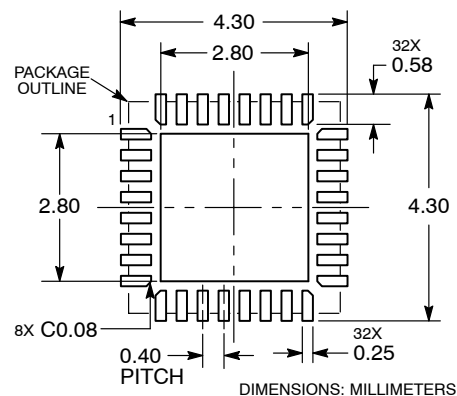


- XXXXXX = Specific Device Code
- A = Assembly Location
- L = Wafer Lot
- Y = Year
- W = Work Week
- = Pb-Free Package

(Note: Microdot may be in either location)

\*This information is generic. Please refer to device data sheet for actual part marking. Pb-Free indicator, "G", may or not be present.

**RECOMMENDED MOUNTING FOOTPRINT**



<b>DOCUMENT NUMBER:</b>	<b>98AON66248E</b>	Electronic versions are uncontrolled except when accessed directly from the Document Repository. Printed versions are uncontrolled except when stamped "CONTROLLED COPY" in red.
<b>DESCRIPTION:</b>	<b>QFN32 4X4, 0.4P</b>	<b>PAGE 1 OF 1</b>

ON Semiconductor and ON are trademarks of Semiconductor Components Industries, LLC dba ON Semiconductor or its subsidiaries in the United States and/or other countries. ON Semiconductor reserves the right to make changes without further notice to any products herein. ON Semiconductor makes no warranty, representation or guarantee regarding the suitability of its products for any particular purpose, nor does ON Semiconductor assume any liability arising out of the application or use of any product or circuit, and specifically disclaims any and all liability, including without limitation special, consequential or incidental damages. ON Semiconductor does not convey any license under its patent rights nor the rights of others.

**onsemi**, **Onsemi**, and other names, marks, and brands are registered and/or common law trademarks of Semiconductor Components Industries, LLC dba "**onsemi**" or its affiliates and/or subsidiaries in the United States and/or other countries. **onsemi** owns the rights to a number of patents, trademarks, copyrights, trade secrets, and other intellectual property. A listing of **onsemi**'s product/patent coverage may be accessed at [www.onsemi.com/site/pdf/Patent-Marking.pdf](http://www.onsemi.com/site/pdf/Patent-Marking.pdf). **onsemi** reserves the right to make changes at any time to any products or information herein, without notice. The information herein is provided "as-is" and **onsemi** makes no warranty, representation or guarantee regarding the accuracy of the information, product features, availability, functionality, or suitability of its products for any particular purpose, nor does **onsemi** assume any liability arising out of the application or use of any product or circuit, and specifically disclaims any and all liability, including without limitation special, consequential or incidental damages. Buyer is responsible for its products and applications using **onsemi** products, including compliance with all laws, regulations and safety requirements or standards, regardless of any support or applications information provided by **onsemi**. "Typical" parameters which may be provided in **onsemi** data sheets and/or specifications can and do vary in different applications and actual performance may vary over time. All operating parameters, including "Typicals" must be validated for each customer application by customer's technical experts. **onsemi** does not convey any license under any of its intellectual property rights nor the rights of others. **onsemi** products are not designed, intended, or authorized for use as a critical component in life support systems or any FDA Class 3 medical devices or medical devices with a same or similar classification in a foreign jurisdiction or any devices intended for implantation in the human body. Should Buyer purchase or use **onsemi** products for any such unintended or unauthorized application, Buyer shall indemnify and hold **onsemi** and its officers, employees, subsidiaries, affiliates, and distributors harmless against all claims, costs, damages, and expenses, and reasonable attorney fees arising out of, directly or indirectly, any claim of personal injury or death associated with such unintended or unauthorized use, even if such claim alleges that **onsemi** was negligent regarding the design or manufacture of the part. **onsemi** is an Equal Opportunity/Affirmative Action Employer. This literature is subject to all applicable copyright laws and is not for resale in any manner.

## PUBLICATION ORDERING INFORMATION

### LITERATURE FULFILLMENT:

Email Requests to: [orderlit@onsemi.com](mailto:orderlit@onsemi.com)

**onsemi Website:** [www.onsemi.com](http://www.onsemi.com)

### TECHNICAL SUPPORT

**North American Technical Support:**

Voice Mail: 1 800-282-9855 Toll Free USA/Canada

Phone: 011 421 33 790 2910

**Europe, Middle East and Africa Technical Support:**

Phone: 00421 33 790 2910

For additional information, please contact your local Sales Representative