

NCP2704

Audio Management Integrated Circuit with 2.8 W Class D and LongPlay True Ground Headphone Amplifier

The NCP2704 is a cost effective audio subsystem designed for portable applications such as cellular phones and portable media player. It has been designed to cover the power audio requirements in portable equipment: including a high fidelity Class D speaker amplifier and a Class G equivalent LongPlay true ground headphone amplifier. This patented headphone amplifier circuitry allows the removal of the bulky output capacitors and minimize audio playback current consumption with minimum external components. In addition the user can set the output swing to have enough output dynamic even when a damping resistor is added.

Through a flexible I²C interface, NCP2704 can support both single ended and differential types of analog input signal. In both cases, it offers a zero pop noise signature. The same interface allows a user defined architecture with an input control, highly accurate gain setting capability from -60 dB to +12 dB and output control. In addition NCP2704 offers the possibility to reduce the EMI perturbation by lowering the rise and fall times of the Class D outputs (software programmable). The Loudspeaker also amplifier includes an AGC which performs two functions: limiter and non-clipping.

Features

- Flexible MUX Capability and Volume Control
 - ◆ Separated Mixer Control Between Loudspeaker and Headset
 - ◆ Support Either Differential or Single-ended Input
- High Sound Quality
 - ◆ -100 dB PSRR on Headphone Amplifier
 - ◆ -80 dB PSRR on Loudspeaker Amplifier
 - ◆ 0.02% THD+N at 1 kHz on Headset Amplifier
 - ◆ 0.1% THD+N at 1 kHz on Loudspeaker Amplifier
- Low EMI Filterless Class D Loudspeaker Amplifier, Programmable High Efficiency or Low EMI Mode
- Programmable AGC: Non-Clipping or Power Limit (Loudspeaker Output)
- Long Play True Ground Headphone Amplifier, Programmable Output Swing (Up to 5 V_{pp})
- I²C Control
- Software Shutdown
- No Pop and Click Noise
- TDMA Noise Free
- Thermal and Short-Circuit Protection



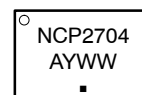
ON Semiconductor®

<http://onsemi.com>

MARKING DIAGRAM

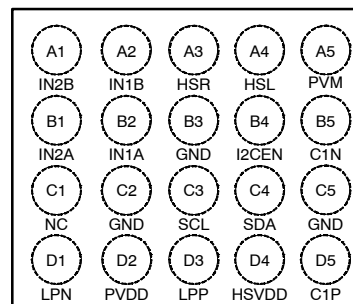


A1
20 PIN CSP
FC SUFFIX
CASE 499BH



NCP2704 = Specific Device Code
A = Assembly Location
Y = Year
WW = Work Week
▪ = Pb-Free Package

PINOUT



ORDERING INFORMATION

See detailed ordering and shipping information in the package dimensions section on page 27 of this data sheet.

- 20-Bump Chip Scale Package (2.5 x 2.0 mm)
- This is a Pb-Free Device

Typical Applications

- Cellular Phones
- Portable Media Player

NCP2704

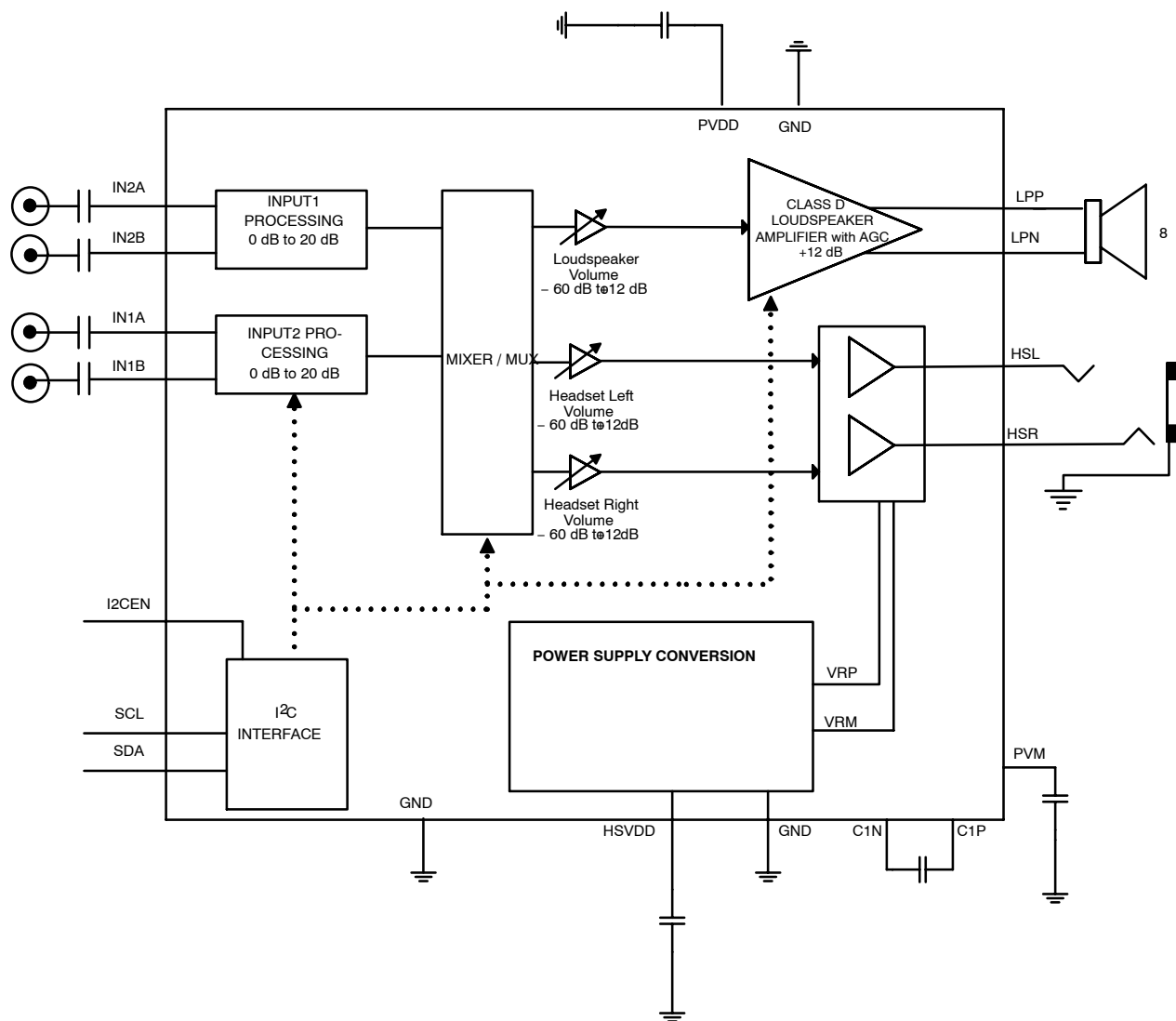


Figure 1. Simplified Block Diagram

NCP2704

PIN FUNCTION DESCRIPTION

Pin	Pin Name	Type	Description
B2	IN1A	Input	First audio input. It is paired with IN1B. This pin is configured for single ended or differential types of input, pending on the I ² C programming.
A2	IN1B	Input	First audio input. It is paired with IN1A. This pin is configured for single ended or differential types of input, pending on the I ² C programming.
B1	IN2A	Input	Second audio input. It is paired with IN2B. This pin is configured for single ended or differential types of input, pending on the I ² C programming.
A1	IN2B	Input	Second audio input. It is paired with IN2A. This pin is configured for single ended or differential types of input, pending on the I ² C programming.
C3	SCL	Input	Clock input for the I ² C bus.
C4	SDA	Input / Output	Data input for the I ² C bus.
B3	GND	Power	Analog ground.
D4	HSV _{DD}	Power	Power supply dedicated to the charge pump and the headset amplifier. A low ESR ceramic capacitor to ground is required.
C5	GND	Power	Power ground dedicated to the charge pump and the headset amplifier.
C2	GND	Power	Power ground dedicated to the loudspeaker and the receiver.
A3	HSR	Output	Headset amplifier right output.
A4	HSL	Output	Headset amplifier left output.
D1	LPN	Output	Loudspeaker negative output.
D3	LPP	Output	Loudspeaker positive output.
D2	PV _{DD}	Power	Power supply. A low ESR ceramic capacitor to ground is required.
B4	I2CEN	Input	I ² C enable pin
D5	C1P	Output	Charge pump flying capacitor positive capacitor.
B5	C1N	Output	Charge pump flying capacitor negative capacitor.
A5	PVM	Output	Charge pump output. This is the symmetrical voltage of the power supply applied on the HSV _{BAT} . A low ESR ceramic capacitor to ground is required.
C1	NC	-	Not connected pin

NCP2704

MAXIMUM RATINGS

Rating	Symbol	Value	Unit
PV _{DD} : Power Supply Voltage (Note 1)	V _{IN}	-0.3 to + 6.0	V
HSV _{DD} (Note 1)	V _{IN}	-0.3 to + 4.5	V
Other Pins (Note 1)	V _{YY}	-0.3 to P _{VDD} + 0.3	V
Human Body Model (HBM) ESD Rating are (Note 2)	ESD HBM	2000	V
Machine Model (MM) ESD Rating are (Note 2)	ESD MM	200	V
CSP 2.5 x 2 mm package (Notes 6 and 7) Thermal Resistance Junction-to-Case	R _{θJC}	Note 7	°C/W
Operating Ambient Temperature Range	T _A	-40 to +85	°C
Operating Junction Temperature Range	T _J	-40 to +125	°C
Maximum Junction Temperature (Note 6)	T _{JMAX}	+150	°C
Storage Temperature Range	T _{STG}	-65 to +150	°C
Moisture Sensitivity (Note 5)	MSL	Level 1	

Stresses exceeding Maximum Ratings may damage the device. Maximum Ratings are stress ratings only. Functional operation above the Recommended Operating Conditions is not implied. Extended exposure to stresses above the Recommended Operating Conditions may affect device reliability.

1. Maximum electrical ratings are defined as those values beyond which damage to the device may occur at T_A = 25°C.
2. According to JEDEC standard JESD22-A108B.
3. This device series contains ESD protection and passes the following tests:
Human Body Model (HBM) ±2.0 kV per JEDEC standard: JESD22-A114 for all pins.
Machine Model (MM) ±200 V per JEDEC standard: JESD22-A115 for all pins.
4. Latch up Current Maximum Rating: ±100 mA per JEDEC standard: JESD78 Class II.
5. Moisture Sensitivity Level (MSL): 1 per IPC/JEDEC standard: J-STD-020A.
6. The thermal shutdown set to 160°C (typical) avoids irreversible damage on the device due to power dissipation.
7. The R_{θCA} is dependent of the PCB heat dissipation. The maximum power dissipation (P_D) is dependent by the min input voltage, the max output current and external components selected.

$$R_{\theta CA} = \frac{125 - T_A}{P_D} - R_{\theta JC}$$

NCP2704

ELECTRICAL CHARACTERISTICS Min and Max Limits apply for T_A between -40°C to $+85^{\circ}\text{C}$ and T_J up to $+125^{\circ}\text{C}$ for PV_{DD} between 2.5 V to 5.5 V (Unless otherwise noted). Typical values are referenced to $T_A = +25^{\circ}\text{C}$ and $PV_{DD} = 3.6\text{ V}$, $HSV_{DD} = 1.8\text{ V}$.

Symbol	Parameter	Conditions	Min	Typ	Max	Unit
GENERAL						
PV_{DD}	Supply voltage range		2.5		5.5	V
HSV_{DD}	Supply voltage range		1.6		3.6	V
I_{SD}	Shutdown current	Soft shutdown PV_{DD} HSV_{DD}		0.1	1	μA
I_Q	Quiescent current	Headset mode at $T_a = 25^{\circ}\text{C}$, $PV_{DD} = 3.6\text{ V}$, $HSV_{DD} = 1.8\text{ V}$ PV_{DD} HSV_{DD} Speaker mode at $T_a = 25^{\circ}\text{C}$, $PV_{DD} = 3.6\text{ V}$, $HSV_{DD} = 1.8\text{ V}$ PV_{DD} HSV_{DD} Headset + Speaker mode at $T_a =$ 25°C , $PV_{DD} = 3.6\text{ V}$, $HSV_{DD} = 1.8\text{ V}$ PV_{DD} HSV_{DD}		0.1 2 2.2 1.8 2.2 2.8	0.25 2.5 2.8 2.1 2.8 3.3	mA
R_{IN}	Input resistance		18	20	24	$\text{k}\Omega$
CMRR	Common mode rejection ratio	$F = 1\text{ kHz}$, differential input mode		-80		dB
T_{SD}	Thermal shutdown temperature			160		$^{\circ}\text{C}$
T_{SD_hyst}	Thermal shutdown temperature hysteresis			20		$^{\circ}\text{C}$
UVLO1	Undervoltage lockout on PV_{DD}			2.2		V
UVLO1 _{hys}	UVLO hysteresis on PV_{DD}			150		mV
UVLO2	Undervoltage lockout on HSV_{DD}			1.4		V
UVLO2 _{hys}	UVLO hysteresis on HSV_{DD}			100		mV

VOLUME CONTROL

	Digital volume range Loudspeaker	Minimum gain Maximum gain		-60 12		dB
	Digital volume range Headset	Minimum gain Maximum gain		-60 12		dB
	Preamplifier gain	Input 1 or 2 $INxG = 00$ $INxG = 01$ $INxG = 10$ $INxG = 11$		0 +6 +12 +20		dB
	Maximum gain setting Headset	$INxG = 11$ and gain control = 110100		+32		dB
	Maximum gain setting Speaker	$INxG = 11$ and gain control = 100111 (speaker amplifier has a gain of +12 dB)		+44		dB

8. Guaranteed by design and characterized.

NCP2704

ELECTRICAL CHARACTERISTICS Min and Max Limits apply for T_A between -40°C to $+85^{\circ}\text{C}$ and T_J up to $+125^{\circ}\text{C}$ for PV_{DD} between 2.5 V to 5.5 V (Unless otherwise noted). Typical values are referenced to $T_A = +25^{\circ}\text{C}$ and $PV_{DD} = 3.6\text{ V}$, $HSV_{DD} = 1.8\text{ V}$.

Symbol	Parameter	Conditions	Min	Typ	Max	Unit
LOUDSPEAKER						
$ V_{OS} $	Absolute Offset Voltage	Inputs AC Grounded		± 1		mV
$R_{DS(ON)}$	Static drain-source on-state resistance for both P and NMOS (Note x)			200	300	$m\Omega$
Z_{SD}	Output Impedance in Shutdown Mode			20		$k\Omega$
I_{BR}	Current Breaker Threshold			2		A
F_{LP}	-3 dB Cut off Frequency of the Built in Low Pass Filter			30		kHz
F_{SW1}	Class D Switching Frequency			300		kHz
T_{ON}	Turn On Time			4		ms
T_{OFF}	Turn Off Time	No audio signal and outputs tied to GND		8		ms
P_O	RMS Output Power	$R_L = 8\ \Omega$, $F = 1\text{ kHz}$, $THD+N < 1\%$ $PV_{DD} = 2.5\text{ V}$ $PV_{DD} = 3.0\text{ V}$ $PV_{DD} = 3.6\text{ V}$ $PV_{DD} = 4.2\text{ V}$ $PV_{DD} = 5.0\text{ V}$		0.33 0.49 0.75 0.97 1.4		W
P_O	RMS Output Power	$R_L = 8\ \Omega$, $F = 1\text{ kHz}$, $THD+N < 10\%$ $PV_{DD} = 2.5\text{ V}$ $PV_{DD} = 3.0\text{ V}$ $PV_{DD} = 3.6\text{ V}$ $PV_{DD} = 4.2\text{ V}$ $PV_{DD} = 5.0\text{ V}$		0.41 0.60 0.87 1.20 1.7		W
THD+N	Total Harmonic Distortion + Noise	$PV_{DD} = 5.0\text{ V}$, $P_{OUT} = 1\text{ W}$, $R_L = 8\ \Omega$ $PV_{DD} = 3.6\text{ V}$, $P_{OUT} = 0.35\text{ W}$, $R_L = 8\ \Omega$		0.1 0.1		%
SNR	Signal to Noise Ratio	$PV_{DD} = 3.6\text{ V}$, $P_{OUT} = 0.8\text{ W}$, $R_L = 8\ \Omega$		94		dB
CMRR	Common Mode Rejection Ratio	$V_{ic} = 0.5\text{ V}$ to $(V_{DD} - 0.8\text{ V})$ $R_L = 8\ \Omega$, V_{ripple_pk-pk} $F = 20\text{ Hz}$ to 20 kHz		-80		dB
PSRR	Power Supply Rejection Ratio	$V_{Pripple_pk-pk} = 200\text{ mV}$, $R_L = 8\ \Omega$ Inputs AC grounded $F = 217\text{ Hz}$, Gain = 0 dB		-80		dB
η	Efficiency	$R_L = 8\ \Omega$, $F = 1\text{ kHz}$ $PV_{DD} = 3.6\text{ V}$, $P_{OUT} = 0.6\text{ W}$		87		%

8. Guaranteed by design and characterized.

NCP2704

ELECTRICAL CHARACTERISTICS Min and Max Limits apply for T_A between -40°C to $+85^{\circ}\text{C}$ and T_J up to $+125^{\circ}\text{C}$ for PV_{DD} between 2.5 V to 5.5 V (Unless otherwise noted). Typical values are referenced to $T_A = +25^{\circ}\text{C}$ and $PV_{DD} = 3.6\text{ V}$, $HSV_{DD} = 1.8\text{ V}$.

Symbol	Parameter	Conditions	Min	Typ	Max	Unit
HEADSET						
V_{OS}	Output offset voltage	Input AC grounded		± 1		mV
T_{WU}	Turning On time	Slow = 1 Slow = 0		1 34		ms
V_{LP}	Max Output Swing (peak value) (output in phase) (see LDO programming table, $\leq HSV_{DD} - 200\text{ mV}$)	$HSV_{DD} = 1.8\text{ V}$, Headset = $16\ \Omega$ $HSV_{DD} = 2.5\text{ V}$, Headset = $16\ \Omega$ $HSV_{DD} = 1.8\text{ V}$, Headset = $32\ \Omega$ $HSV_{DD} = 2.7\text{ V}$, Headset = $32\ \Omega$ $HSV_{DD} = 1.8\text{ V}$, No load $HSV_{DD} = 2.7\text{ V}$, No load		1 1.65 1.3 2 1.6 2.5		V_{peak}
P_O	Max Output Power	$HSV_{DD} = 1.8\text{V}$, THD+N = 1% Headset = $16\ \Omega$ Headset = $32\ \Omega$		30 26		mW
P_O	Max Output Power	$HSV_{DD} = 2.5\text{V}$, THD+N = 1% Headset = $16\ \Omega$ Headset = $32\ \Omega$		86 62		mW
	Crosstalk			-75		dB
PSRR	Power Supply Rejection Ratio	Inputs Shorted to Ground Gain = 0 dB F = 217 Hz to 1 kHz		-100		dB
THD+N	Total Harmonic Distortion + Noise	Headset = $16\ \Omega$ $P_{OUT} = 15\text{ mW}$, F = 1 kHz		0.015		%
THD+N	Total Harmonic Distortion + Noise	Headset = $32\ \Omega$ $V_{OUT} = 400\text{ mV}$, F = 1 kHz		-75		dB
C_{OUT}	Maximum Output Capacitance to Ground			100		pF
Z_{SD}	Output Impedance in Shutdown Mode			25		$k\Omega$
	Channel to channel gain tolerance	$T_A = +25^{\circ}\text{C}$, volume at 0 dB		± 0.3	± 2.5	%
F_{SW2}	Headset charge pump switching frequency	$P_O > 500\ \mu\text{W}$		1.2		MHz
F_{SW3}	Headset charge pump switching frequency	$P_O < 500\ \mu\text{W}$		150		KHz
SNR	Signal to Noise Ratio	$HSV_{DD} = 1.8\text{ V}$, $P_{OUT} = 20\text{ mW}$, $R_L = 16\ \Omega$		97		dB

8. Guaranteed by design and characterized.

NCP2704

ELECTRICAL CHARACTERISTICS Min and Max Limits apply for T_A between -40°C to $+85^{\circ}\text{C}$ and T_J up to $+125^{\circ}\text{C}$ for PV_{DD} between 2.5 V to 5.5 V (Unless otherwise noted). Typical values are referenced to $T_A = +25^{\circ}\text{C}$ and $PV_{DD} = 3.6\text{ V}$, $HSV_{DD} = 1.8\text{ V}$.

Symbol	Parameter	Conditions	Min	Typ	Max	Unit
I²C INTERFACE (Note 8)						
V_{IL}	Low input voltage level		-0.5		$0.3 * V_{BAT}$	V
V_{IH}	High input voltage level		$0.7 * V_{BAT}$		$V_{BAT} + 0.5$	V
V_{OL}	Low level output voltage		0		$0.2 * V_{BAT}$	V
$F_{CLK-MAX}$	Clock maximum speed		400			kHz
$t_{HD-START}$	Hold time (repeated) start condition		0.6			μs
t_{LOW}	Low period of SCL clock		1.3			μs
t_{HIGH}	High period of SCL clock		0.6			μs
$t_{SU-START}$	Setup time for a repeated start condition		0.6			μs
t_{SU-STO}	Setup time for STOP condition		0.6			μs

8. Guaranteed by design and characterized.

NCP2704

TYPICAL OPERATING CHARACTERISTICS Loudspeaker

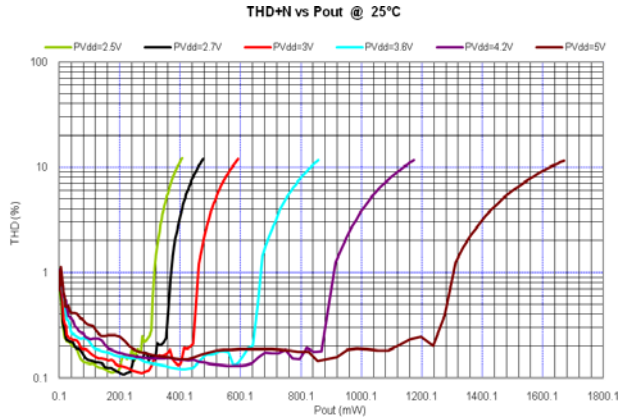


Figure 2. THD+N vs P_{out}, 8 Ω load

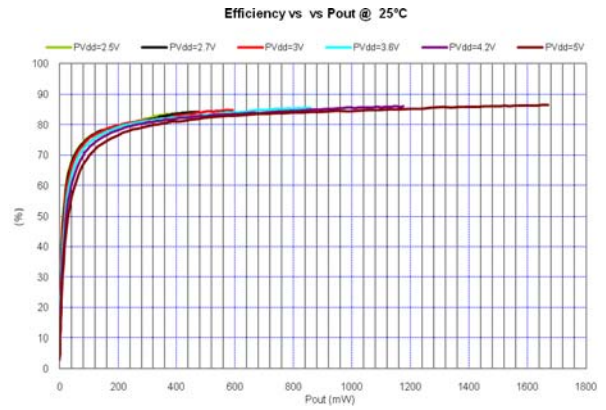


Figure 3. Efficiency vs P_{out}

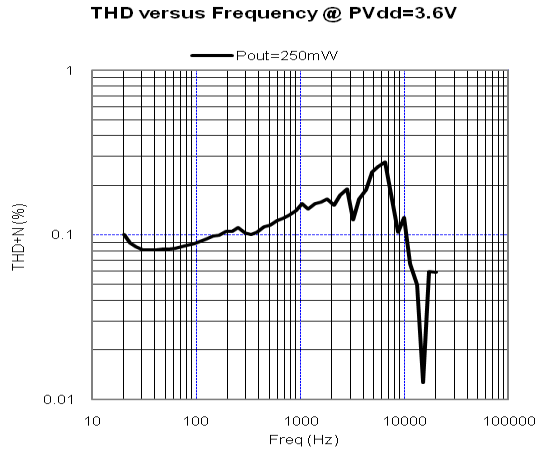


Figure 4. THD+N vs Frequency at P_{VDD} = 3.6 V

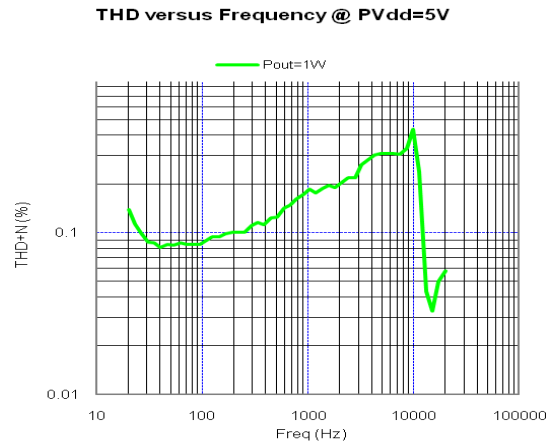


Figure 5. THD+N vs Frequency at P_{VDD} = 5 V

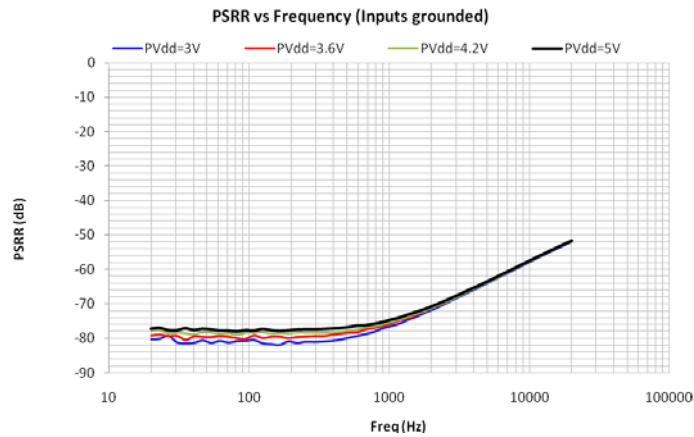


Figure 6. PSRR vs Frequency

NCP2704

TYPICAL OPERATING CHARACTERISTICS Headphone

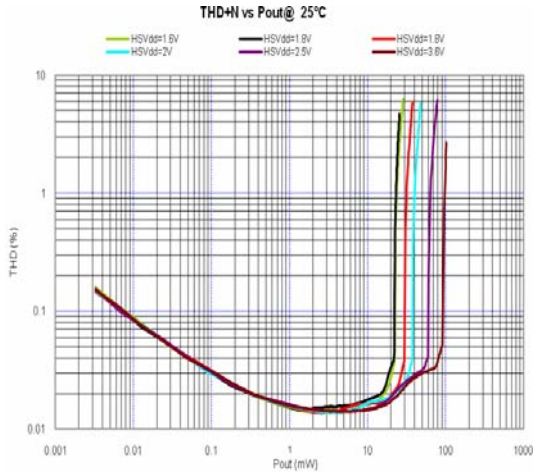


Figure 7. THD+N vs P_{out} , 32 Ω Load in Phase

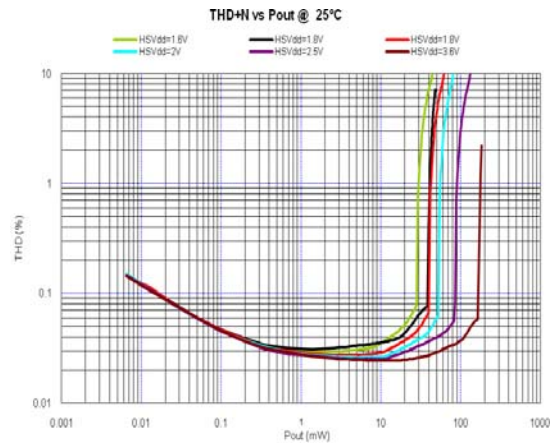


Figure 8. THD+N vs P_{out} , 16 Ω Load in Phase

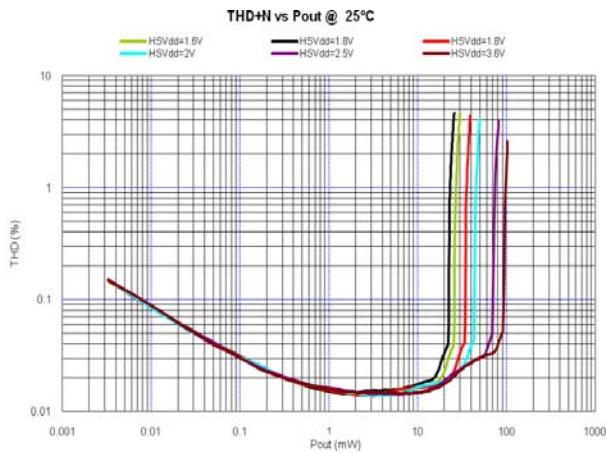


Figure 9. THD+N vs P_{out} , 32 Ω Load Out of Phase

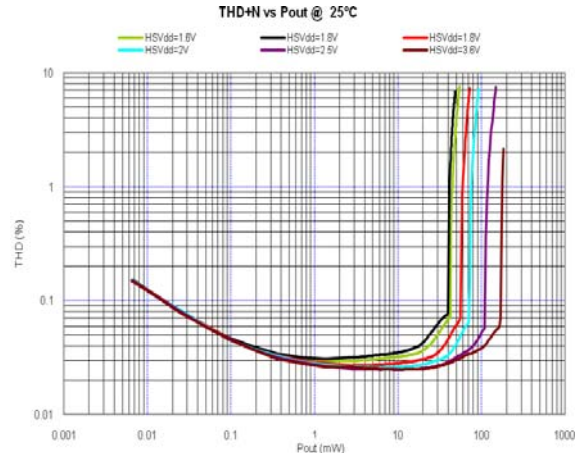


Figure 10. THD+N vs P_{out} , 16 Ω Load Out of Phase

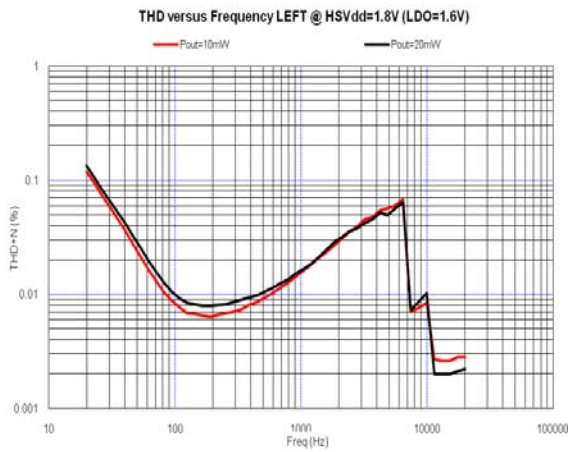


Figure 11. THD+N vs Frequency, 32 Ω Load in Phase, Left Channel

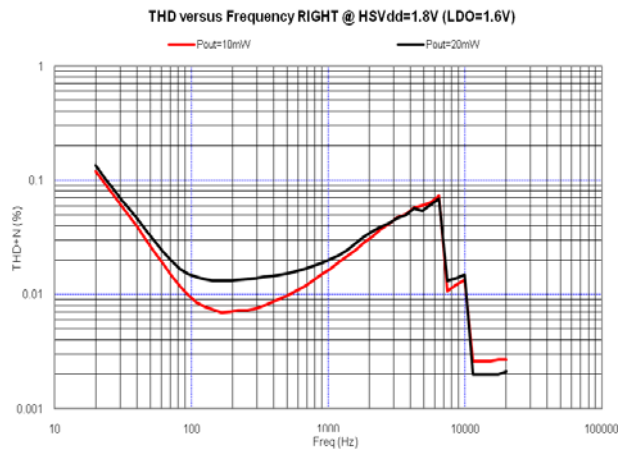


Figure 12. THD+N vs Frequency, 32 Ω Load in Phase, Right Channel

NCP2704

TYPICAL OPERATING CHARACTERISTICS Headphone

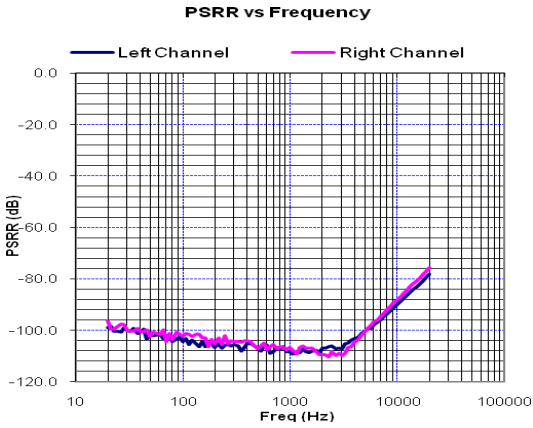


Figure 13. PSRR vs Frequency

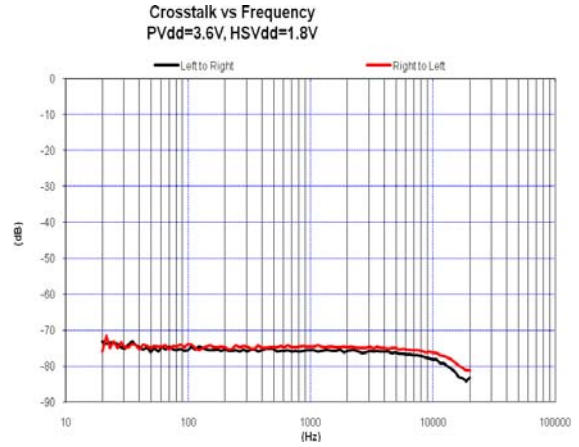


Figure 14. Crosstalk vs Frequency

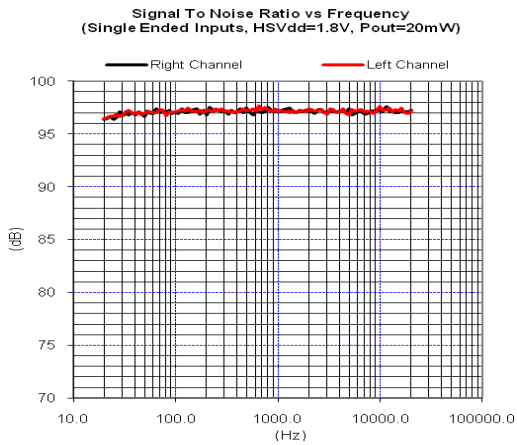


Figure 15. SNR vs Frequency at $P_{out} = 20\text{ mW}$

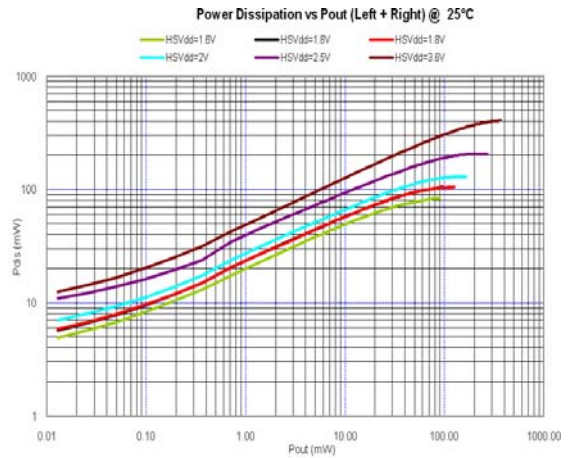


Figure 16. Power Dissipation vs P_{out} with $16\ \Omega$ Load

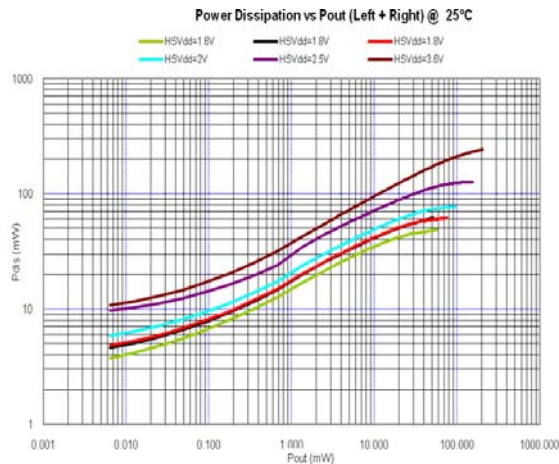


Figure 17. Power Dissipation vs P_{out} with $32\ \Omega$ Load

DETAIL OPERATING DESCRIPTION

DETAILED DESCRIPTIONS

I²C COMPATIBLE INTERFACE

Start and Stop Conditions

Communication is initiated by HIGH to LOW transition on SDA line while SCL is still high. This signal

configuration defines the START condition (noted S). Communication is terminated when a LOW to HIGH transition occurs on SDA while SCL is high. This defines the STOP condition (noted P).

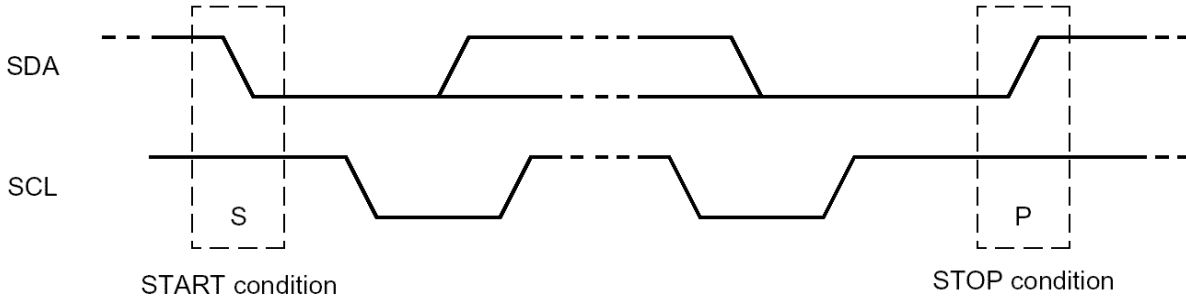


Figure 18. Start and Stop Bits Configuration on the I²C Bus

Data Validity

During normal data transmission, the SDA will not transition during a SCL High.

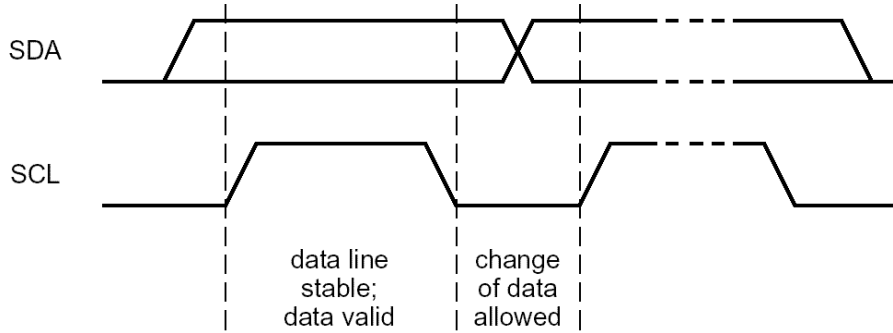


Figure 19. Data Validity

Data transfer on the I²C bus

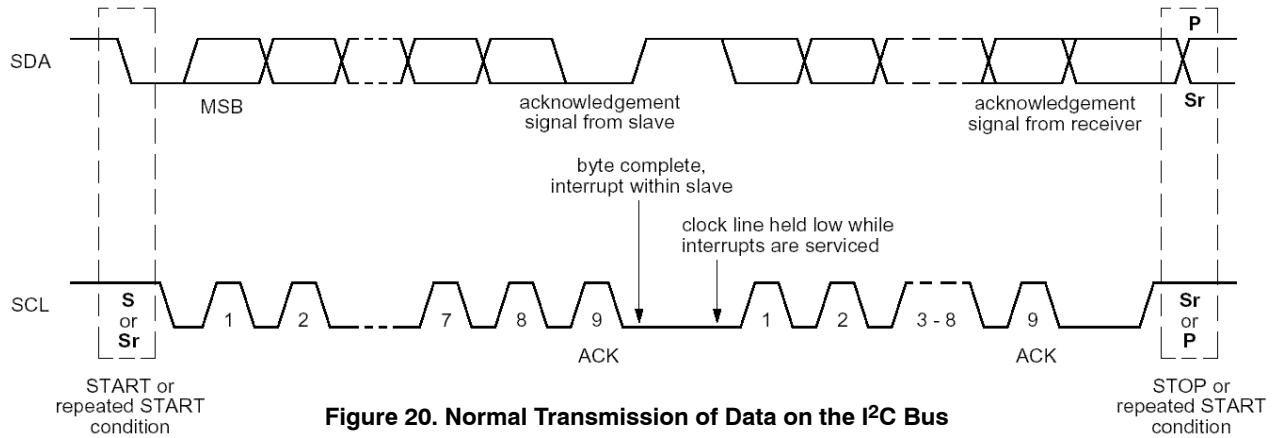


Figure 20. Normal Transmission of Data on the I²C Bus

Data communication begins with a Start. The first transmitted Byte is the Slave address (7 bits, MSB first) followed by the Read/Write bit. A “zero” indicates a “write” and a “one” indicates a “read” sequence. The byte is followed by an acknowledgement (mandatory) where the receiver pulls down the SDA line after the last received bit, to indicate that the information was received correctly. The receiver releases the SDA line after the 9th SCL pulse. Then the second byte may be transmitted.

More details about Data transfer and Acknowledgement may be found in chapter 7 of “the I²C bus specification”.

Note about “repeated Start” (Sr)

A Sr condition can happen any time during an I²C transaction. The SDA line cannot transition while SCL line is in High level state, except for START / STOP and Sr conditions. A Sr condition is a equivalent to a START condition (SDA line transitions from High to Low while SCL is High level). However, a STOP condition is not necessary before a Start. When there is no Stop, the Start is called Sr:

Normal STOP Then START:

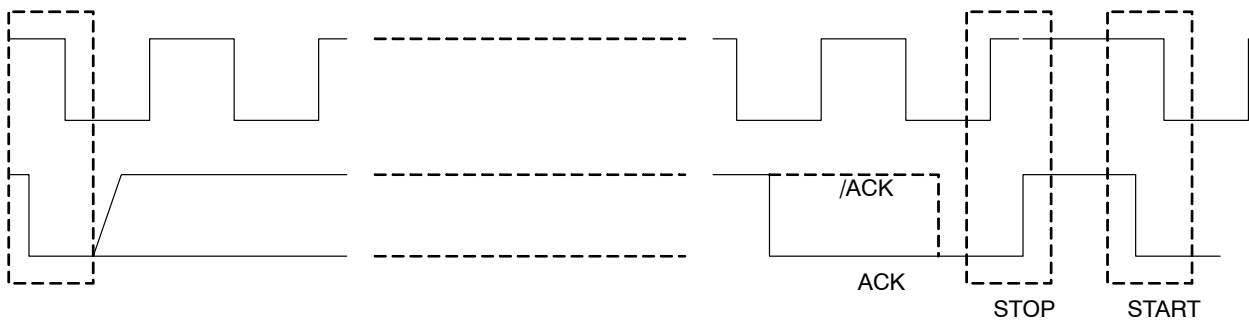


Figure 21.

NCP2704

Repeated Start (Sr):

First case: SDA transitions normally from 0 to 1 during SCL low state. However, master generates a Start during

SCL high state. This is a Start without stop and is a Sr condition

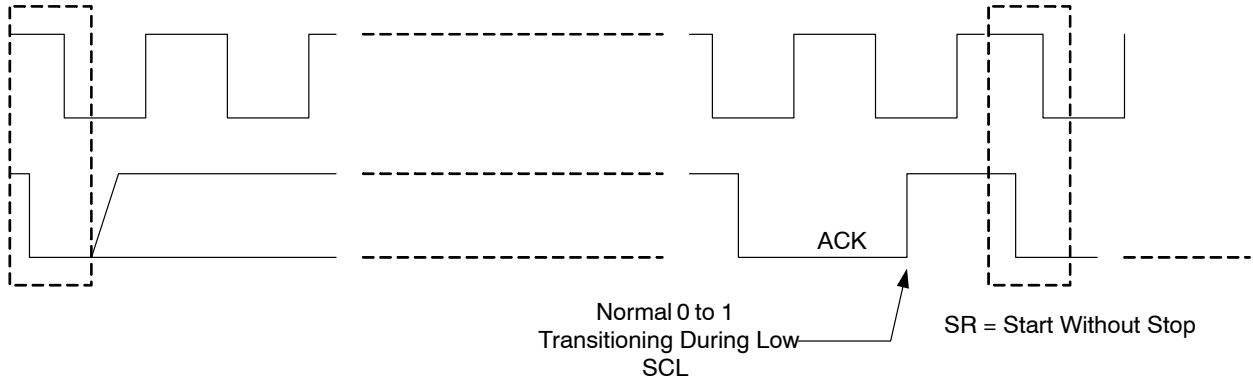


Figure 22.

Second case: SDA is already at High state (for example after a /ACK). Then, master generates a Start during SCL high state. This is a Start without stop and is a Sr condition

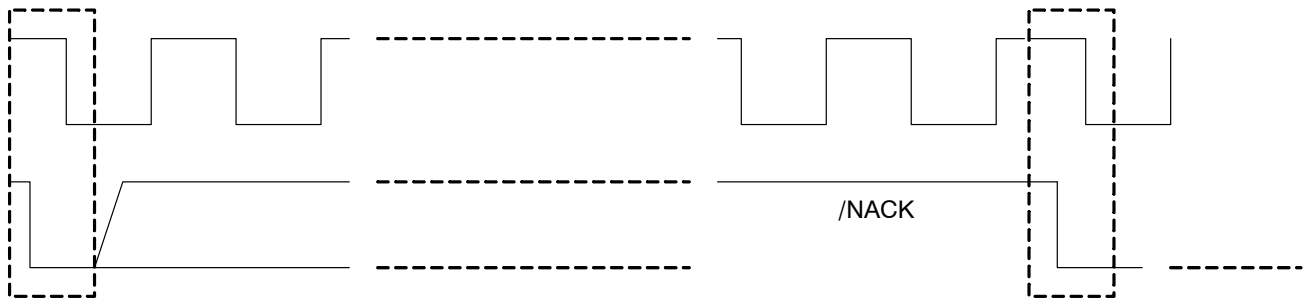


Figure 23.

Bus Timing

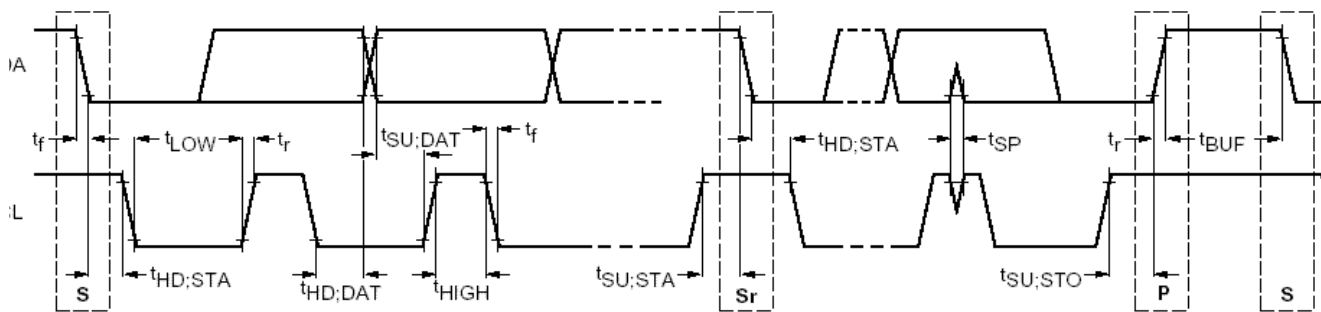


Figure 24.

NCP2704 I2C ADDRESS

I2C Address							
D7	D6	D5	D4	D3	D2	D1	D0
1	0	0	0	0	0	1	X

NCP2704

REGISTER MAP

12 different registers can be addressed through the “Register Address” byte.

Register Number	Function	I ² C Address							
		D7	D6	D5	D4	D3	D2	D1	D0
0	Input Control	-	-	0	0	0	0	0	0
1	Speaker Volume Control	-	-	0	0	0	0	0	1
2	Left Volume Control	-	-	0	0	0	0	1	0
3	Right Volume Control	-	-	0	0	0	0	1	1
4	Output control	-	-	0	0	0	1	0	0
5	LDO Control	-	-	0	0	0	1	0	1
6	Status	-	-	0	0	0	1	1	0
7	ACNT	-	-	0	0	0	1	1	1
8	ACONFA	-	-	0	0	1	0	0	0
9	ACONFR	-	-	0	0	1	0	0	1
10	ACONFH	-	-	0	0	1	0	1	0
11	EMI control	-	-	0	0	1	0	1	1
59	Reserved*	-	-	1	1	1	0	1	1
60	Reserved*	-	-	1	1	1	1	0	0
61	Reserved*	-	-	1	1	1	1	0	1
62	Reserved*	-	-	1	1	1	1	1	0
63	Reserved*	-	-	1	1	1	1	1	1

*End user should never neither read nor write this register.

INPUT CONTROL

This register allows the setting of the input stage as follows:

IN_xC sets up the configuration on each input. NCP2704 brings the flexibility to set up each input pair for a differential input signal or two single-ended ones.

- 1 = Inputs are set as differential input with IN_xA as the positive and IN_xB as the negative.
- 0 = Inputs are set as stereo single-ended input with IN_xA as left input and IN_xB as right input.

D7	D6	D5	D4	D3	D2	D1	D0
x	x	IN1C	IN2C	IN1G		IN2G	

IN1G configures the gain on the first input

D3	D2	IN1G
0	0	0 dB
0	1	+ 6 dB
1	0	+ 12 dB
1	1	+ 20 dB

IN2G configures the gain on the second input

D1	D0	IN2G
0	0	0 dB
0	1	+ 6 dB
1	0	+ 12 dB
1	1	+ 20 dB

NCP2704

When a single-ended configuration is required, for example a stereo signal, the first internal stage is described on **Figure 25**:

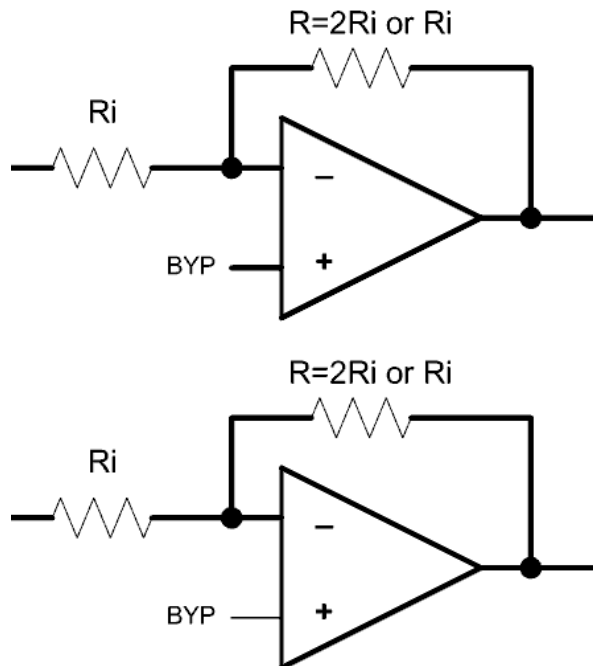


Figure 25. NCP2704 Input Stage for Single-Ended Type of Input

When a differential audio signal is used, the internal first stage is described in **Figure 26**:

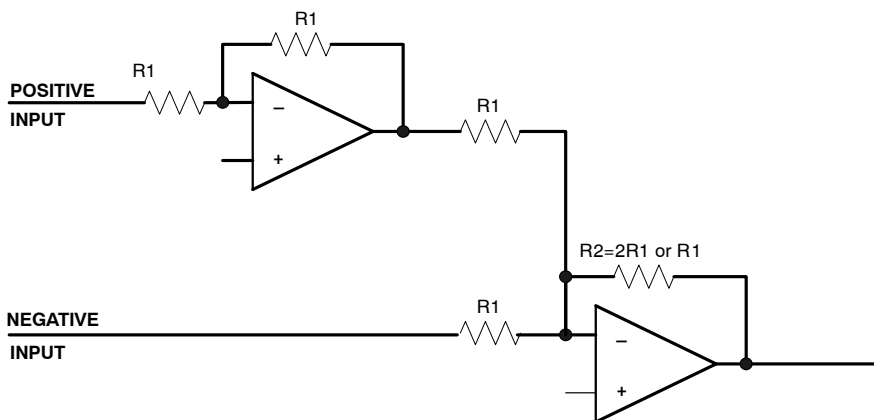


Figure 26. NCP2704 Input Stage for Differential Type of Input

NCP2704

RIGHT, LEFT VOLUME CONTROL

As described in the register “REGISTER MAP” section, NCP2704 allows separated volume control for Headset Right, Headset Left.

D7*	D6*	D5	D4	D3	D2	D1	D0
x	x	GAIN CONTROL					

*D7 and D6 bits can be either 0 or 1. NCP2704 will only process D5 to D0 to address the targeted gain setting.

D5	D4	D3	D2	D1	D0	Gain (dB)
0	0	0	0	0	0	Mute
0	0	0	0	0	1	-60
0	0	0	0	1	0	-54
0	0	0	0	1	1	-48
0	0	0	1	0	0	-45
0	0	0	1	0	1	-42
0	0	0	1	1	0	-39
0	0	0	1	1	1	-36
0	0	1	0	0	0	-34
0	0	1	0	0	1	-32
0	0	1	0	1	0	-30
0	0	1	0	1	1	-28
0	0	1	1	0	0	-27
0	0	1	1	0	1	-26
0	0	1	1	1	0	-25
0	0	1	1	1	1	-24
0	1	0	0	0	0	-23
0	1	0	0	0	1	-22
0	1	0	0	1	0	-21
0	1	0	0	1	1	-20
0	1	0	1	0	0	-19
0	1	0	1	0	1	-18
0	1	0	1	1	0	-17
0	1	0	1	1	1	-16
0	1	1	0	0	0	-15
0	1	1	0	0	1	-14
0	1	1	0	1	0	-13
0	1	1	0	1	1	-12
0	1	1	1	0	0	-11
0	1	1	1	0	1	-10
0	1	1	1	1	0	-9
0	1	1	1	1	1	-8
1	0	0	0	0	0	-7
1	0	0	0	0	1	-6
1	0	0	0	1	0	-5
1	0	0	0	1	1	-4
1	0	0	1	0	0	-3

NCP2704

D5	D4	D3	D2	D1	D0	Gain (dB)
1	0	0	1	0	1	-2
1	0	0	1	1	0	-1
1	0	0	1	1	1	0
1	0	1	0	0	0	+1
1	0	1	0	0	1	+2
1	0	1	0	1	0	+3
1	0	1	0	1	1	+4
1	0	1	1	0	0	+5
1	0	1	1	0	1	+6
1	0	1	1	1	0	+7
1	0	1	1	1	1	+8
1	1	0	0	0	0	+9
1	1	0	0	0	1	+10
1	1	0	0	1	0	+11
1	1	0	0	1	1	+12

As described above, an additional gain setting is possible in the “**INPUT CONTROL**” register. Thus, final gain setting can go up to **32 dB** for the signal applied on the IN1 and IN2 input.

SPEAKER VOLUME CONTROL

As described in the register “**REGISTER MAP**” section, NCP2704 allows separated volume control for Loudspeaker.

D7*	D6*	D5	D4	D3	D2	D1	D0
x	x	DIGITAL GAIN CONTROL					

*D7 and D6 bits can be either 0 or 1. NCP2704 will only process D5 to D0 to address the targeted gain setting.

D5	D4	D3	D2	D1	D0	Gain (dB)
0	0	0	0	0	0	Mute
0	0	0	0	0	1	-60
0	0	0	0	1	0	-54
0	0	0	0	1	1	-48
0	0	0	1	0	0	-45
0	0	0	1	0	1	-42
0	0	0	1	1	0	-39
0	0	0	1	1	1	-36
0	0	1	0	0	0	-34
0	0	1	0	0	1	-32
0	0	1	0	1	0	-30
0	0	1	0	1	1	-28
0	0	1	1	0	0	-27
0	0	1	1	0	1	-26
0	0	1	1	1	0	-25
0	0	1	1	1	1	-24
0	1	0	0	0	0	-23
0	1	0	0	0	1	-22

NCP2704

D5	D4	D3	D2	D1	D0	Gain (dB)
0	1	0	0	1	0	-21
0	1	0	0	1	1	-20
0	1	0	1	0	0	-19
0	1	0	1	0	1	-18
0	1	0	1	1	0	-17
0	1	0	1	1	1	-16
0	1	1	0	0	0	-15
0	1	1	0	0	1	-14
0	1	1	0	1	0	-13
0	1	1	0	1	1	-12
0	1	1	1	0	0	-11
0	1	1	1	0	1	-10
0	1	1	1	1	0	-9
0	1	1	1	1	1	-8
1	0	0	0	0	0	-7
1	0	0	0	0	1	-6
1	0	0	0	1	0	-5
1	0	0	0	1	1	-4
1	0	0	1	0	0	-3
1	0	0	1	0	1	-2
1	0	0	1	1	0	-1
1	0	0	1	1	1	0
1	0	1	0	0	0	+1
1	0	1	0	0	1	+2
1	0	1	0	1	0	+3
1	0	1	0	1	1	+4
1	0	1	1	0	0	+5
1	0	1	1	0	1	+6
1	0	1	1	1	0	+7
1	0	1	1	1	1	+8
1	1	0	0	0	0	+9
1	1	0	0	0	1	+10
1	1	0	0	1	0	+11
1	1	0	0	1	1	+12

As described above, an additional gain setting is possible in the “**INPUT CONTROL**” register. Thus, final gain setting can go up to **44 dB** for the signal applied on the IN1 and IN2 input.

NCP2704

OUTPUT CONTROL

The NCP2704 embeds one class D loudspeaker amplifier and a true ground headset stereo amplifier (Left and Right). The “**INPUT CONTROL**” register has defined the Input 1 and 2 configuration (single-ended or differential). The last stage of the audio subsystem defines which between IN1A, IN1B, IN2A, IN2B or a combination is applied to each amplifier.

D7	D6	D5	D4	D3	D2	D1	D0
x	Reset	/SD	Slow	Output Mode			

POWER ON RESET CONDITIONS

D6	RESET
0	No I ² C Register Change
1	I ² C Register in Reset Configuration

The **RESET** function can be set by driving D6 bit to high Level. In that case, all registers are set in the following configuration.

Registers	Reset Configuration							
	D7	D6	D5	D4	D3	D2	D1	D0
Input control	0	0	0	0	0	0	0	0
Headset right volume control	0	0	0	0	0	0	0	0
Headset left volume control	0	0	0	0	0	0	0	0
Loudspeaker volume control	0	0	0	0	0	0	0	0
Output control	0	0	x	0	0	0	0	0
LDO control	0	0	0	0	0	0	0	0
Status	0	0	0	0	0	0	0	1
AGC control register	0	0	1	1	1	1	1	1
AGC configuration register Attack time	0	0	0	0	0	0	0	1
AGC configuration register Release time	0	0	0	0	0	0	0	1
AGC configuration register Hold time	0	0	0	0	0	0	0	0
EMI control	0	0	0	0	0	0	0	0

Reset Functionality and Default State

Reset configuration will be effective in three different application cases:

- **POR:** As soon as power supply is detected by NCP2704, all the registers are set in the default configuration.
- **RESET bit:** It can be done in the Mode control register by setting D6 bit (RESET) to 1. Then Mode Control and Gain Control registers are set in their default state. Once done, RESET bit goes back to 0.
- **RESET Threshold:**
 - ◆ When PV_{DD} decreases and goes below UVLO threshold (2.2 V), the amplifiers enter in shutdown mode. When PV_{DD} goes over UVLO + Hysteresis the amplifiers turn on with the previous configuration.

- ◆ When HSV_{DD} decreases and goes below UVLO threshold (1.3 V), the amplifiers enter in shutdown mode. When HSV_{DD} goes over UVLO + Hysteresis the amplifiers turn on with the previous configuration.

◆ Shutdown functionality

NCP2704 has an internal software shutdown through bit D5 of the Output control register.

- **Software Shutdown:** When a software shutdown occurs through D5 bit in the “Output control” register (D5 = 0), the device enter in a low power shutdown mode. In addition all the registers are set in their default state.
- **Gain modifications setting**
 - When bit D4 = 0 (default state), volume changes step by step. In this case T_{on} and T_{off} = 32 ms and pop and click noise is reduced. When bit D4 = 1, T_{on} and T_{off} = 1 ms.

NCP2704

OUTPUT CONFIGURATION

Conf N°	OUTPUT MODE 0				OUTPUT CONFIGURATION with IN1C = IN2C = 0		
	D3	D2	D1	D0	Loudspeaker	Left Headset	Right Headset
0	0	0	0	0	SD	SD	SD
1	0	0	0	1	IN1A + IN1B	SD	SD
2	0	0	1	0	SD	IN1A	IN1B
3	0	0	1	1	IN1A + IN1B	IN1A	IN1B
4	0	1	0	0	IN2A + IN2B	SD	SD
5	0	1	0	1	SD	IN2A	IN2B
6	0	1	1	0	IN2A + IN2B	IN2A	IN2B
7	0	1	1	1	IN1A + IN1B + IN2A + IN2B	SD	SD
8	1	0	0	0	SD	IN1A + IN2A	IN1B + IN2B
9	1	0	0	1	IN1A + IN1B + IN2A + IN2B	IN1A + IN2A	IN1B + IN2B
10	1	0	1	0	IN1A + IN1B	IN2A	IN2B
11	1	0	1	1	IN2A + IN2B	IN1A	IN1B
12	1	1	0	0	SD	SD	SD
13	1	1	0	1	SD	SD	SD
14	1	1	1	0	SD	SD	SD
15	1	1	1	1	SD	SD	SD

Conf N°	OUTPUT MODE 1				OUTPUT CONFIGURATION with IN1C = IN2C = 1		
	D3	D2	D1	D0	Loudspeaker	Left Headset	Right Headset
0	0	0	0	0	SD	SD	SD
1	0	0	0	1	IN1_Diff	SD	SD
2	0	0	1	0	SD	IN1_Diff	IN1_Diff
3	0	0	1	1	IN1_Diff	IN1_Diff	IN1_Diff
4	0	1	0	0	IN2_Diff	SD	SD
5	0	1	0	1	SD	IN2_Diff	IN2_Diff
6	0	1	1	0	IN2_Diff	IN2_Diff	IN2_Diff
7	0	1	1	1	IN1_Diff + IN2_Diff	SD	SD
8	1	0	0	0	SD	IN1_Diff + IN2_Diff	IN1_Diff + IN2_Diff
9	1	0	0	1	IN1_Diff + IN2_Diff	IN1_Diff + IN2_Diff	IN1_Diff + IN2_Diff
10	1	0	1	0	IN1_Diff	IN2_Diff	IN2_Diff
11	1	0	1	1	IN2_Diff	IN1_Diff	IN1_Diff
12	1	1	0	0	SD	SD	SD
13	1	1	0	1	SD	SD	SD
14	1	1	1	0	SD	SD	SD
15	1	1	1	1	SD	SD	SD

NCP2704

Conf N°	OUTPUT MODE 2				OUTPUT CONFIGURATION with IN1C = 1 and IN2C = 0		
	D3	D2	D1	D0	Loudspeaker	Left Headset	Right Headset
0	0	0	0	0	SD	SD	SD
1	0	0	0	1	IN1_Diff	SD	SD
2	0	0	1	0	SD	IN1_Diff	IN1_Diff
3	0	0	1	1	IN1_Diff	IN1_Diff	IN1_Diff
4	0	1	0	0	IN2A + IN2B	SD	SD
5	0	1	0	1	SD	IN2A	IN2B
6	0	1	1	0	IN2A + IN2B	IN2A	IN2B
7	0	1	1	1	SD	SD	SD
8	1	0	0	0	SD	SD	SD
9	1	0	0	1	SD	SD	SD
10	1	0	1	0	IN1_Diff	IN2A	IN2B
11	1	0	1	1	IN2A + IN2B	IN1_Diff	IN1_Diff
12	1	1	0	0	SD	SD	SD
13	1	1	0	1	SD	SD	SD
14	1	1	1	0	SD	SD	SD
15	1	1	1	1	SD	SD	SD

Conf N°	OUTPUT MODE 3				OUTPUT CONFIGURATION with IN1C = 0 and IN2C = 1		
	D3	D2	D1	D0	Loudspeaker	Left Headset	Right Headset
0	0	0	0	0	SD	SD	SD
1	0	0	0	1	IN1A + IN1B	SD	SD
2	0	0	1	0	SD	IN1A	IN1B
3	0	0	1	1	IN1A + IN1B	IN1A	IN1B
4	0	1	0	0	IN2_Diff	SD	SD
5	0	1	0	1	SD	IN2_Diff	IN2_Diff
6	0	1	1	0	IN2_Diff	IN2_Diff	IN2_Diff
7	0	1	1	1	SD	SD	SD
8	1	0	0	0	SD	SD	SD
9	1	0	0	1	SD	SD	SD
10	1	0	1	0	IN1A + IN1B	IN2_Diff	IN2_Diff
11	1	0	1	1	IN2_Diff	IN1A	IN1B
12	1	1	0	0	SD	SD	SD
13	1	1	0	1	SD	SD	SD
14	1	1	1	0	SD	SD	SD
15	1	1	1	1	SD	SD	SD

NCP2704

AGC CONTROL

The AGC function is to protect the speaker from damage due to exceeded output power. The function limits the output power without deteriorating the audio quality.

AGC CONTROL REGISTER (ACNT)

This register allows controlling the AGC setup.

D7	D6	D5	D4	D3	D2	D1	D0	
AGCE	NC/L	PWR(2)	PWR(1)	PWR(0)	THD(2)	THD(1)	THD(0)	ACNT

THD(2–0): Define the maximum distortion level acceptable in non-clipping mode.

THD Bit	Maximum THDN level
000	1%
001	2%
010	4%
011	6%
100	8%
101	10%
110	15%
111	20%

PWR(2–0): Define the maximum peak voltage in output of the amplifier in case of limiter mode.

PWR Bit	V _{peakmax} (V)
000	0.5
001	1
010	1.5
011	2
100	2.5
101	3
110	3.5
111	4

NC/L: Non-clipping mode and limiter mode selection bit.

- 0 = Non-clipping mode.
- 1 = Limiter mode.

AGCE : Activate or disable the AGC function bit.

- 0 = AGC disable.
- 1 = AGC enable.

NCP2704

AGC CONFIGURATION REGISTER (ACONFA–ACONFR–ACONFH)

This register controls the AGC configuration.

D7*	D6*	D5	D4	D3	D2	D1	D0	
x	x	A(5)	A(4)	A(3)	A(2)	A(1)	A(0)	ACONFA
x	x	R(5)	R(4)	R(3)	R(2)	R(1)	R(0)	ACONFR
x	x	H(5)	H(4)	H(3)	H(2)	H(1)	H(0)	ACONFH

A(5–0): Define the attack time.

A(5–0)	ms/0.5 dB	ms/6 dB
00000	Class D clock	
00001	0.1067	1.28
00010	0.2134	2.56
00011	0.3201	3.84
---	0.1067ms/step	---
11111	6.722	80.66

Attack time is defined as the minimum time between two gain decrease.

R(5–0): Define the release time.

R(5–0)	s/0.5 dB	s/6 dB
00000	Class D clock	
00001	0.0137	0.1644
00010	0.0274	0.3288
00011	0.0411	0.4932
---	0.0137s/step	---
11111	0.8631	10.36

Release time is defined as the minimum time between two gain increase.

H(5–0): Define the hold time.

H(5–0)	Timer Hold (s)
00000	Hold time off
00001	0.0137
00010	0.0274
00011	0.0411
---	0.0137s/step
11111	0.8631

Hold time is defined as the minimum time between a gain increase after a gain decrease.

NCP2704

EMI CONTROL

The EMI control register sets the rising and falling edges of the Class D speaker outputs. This register gives the possibility to the user to have the best efficiency by choosing the lowest value, or reduce the EMI perturbation by increasing it. By default the programming value sets the fastest time to have the best efficiency.

D7	D6	D5	D4	D3	D2	D1	D0
x	x	x	x	EMI Control			

D3	D2	D1	D0	Value t_r and t_f (ns)
0	0	0	0	20
0	0	0	1	15
0	0	1	0	10
0	0	1	1	5
0	1	0	0	1
0	1	0	1	Reserved
0	1	1	0	Reserved
0	1	1	1	Reserved
1	0	0	0	Reserved
1	0	0	1	Reserved
1	0	1	0	Reserved
1	0	1	1	Reserved
1	1	0	0	Reserved
1	1	0	1	Reserved
1	1	1	0	Reserved
1	1	1	1	Reserved

HEADSET SUPPLY VOLTAGE AND LDO SETTING

Apply a supply voltage from 1.6 V to 3.6 V to the pin HPV_{DD}. The internal signal VRP and VRM will be the output of an internal converter set by the LDO control register.

D7	D6	D5	D4	D3	D2	D1	D0
x	x	x	x	Internal LDO Output			

The LDO control register bits (D3 to D0) set VRP and VRM.

D3	D2	D1	D0	Internal LDO Output V_{peak}
0	0	0	0	1.3
0	0	0	1	1.4
0	0	1	0	1.5
0	0	1	1	1.6
0	1	0	0	1.7
0	1	0	1	1.8
0	1	1	0	1.9
0	1	1	1	2.0
1	0	0	0	2.1
1	0	0	1	2.2
1	0	1	0	2.3

NCP2704

D3	D2	D1	D0	Internal LDO Output V_{peak}
1	0	1	1	2.4
1	1	0	0	2.5
1	1	0	1	2.6
1	1	1	0	2.7
1	1	1	1	2.8

This function helps to increase the output dynamic when external damping resistors are used.

STATUS REGISTER

This register gives the status of the fault which can occur in the NCP2704.

D7	D6	D5	D4	D3	D2	D1	D0
x	x	WSLDO	SC_LPP	SC_LPN	SC_HSL	SC_HSR	x

D1: This bit indicates that the current limitation of the pin HSR is activated ($D1 = 1$). It is automatically reset to 0 when the fault disappears.

D2: This bit indicates that the current limitation of the pin HSL is activated ($D2 = 1$). It is automatically reset to 0 when the fault disappears.

D3: This bit indicates that the current limitation of the pin LPN is activated ($D3 = 1$). It is automatically reset to 0 when the fault disappears.

D4: This bit indicates that the current limitation of the pin LPP is activated ($D4 = 1$). It is automatically reset to 0 when the fault disappears.

D5: This bit indicates that a wrong setting on the LDO control register has been done. This fault occurs when LDO setting $> HSV_{DD} - 200$ mV. It is automatically reset to 0 when the fault disappears.

Components Selection

Input Capacitor Selection

The input coupling capacitor blocs the DC voltage at the amplifier input. This capacitor creates a high-pass filter with R_{in} (20 k Ω).

The size of the capacitor must be large enough to couple in low frequencies without severe attenuation in the audio bandwidth (20 Hz – 20 kHz).

The cut off frequency for the input high-pass filter is : $F_c = 1 / (2\eta R_{in} C_{in})$.

Charge Pump Capacitor Selection

Use ceramic capacitor with low ESR for better performances. X5R / X7R capacitor is recommended.

The flying capacitor serves to transfer charge during the generation of the negative voltage. Connect CFly as close as possible to CPP and CPM.

The PVM capacitor must be equal at least to the CFly capacitor to allow maximum transfer charge. Connect CPVM as close as possible to the PVM pin.

A value of 1 μ F is recommended.

The following table suggests typical value and manufacturer :

Value	Reference	Package	Manufacturer
1 μ F	C1005X5R0J105K	0402	TDK
1 μ F	GRM155R60J105K16	0402	Murata

Lower value of capacitors can be used but the maximum output power is reduced and the device may not operate to specifications.

Long Play True Ground Headphone Power Supply Decoupling Capacitor

The headphone amplifier requires the adequate decoupling capacitor in order to guarantee the best operation in terms of audio performances. Use X5R / X7R ceramic capacitor and place it close to the HSVDD pin. A value of 1 μ F is recommended.

NCP2704

Class D Power Supply Decoupling Capacitor

The Class D amplifier requires an adequate decoupling amplifier in order to guarantee the best operation in terms of audio performances. Use X5R / X7R ceramic capacitor and place it close to PVDD pin in order to reduce high frequency transient spikes due to parasitic inductance. A value of 4.7 μ F is recommended.

Layout Recommendations

For efficiency, noise and EMI standpoints, it is strongly recommended to use a power and ground plane in order to reduce parasitic resistance and inductance.

For the same reason, it is strongly recommended for the Class D amplifier to keep the output traces short and well shielded in order to avoid them acting as an antenna.

Route audio signal (input pins and HSL / HSR) far from HSVDD, CPP, CPM, PVM, PVDD, LPP, and LPN to avoid any perturbation due to the switching.

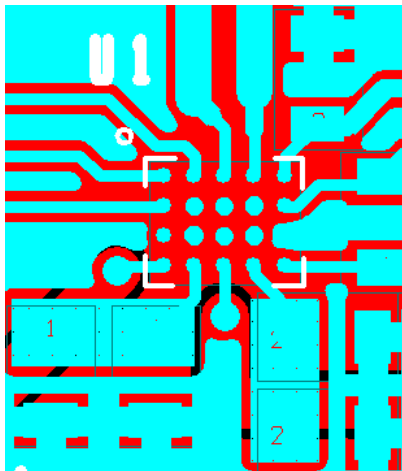


Figure 27. PCB Layout Example

ORDERING INFORMATION

Device	Package	Shipping†
NCP2704FCCT1G	CSP – 20 – 2.5 x 2.0 mm (Pb – Free)	3000 / Tape & Reel

MECHANICAL CASE OUTLINE

PACKAGE DIMENSIONS

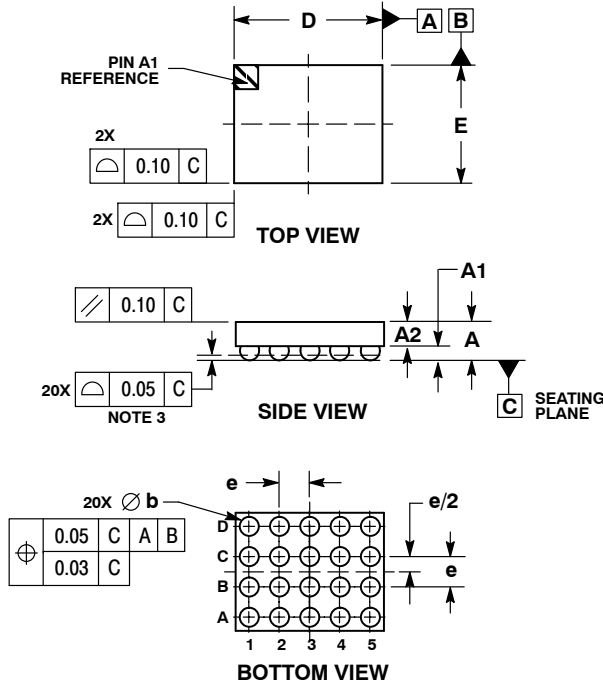
ON Semiconductor®



A1
SCALE 4:1

20 PIN FLIP-CHIP, 2.5x2.0, 0.5P CASE 499BH-01 ISSUE A

DATE 22 OCT 2010

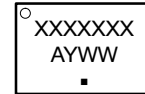


NOTES:

1. DIMENSIONING AND TOLERANCING PER ASME Y14.5M, 1994.
2. CONTROLLING DIMENSION: MILLIMETERS.
3. COPLANARITY APPLIES TO SPHERICAL CROWNS OF SOLDER BALLS.
4. DIE COAT, 0.04 THICK, PERMISSABLE ON THIS SURFACE. DIE COAT THICKNESS IS INCLUDED IN DIMENSIONS A AND A2.

MILLIMETERS		
DIM	MIN	MAX
A	0.54	0.66
A1	---	0.27
A2	0.33	0.39
b	0.29	0.34
D	2.50 BSC	
E	2.00 BSC	
e	0.50 BSC	

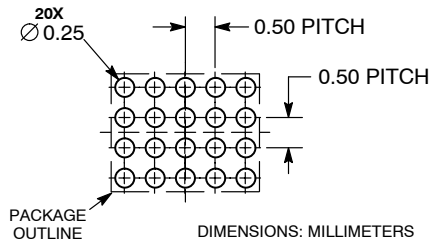
GENERIC MARKING DIAGRAM*



- XXXXXXXX = Specific Device Code
- A = Assembly Location
- Y = Year
- WW = Work Week
- = Pb-Free Package

*This information is generic. Please refer to device data sheet for actual part marking. Pb-Free indicator, "G" or microdot "▪", may or may not be present.

RECOMMENDED SOLDER FOOTPRINT*



*For additional information on our Pb-Free strategy and soldering details, please download the ON Semiconductor Soldering and Mounting Techniques Reference Manual, SOLDERRM/D.

DOCUMENT NUMBER:	98AON42747E	Electronic versions are uncontrolled except when accessed directly from the Document Repository. Printed versions are uncontrolled except when stamped "CONTROLLED COPY" in red.
DESCRIPTION:	20 PIN FLIP-CHIP, 2.5 X 2.0, 0.5P	PAGE 1 OF 1

ON Semiconductor and are trademarks of Semiconductor Components Industries, LLC dba ON Semiconductor or its subsidiaries in the United States and/or other countries. ON Semiconductor reserves the right to make changes without further notice to any products herein. ON Semiconductor makes no warranty, representation or guarantee regarding the suitability of its products for any particular purpose, nor does ON Semiconductor assume any liability arising out of the application or use of any product or circuit, and specifically disclaims any and all liability, including without limitation special, consequential or incidental damages. ON Semiconductor does not convey any license under its patent rights nor the rights of others.

onsemi, **Onsemi**, and other names, marks, and brands are registered and/or common law trademarks of Semiconductor Components Industries, LLC dba "**onsemi**" or its affiliates and/or subsidiaries in the United States and/or other countries. **onsemi** owns the rights to a number of patents, trademarks, copyrights, trade secrets, and other intellectual property. A listing of **onsemi**'s product/patent coverage may be accessed at www.onsemi.com/site/pdf/Patent-Marking.pdf. **onsemi** reserves the right to make changes at any time to any products or information herein, without notice. The information herein is provided "as-is" and **onsemi** makes no warranty, representation or guarantee regarding the accuracy of the information, product features, availability, functionality, or suitability of its products for any particular purpose, nor does **onsemi** assume any liability arising out of the application or use of any product or circuit, and specifically disclaims any and all liability, including without limitation special, consequential or incidental damages. Buyer is responsible for its products and applications using **onsemi** products, including compliance with all laws, regulations and safety requirements or standards, regardless of any support or applications information provided by **onsemi**. "Typical" parameters which may be provided in **onsemi** data sheets and/or specifications can and do vary in different applications and actual performance may vary over time. All operating parameters, including "Typicals" must be validated for each customer application by customer's technical experts. **onsemi** does not convey any license under any of its intellectual property rights nor the rights of others. **onsemi** products are not designed, intended, or authorized for use as a critical component in life support systems or any FDA Class 3 medical devices or medical devices with a same or similar classification in a foreign jurisdiction or any devices intended for implantation in the human body. Should Buyer purchase or use **onsemi** products for any such unintended or unauthorized application, Buyer shall indemnify and hold **onsemi** and its officers, employees, subsidiaries, affiliates, and distributors harmless against all claims, costs, damages, and expenses, and reasonable attorney fees arising out of, directly or indirectly, any claim of personal injury or death associated with such unintended or unauthorized use, even if such claim alleges that **onsemi** was negligent regarding the design or manufacture of the part. **onsemi** is an Equal Opportunity/Affirmative Action Employer. This literature is subject to all applicable copyright laws and is not for resale in any manner.

PUBLICATION ORDERING INFORMATION

LITERATURE FULFILLMENT:

Email Requests to: orderlit@onsemi.com

onsemi Website: www.onsemi.com

TECHNICAL SUPPORT

North American Technical Support:

Voice Mail: 1 800-282-9855 Toll Free USA/Canada

Phone: 011 421 33 790 2910

Europe, Middle East and Africa Technical Support:

Phone: 00421 33 790 2910

For additional information, please contact your local Sales Representative