

MT9V115

MT9V115 1/13-Inch System-On-A-Chip (SOC) CMOS Digital Image Sensor

General Description

ON Semiconductor's MT9V115 is a 1/13-inch CMOS digital image sensor with an active-pixel array of 648 (H) x 488 (V). It includes sophisticated camera functions such as auto exposure control, auto white balance, black level control, flicker detection and avoidance, and defect correction. It is designed for low light performance. It is programmable through a simple two-wire serial interface. The MT9V115 produces extraordinarily clear, sharp digital pictures that make it the perfect choice for a wide range of applications, including mobile phones, PC and notebook cameras, and gaming systems.

*Supports ITU-R BT.656 format with odd timing code. BT656 is used on interlaced output but this is a progressive scan output.

Table 1. KEY PARAMETERS

Parameter		Value
Optical Format		1/13-inch
Active Pixels		648 x 488 = 0.3 Mp (VGA)
Pixel Size		1.75 μ m
Color Filter Array		RGB Bayer
Shutter Type		Electronic Rolling Shutter (ERS)
Input Clock Range		4–44 MHz
Output Clock Maximum	Parallel	22 MHz
	MIPI	176 Mbps
Output	Parallel	8 bit
	MIPI	8 bit, 10 bit
Frame Rate, Full Resolution		30 fps
Responsivity		1.88 V/lux*sec
SNR _{MAX} (Temporal)		34.1 dB
Dynamic Range		64 dB
Supply Voltage	Digital	1.8 V
	Analog	2.8 V
	MIPI	2.8 V
Power Consumption		55 mW(Est.)
Operating Temperature (Ambient) – TA		–30°C to +70°C
Chief Ray Angle		24°
Package Options		Wafer, CSP

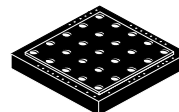
Features

- Superior Low-light Performance
- Ultra-low-power
- VGA Video at 30 fps
- Internal Master Clock Generated by On-chip Phase Locked Loop (PLL) Oscillator
- Electronic Rolling Shutter (ERS), Progressive Scan



ON Semiconductor®

www.onsemi.com



ODCSP-25
CASE 570BK

ORDERING INFORMATION

See detailed ordering and shipping information on page 2 of this data sheet.

Features (continued)

- Integrated Image Flow Processor (IFP) for Single-die Camera Module
- One-time Programmable Memory (OTPM)
- Automatic Image Correction and Enhancement, Including Four-Channel Lens Shading Correction
- Arbitrary Image Scaling with Anti-aliasing
- Supports ITU.R.656 Format (Progressive Scan Version)
- Two-wire Serial Interface Providing Access to Registers and Microcontroller Memory
- Selectable Output Data Format: YCbCr, 565RGB, Processed Bayer, RAW8– and RAW8+2-bit, BT656*
- Parallel Data Output
- Programmable I/O Slew Rate

This document, and the information contained herein, is CONFIDENTIAL AND PROPRIETARY and the property of Semiconductor Components Industries, LLC., dba ON Semiconductor. It shall not be used, published, disclosed or disseminated outside of the Company, in whole or in part, without the written permission of ON Semiconductor. Reverse engineering of any or all of the information contained herein is strictly prohibited.

© 2017, SCILLC. All Rights Reserved.

Features (continued)

- MIPI Serial Mode Supporting 8-bit and 10-bit Data Streams
- Independently Configurable Gamma Correction
- Direct XDMA Access (Reducing Serial Commands)
- Integrated Hue Rotation

Applications

- Mobile Phones
- PC and Notebook Cameras
- Gaming Systems

Ordering Information

Table 2. AVAILABLE PART NUMBERS

Part Number	Product Description	Orderable Product Attribute Description
MT9V115D00STCK22EC1-200	VGA 1/13" SOC	Die Sales, 200 μm Thickness
MT9V115EBKSTC-CR	VGA 1/13" CIS SOC	Chip Tray without Protective Film
MT9V115W00STCK22EC1-750	VGA 1/4" SOC	Wafer Sales, 750 μm Thickness

Functional Description

ON Semiconductor’s MT9V115 is a 1/13-inch VGA CMOS digital image sensor with an integrated advanced camera system. This camera system features a microcontroller (MCU), a sophisticated image flow processor (IFP), a serial port, and a parallel port. The microcontroller manages all functions of the camera system and sets key operating parameters for the sensor core to optimize the quality of raw image data entering the IFP. The sensor core consists of an active pixel array of 648 x 488 pixels with programmable timing and control circuitry. It also includes an analog signal chain with automatic offset correction, programmable gain, and a 10-bit analog-to-digital converter (ADC).

The entire system-on-a-chip (SOC) has an ultra-low power operational mode and a superior low-light performance that is particularly suitable for mobile

applications. The MT9V115 features ON Semiconductor’s breakthrough low-noise CMOS imaging technology that achieves near-CCD image quality (based on signal-to-noise ratio and low-light sensitivity) while maintaining the inherent size, cost, and integration advantages of CMOS.

Architecture Overview

The MT9V115 combines a VGA sensor core with an IFP to form a stand-alone solution for both image acquisition and processing. Both the sensor core and the IFP have internal registers that can be controlled by the user. In normal operation, an integrated microcontroller autonomously controls most aspects of operation. The processed image data is transmitted to the host system through the serial or parallel bus. Figure 1 shows the major functional blocks of the MT9V115.

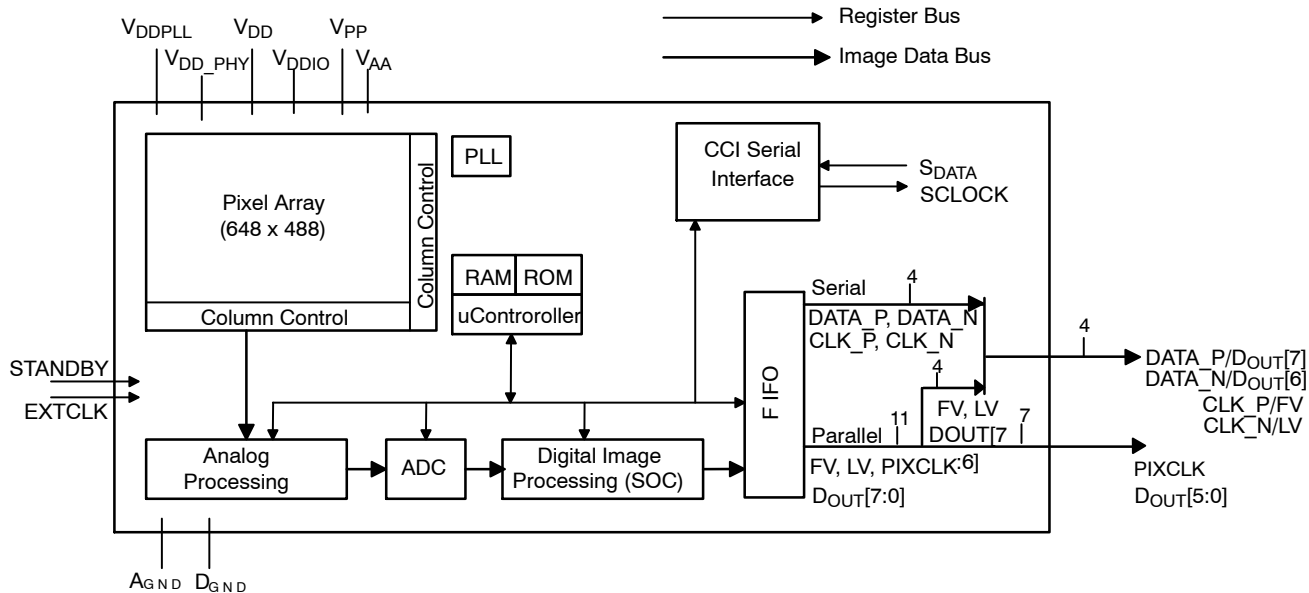


Figure 1. MT9V115 Block Diagram

Sensor Core

The MT9V115 has a color image sensor with a Bayer color filter arrangement and a VGA active-pixel array with electronic rolling shutter (ERS). The sensor core readout is 10 bits. The sensor core also supports separate analog and digital gain for all four color channels (R, Gr, Gb, B).

Image Flow Processor (IFP)

The advanced IFP features and flexible programmability of the MT9V115 can enhance and optimize the image sensor performance. Built-in optimization algorithms enable the MT9V115 to operate with factory settings as a fully automatic and highly adaptable system-on-a-chip (SOC) for most camera systems.

These algorithms include shading correction, defect correction, color interpolation, edge detection, color correction, aperture correction, and image formatting with cropping and scaling.

Microcontroller Unit (MCU)

The MCU communicates with all functional blocks by way of an internal ON Semiconductor proprietary bus interface. The MCU firmware executes the automatic control algorithms for exposure and white balance.

System Control

The MT9V115 has a phase-locked loop (PLL) oscillator that can generate the internal sensor clock from the common system clock. The PLL adjusts the incoming clock frequency up, allowing the MT9V115 to run at almost any desired resolution and frame rate within the sensor's capabilities.

Low-power consumption is a very important requirement for all components of wireless devices. The MT9V115 provides power-conserving features, including an internal soft standby mode and a hard standby mode.

A two-wire serial interface bus enables read and write access to the MT9V115's internal registers and variables. The internal registers control the sensor core, the color pipeline flow, the output interface, auto white balance (AWB) and auto exposure (AE).

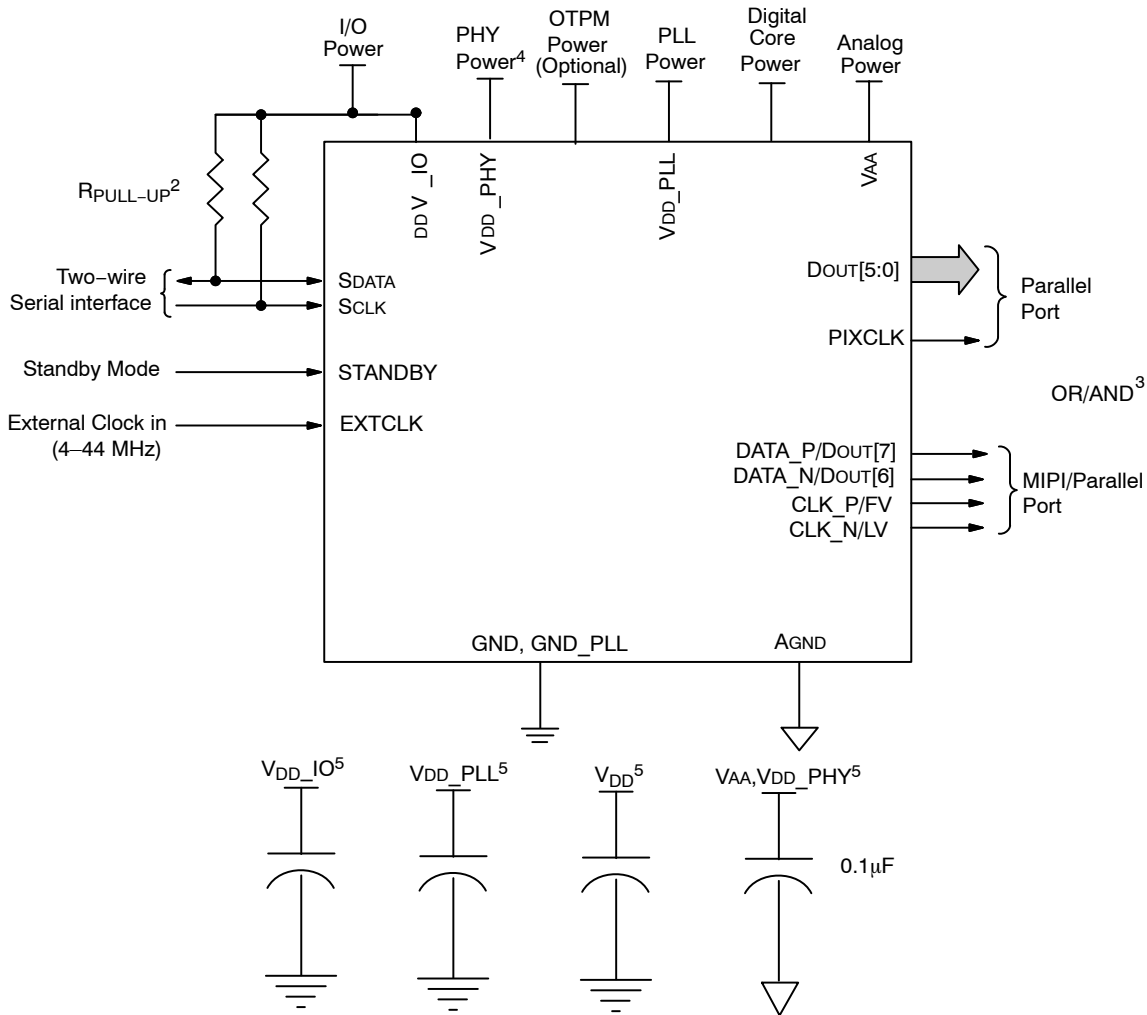
Output Interface

The output interface block can select either raw data or processed data. Image data is provided to the host system by an 8-bit parallel port (up to 22MB/sec) or by a serial MIPI port (up to 176 Mbps with 8-bit and 10-bit support). The parallel output port provides 8-bit YCbCr, YUV, 565 RGB, BT656, processed Bayer data or extended 10-bit Bayer data achieved using 8+2 format.

System Interfaces

Figure 2 shows typical MT9V115 device connections. For low-noise operation, the MT9V115 requires separate power supplies for analog and digital sections of the die. Both power supply rails should be decoupled from ground using capacitors as close as possible to the die. The use of inductance filters is not recommended on the power supplies or output signals.

The MT9V115 provides dedicated signals for digital core and I/O power domains that can be at different voltages. The PLL and analog circuitry require clean power sources. Table 3, “Signal Descriptions,” provides the signal descriptions for the MT9V115.



- Notes:
1. This typical configuration shows only one scenario out of multiple possible variations for this sensor.
 2. ON Semiconductor recommends a minimum 1.5 kΩ resistor value for the two-wire serial interface RpULL-UP; however, greater values may be used for slower transmission speed.
 3. Only one mode, MIPI or Parallel can be used at one time
 4. VDD_PHY requires 2.8 V nominal in MIPI mode, but can take VDD_IO setting in parallel mode.
 5. As a minimum, ON Semiconductor recommends that a 0.1 µF decoupling capacitor for each power supply is mounted as close as possible to the pad inside the module. Actual values and numbers may vary depending on layout and design considerations.

Figure 2. Typical Configuration (Connection) – Parallel Output Mode

Decoupling Capacitor Recommendations

The minimum recommended decoupling capacitor recommendation is 0.1 μ F per supply in the module.

It is important to provide clean, well regulated power to each power supply. The ON Semiconductor recommendation for capacitor placement and values are based on our internal demo camera design and verified in hardware.

NOTE: Since hardware design is influenced by many factors, such as layout, operating conditions, and component selection, the customer is ultimately responsible to ensure that clean power is provided for their own designs.

In order of preference, ON Semiconductor recommends:

1. Mount 0.1 μ F and 1 μ F decoupling capacitors for each power supply as close as possible to the pad and place a 10 μ F capacitor nearby off-module.
2. If module limitations allow for only six decoupling capacitors for a three-regulator design (VDD_PLL tied to VAA), use a 0.1 μ F and 1 μ F capacitor for each of the three regulated supplies.

ON Semiconductor also recommends placing a 10 μ F capacitor for each supply off-module, but close to each supply.

3. If module limitations allow for only three decoupling capacitors, a 1 μ F capacitor for each of the three regulated supplies is preferred. ON Semiconductor recommends placing a 10 μ F capacitor for each supply off-module but closed to each supply.
4. If module limitations allow for only three decoupling capacitors, a 0.1 μ F capacitor for each of the three regulated supplies is preferred. ON Semiconductor recommends placing a 10 μ F capacitor for each supply off-module but close to each supply.
5. Priority should be given to the VAA supply for additional decoupling capacitors.
6. Inductive filtering components are not recommended.
7. Follow best practices when performing physical layout.

Signal Descriptions

Table 3. SIGNAL DESCRIPTIONS

Name	Type	Description
EXTCLK	Input	Input clock signal
STANDBY	Input	Controls sensor's standby mode, active HIGH
SCLK	Input	Two-wire serial interface clock
SDATA	I/O	Two-wire serial interface data
FRAME_VALID (FV)	Output	Identifies rows in the active image
LINE_VALID (LV)	Output	Identifies pixels in the active line
PIXCLK	Output	Pixel clock
DOUT[7:0]	Output	DOUT[7:0] for 8-bit image data output
CLK_N	Output	Differential MIPI clock
CLK_P	Output	Differential MIPI clock
DATA_N	Output	DATA_N Output Differential MIPI data
DATA_P	Output	DATA_P Output Differential MIPI data
VDD	Supply	Digital power
DGND	Supply	Digital ground
VDD_IO	Supply	I/O power supply
VPP	Supply	OTPM power supply
VDD_PLL	Supply	PLL power
VDD_PHY	Supply	MIPI power supply
GND_PLL	Supply	PLL ground
VAA	Supply	Analog power
AGND	Supply	Analog ground

Table 4. PAD FUNCTIONALITY BASED ON OUTPUT MODES

Parallel Output	MIPI Output
DOUT[6]	DATA_N
DOUT[7]	DATA_P
FRAME_VALID	CLK_P
LINE_VALID	CLK_N

Power-On Reset

The MT9V115 includes a power-on reset feature that initiates a reset upon power-up. A soft reset is issued by writing commands through the two-wire serial interface.

Two types of reset are available:

- A soft reset is issued by writing commands (SYSCTL R0x001A[0] = 1) through the two-wire serial interface register 0x1A bit[4:6] during normal operation.
- An internal power-on reset

The output states after hard reset are shown in Table 5.

A soft reset sequence to the sensor has the same effect as the hard reset and can be activated by writing to a register through the two-wire serial interface. On-chip power-onreset circuitry can generate an internal reset signal in case an external reset is not provided. The RESET_BAR signal has an internal pull-up resistor and can be left floating.

Standby

The MT9V115 supports two different standby modes:

1. Hard standby mode
2. Soft standby mode

The hard standby mode is invoked by asserting the STANDBY pin. It then disables all of the digital logic within the image sensor, and only supports being awoken by de-asserting the STANDBY pin. The soft standby mode is enabled by a single register access, which then disables the sensor core and most of the digital logic. However, the serial interface is kept alive, which allows the image sensor to be awoken via a serial register access.

All output signal status during standby are shown in Table 5.

Table 5. STATUS OF OUTPUT SIGNALS DURING RESET AND STANDBY

Signal	Reset	Post-Reset	Standby
Dout[7:0]	High-Z	High-Z	High-Z
PIXCLK	High-Z	High-Z	High-Z
LV	High-Z	High-Z	High-Z
FV	High-Z	High-Z	High-Z
CLK_N	High-Z	0	0
CLK_P	High-Z	0	0
DATA_N	High-Z	0	0
DATA_P	High-Z	0	0

Hard Standby Mode

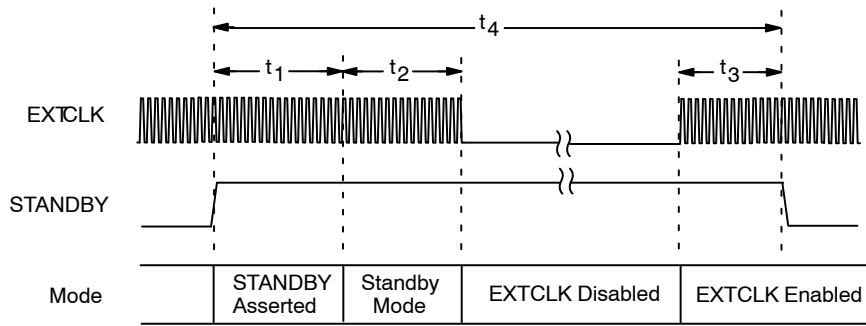
The MT9V115 can enter hard standby mode by using external STANDBY signal, as shown in Figure 3. The two-wire serial interface and IFP block shut down even when EXTCLK is running during hard standby mode.

Exiting Standby Mode

1. De-assert STANDBY signal (LOW).

Entering Standby Mode

1. Assert STANDBY signal (HIGH).
2. Part is now ready for streaming.



NOTE: In hard standby mode, EXTCLK is automatically gated off, and the two-wire serial interface is not active.

Figure 3. Hard Standby Mode Operation

Table 6. HARD STANDBY SIGNAL TIMING

Symbol	Parameter	Min	Typ	Max	Unit
t ₁	Standby entry complete (EOF hard standby)	1 Frame + 16742	–	1 Frame + 17032	EXTCLKs
t ₂	Active EXTCLK required after STANDBY asserted	10	–	–	EXTCLKs
t ₃	Active EXTCLK required before STANDBY de-asserted	10	–	–	EXTCLKs
t ₄	STANDBY pulse width	1 Frame + 16762	–	–	EXTCLKs

Soft Standby Mode

The MT9V115 can enter soft standby mode by writing to a SYSCTL register through the two-wire serial interface, as shown in Figure 4. EXTCLK can be stopped to reduce the power consumption during soft standby mode. However, since two-wire serial interface requires EXTCLK to operate, ON Semiconductor recommends that EXTCLK run continuously.

Exiting Standby Mode

1. Turn EXTCLK on.
2. Reset SYSCTL register 0x0018[0] to “0.”
3. Check until SYSCTL register 0x0018[14] changes to “0”.

NOTE: Steps 1 is only necessary in soft standby mode if EXTCLK is turned off.

Entering Standby Mode

1. Set SYSCTL 0x0018[0] to “1” to initiate standby mode.
2. Check until SYSCTL 0x0018[14] changes to “1” to indicate MT9V115 is in standby mode.
3. Turn EXTCLK off.

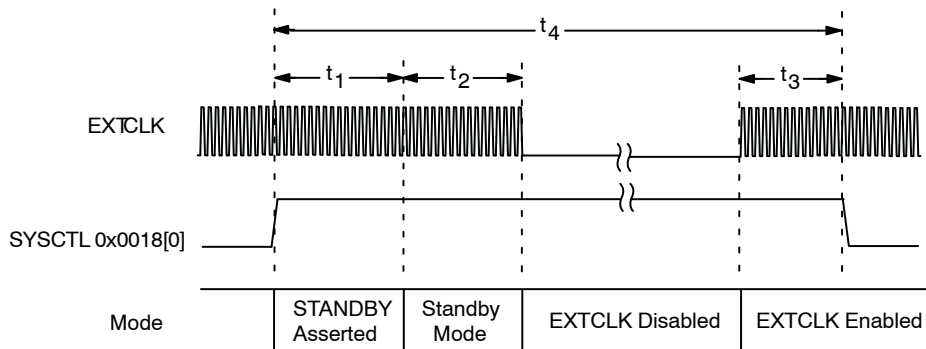


Figure 4. Soft Standby Mode Operation

Table 7. SOFT STANDBY SIGNAL TIMING

Symbol	Parameter	Min	Typ	Max	Unit
t ₁	Standby entry complete (0x301A[4] = 1)	1 Frame + 16742	–	1 Frame + 17032	EXTCLKs
t ₂	Active EXTCLK required after soft standby activates	10	–	–	EXTCLKs
t ₃	Active EXTCLK required before soft standby de-activates	10	–	–	EXTCLKs
t ₄	Minimum standby time	1 Frame + 16762	–	–	EXTCLKs

Module ID

The MT9V115 provides 4 bits of module ID that can be read by the host processor from register 0x001A[15:12]. The module ID is programmed through the OTPM.

Parallel Image Data Output Interface

The user can use the 8-bit parallel output (DOUT[7:0]) to transmit the sensor image data in 8-bit YUV or in 8+2 Bayer formats to the host system as shown in Figure 5 for pixel data timing within a line and in Figure 6 for frame and line timing structures.

The MT9V115 has an output FIFO to retain a constant pixel output clock independent from the data output rate variations due to scaling factor (used only in 8-bit YUV).

The MT9V115 image data is read out in a progressive scan mode. Valid image data is surrounded by horizontal

blanking and vertical blanking. The amount of horizontal blanking and vertical blanking are programmable.

MT9V115 output data is synchronized with the PIXCLK output. When LINE_VALID(LV) is HIGH, one pixel value (10-bit bayer data) is output through PIXCLK period as shown in Figure 5. PIXCLK is continuously running as default even during the blanking period. The MT9V115 can be programmed to delay the PIXCLK edge relative to the DOUT transitions. Also, PIXCLK phase can be programmed by the user.

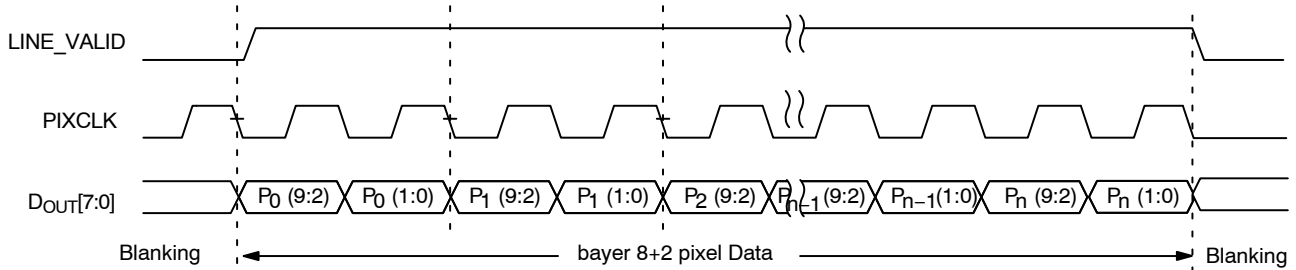
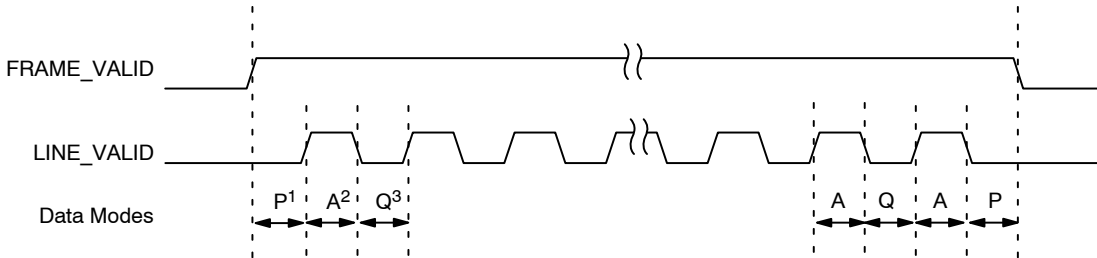


Figure 5. Pixel Data Timing Example: 8+2 Bayer format



- Notes:
1. P: Frame start and end blanking time.
 2. A: Active data time.
 3. Q: Horizontal blanking time.

Figure 6. Frame Timing, FV, and LV Signals

Serial Port

This section describes how frames of pixel data are represented on the high-speed MIPI serial interface. The MIPI output transmitter implements a serial differential sub-LVDS transmitter capable of up to 176 Mb/s. It supports multiple formats, error checking, and custom short packets.

When the sensor is in the hard standby system state or in the soft standby system state, the MIPI signals (CLK_P, CLK_N, DATA_P, DATA_N) indicate ultra low power state (ULPS) corresponding to (nominal) 0V levels being driven on CLK_P, CLK_N, DATA_P, and DATA_N. This is equivalent to signaling code LP-00.

When the sensor enters the streaming state, the interface goes through the following transitions:

1. After the PLL has locked and the bias generator for the MIPI drivers has stabilized, the MIPI interface transitions from the ULPS state to the ULPS-exit state (signaling code LP-10).
2. After a delay (TWAKEUP), the MIPI interface transitions from the ULPS-exit state to the TX-stop state (signaling code LP-11).
3. After a short period of time (the programmed integration time plus a fixed overhead), frames of pixel data start to be transmitted on the MIPI interface. Each frame of pixel data is transmitted as a number of high-speed packets. The transition from the TX-stop state to the high-speed signaling states occurs in accordance with the MIPI specifications. Between high-speed packets and between frames, the MIPI interface idles in the TX-stop state. The transition from the high-speed signaling states and the TX-stop state takes place in accordance with the MIPI specifications.
4. If the sensor is reset, any frame in progress is aborted immediately and the MIPI signals switch to indicate the ULPS.
5. If the sensor is taken out of the streaming system state and SYSCTL R0x0042[0] = 1 (standby end-of-frame), any frame in progress is completed and the MIPI signals switch to indicate the ULPS.

If the sensor is taken out of the streaming system state and SYSCTL R0x0042[0] = 0 (standby end-of-line), any frame in progress is aborted as follows:

1. Any long packet in transmission is completed.
2. The end of frame short packet is transmitted.

After the frame has been aborted, the MIPI signals switch to indicate the ULPS.

Sensor Control

The sensor core of the MT9V115 is a progressive-scan sensor that generates a stream of pixel data at a constant frame rate. Figure 7 shows a block diagram of the sensor core. It includes the VGA active-pixel array. The timing and control circuitry sequences through the rows of the array, resetting and then reading each row in turn. In the time interval between resetting a row and reading that row, the pixels in the row integrate incident light. The exposure is controlled by varying the time interval between reset and readout. Once a row has been selected, the data from each column is sequenced through an analog signal chain, including offset correction, gain adjustment, and ADC. The final stage of the sensor core converts the output of the ADC into 10-bit data for each pixel in the array.

The pixel array contains optically active and light-shielded (dark) pixels. The dark pixels are used to provide data for the offset-correction algorithms (black level control).

The sensor core contains a set of control and status registers that can be used to control many aspects of the sensor behavior including the frame size, exposure, and gain setting. These registers are controlled by the MCU firmware and are also accessible by the host processor through the two-wire serial interface.

The output from the sensor core is a Bayer pattern; alternate rows are a sequence of either red and green pixels or blue and green pixels. The offset and gain stages of the analog signal chain provide per-color control of the pixel data.

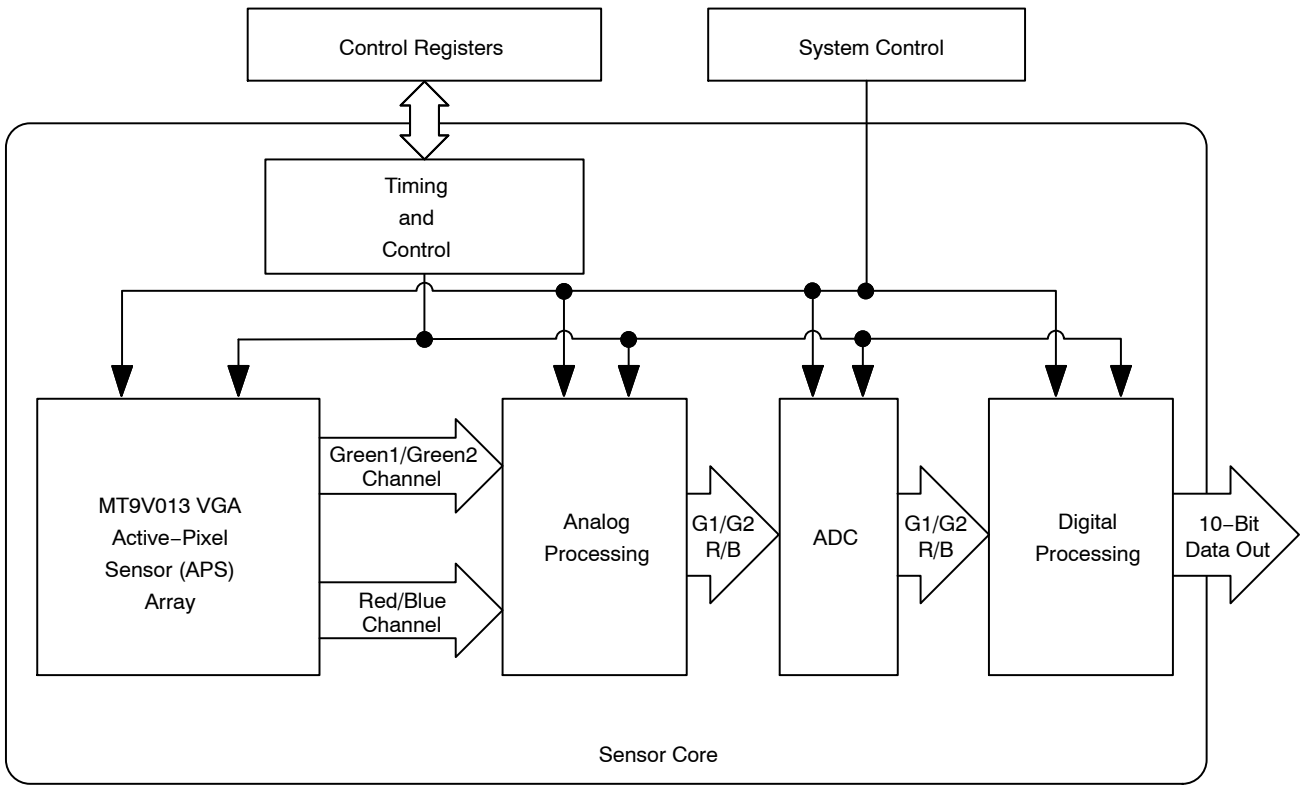


Figure 7. Sensor Core Block Diagram

The sensor core uses a Bayer color pattern, as shown in Figure 8. The even-numbered rows contain green and red pixels; odd-numbered rows contain blue and green pixels.

Even-numbered columns contain green and blue pixels; odd-numbered columns contain red and green pixels.

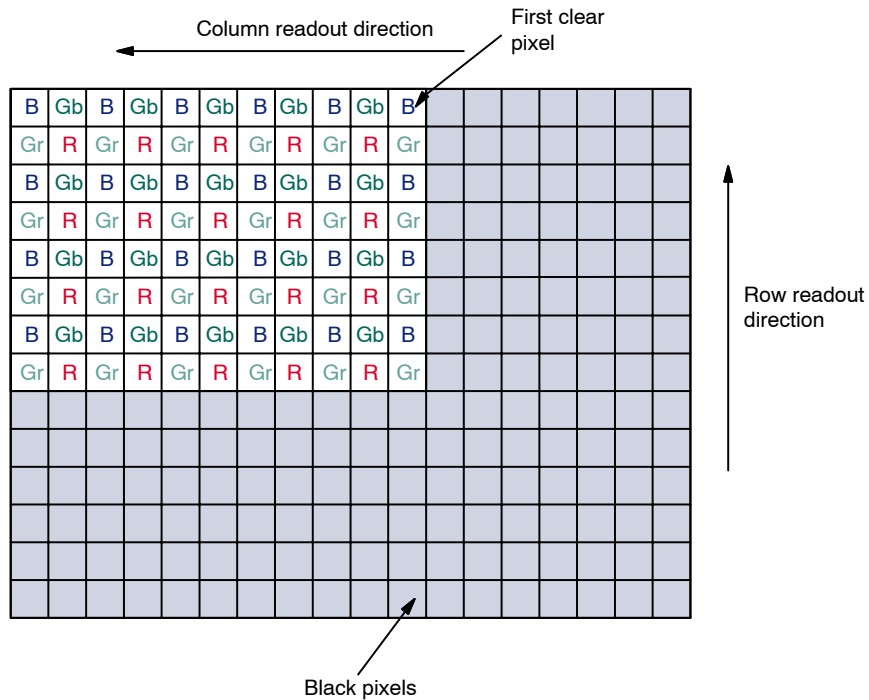


Figure 8. Pixel Color Pattern Detail

The MT9V115 sensor core pixel array is shown which reflects the layout of the array on the die. Figure 9 shows the image shown in the sensor during normal operation.

When the image is read out of the sensor, it is read one row at a time, with the rows and columns sequenced.

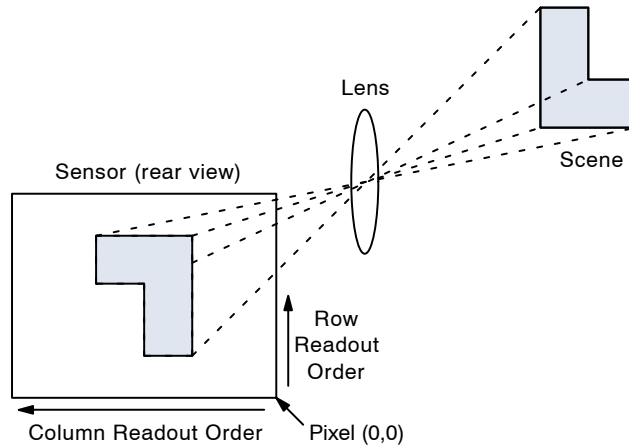


Figure 9. Imaging a Scene

The sensor core supports different readout options to modify the image before it is sent to the IFP. The readout can be limited to a specific window size of the original pixel array.

By changing the readout order, the image can be mirrored in the horizontal direction.

The image output size is set by programming row and column start and end address registers. The four edge pixels in the 648 x 488 array are present to avoid edge effects and are not included in the visible window.

When the sensor is configured to mirror the image horizontally, the order of pixel readout within a row is reversed, so that readout starts from the last column address and ends at the first column address. Figure 10 shows a sequence of 6 pixels being read out with normal readout and reverse readout. This change in sensor core output is corrected by the IFP.

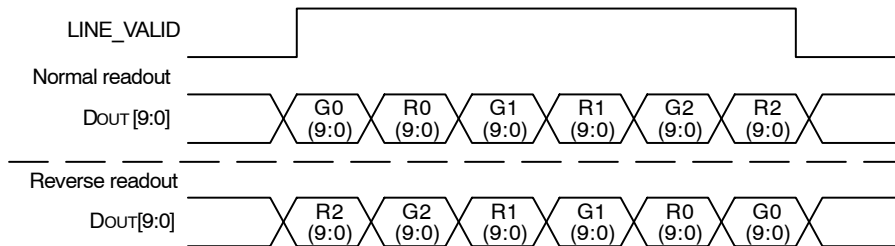


Figure 10. Six Pixels in Normal and Column Mirror Readout Mode

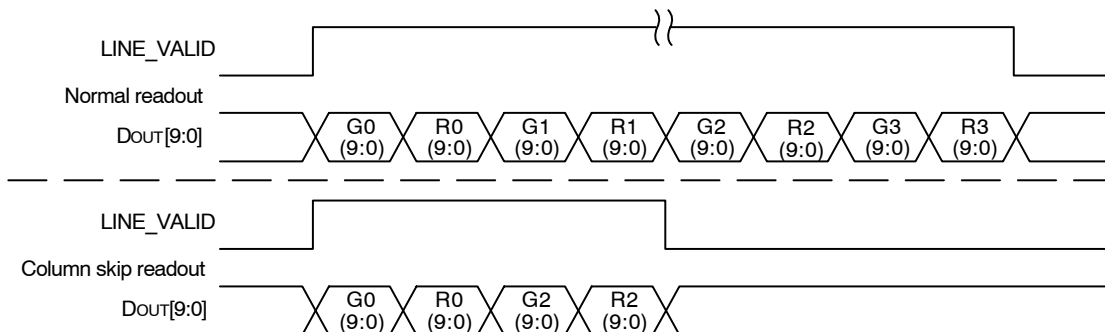


Figure 11. Eight Pixels in Normal and Column Skip 2X Readout Mode

Figures 12 and 13 show the different skipping modes supported in MT9V115.

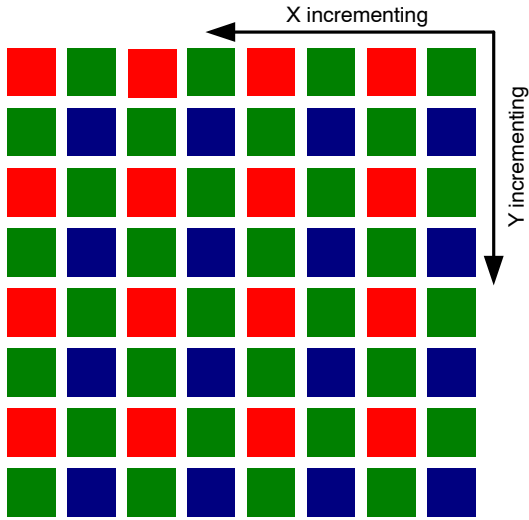


Figure 12. Pixel Readout (no skipping)

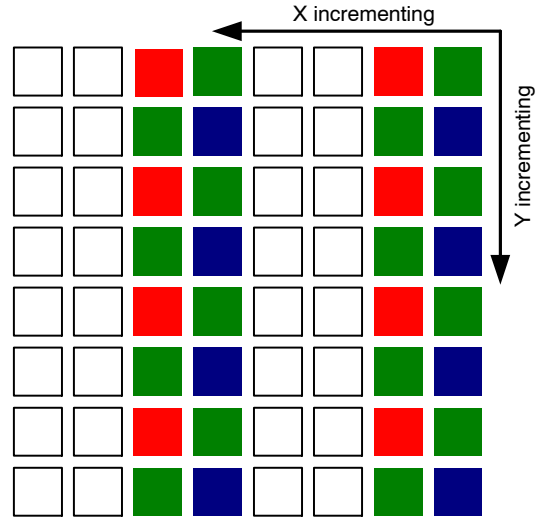


Figure 13. Pixel Readout
(x_odd_inc = 3, y_odd_inc = 1)

Image Flow Processor

Image control processing in the MT9V115 is implemented in the IFP hardware logic. The IFP registers can be programmed by the host processor. For normal

operation, the microcontroller automatically adjusts the operational parameters of the IFP. Figure 14 shows the image data processing flow within the IFP.

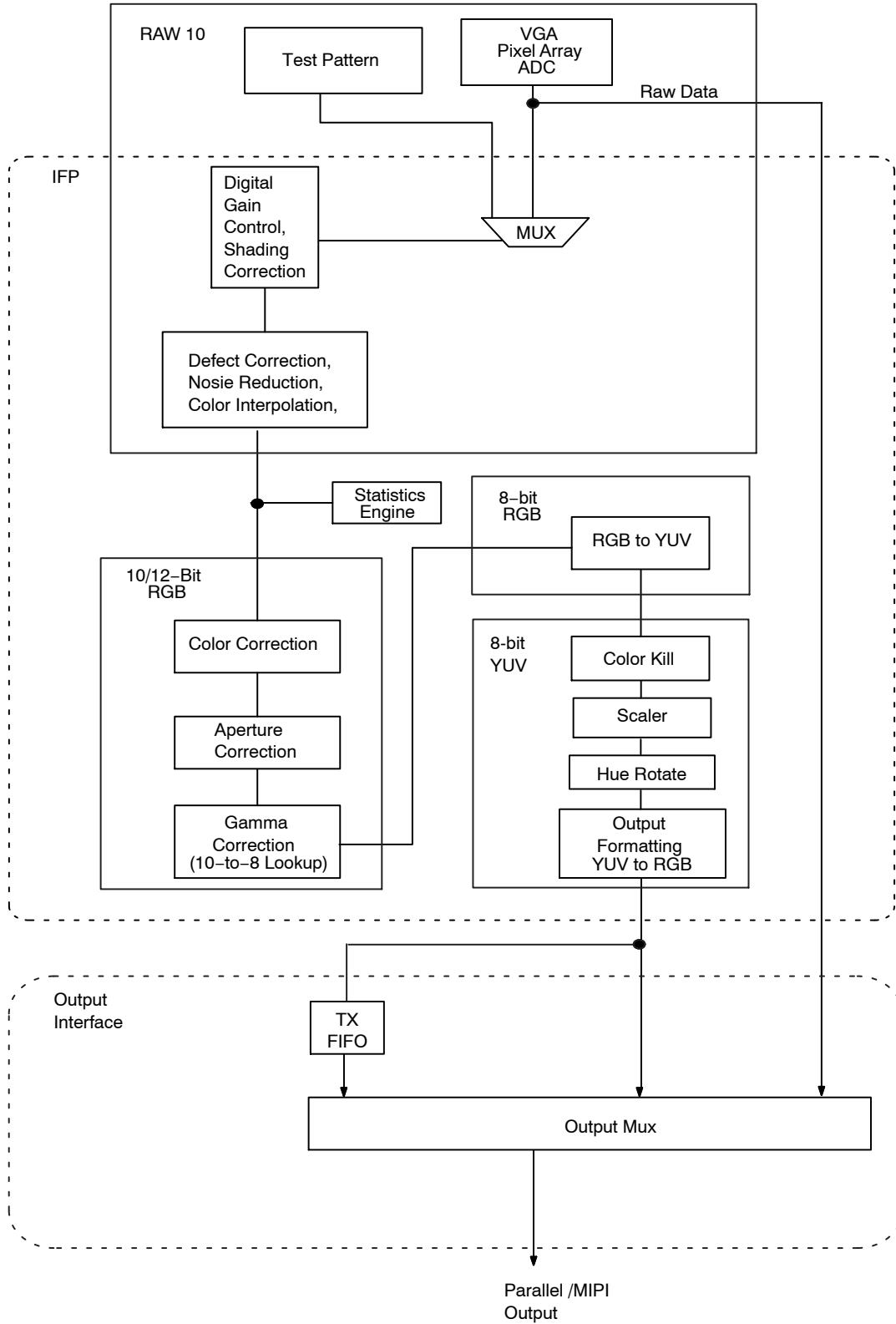


Figure 14. Image Flow Processor

For normal operation of the MT9V115, streams of raw image data from the sensor core are continuously fed into the color pipeline. The MT9V115 features an automatic color

bar test pattern generation function to emulate sensor images as shown in Figure 15.

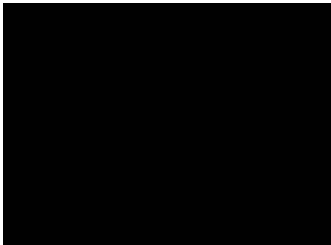
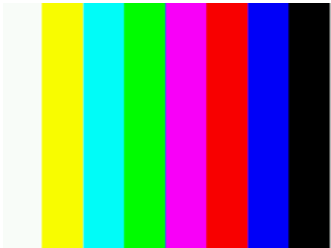
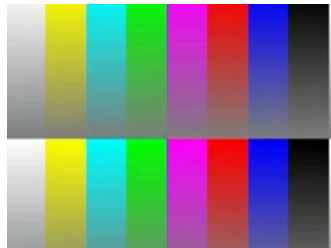

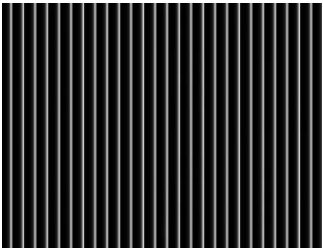
Test Pattern	Example
<pre>FIELD_WR= SEQ_CMD, 0x15 // solid color REG=0x3072, 0x0200 // RED REG=0x3074, 0x0200 // GREEN RED REG=0x3076, 0x0200 // BLUE REG=0x3078, 0x0200 // GREEN BLUE</pre>	
<pre>FIELD_WR= SEQ_CMD, 0x16 //100% color bar</pre>	
<pre>FIELD_WR= SEQ_CMD, 0x17 //fade to gray</pre>	
<pre>FIELD_WR= SEQ_CMD, 0x18 // pseudo random</pre>	
<pre>FIELD_WR= SEQ_CMD, 0x19 // marching ones</pre>	

Figure 15. Color Bar Test Pattern

Image Corrections

Image stream processing starts with the multiplication of all pixel values by a programmable digital gain. This can be independently set to separate values for each color channel

(R, Gr, Gb, B). Independent color channel digital gain can be adjusted with variables.

Lenses tend to produce images whose brightness is significantly attenuated near the edges. There are also other

factors causing fixed pattern signal gradients in images captured by image sensors. The cumulative result of all these factors is known as image shading. The MT9V115 has an embedded shading correction module that can be programmed to counter the shading effects on each individual R, Gb, Gr, and B color signal.

The IFP performs continuous defect correction that can mask pixel array defects such as high dark-current (hot) pixels and pixels that are darker or brighter than their neighbors due to photoresponse nonuniformity. The module is edge-aware with exposure that is based on configurable thresholds. The thresholds are changed continuously based on the brightness of the current scene. Enabling and disabling noise reduction, and setting thresholds can be defined through variable settings.

Color Interpolation and Edge Detection

In the raw data stream fed by the sensor core to the IFP, each pixel is represented by a 10-bit integer, which can be considered proportional to the pixel’s response to a one-color light stimulus, red, green, or blue, depending on the pixel’s position under the color filter array. Initial data processing steps, up to and including the defect correction, preserve the one-color-per-pixel nature of the data stream, but after the defect correction it must be converted to a three-colors-per-pixel stream appropriate for standard color processing. The conversion is done by an edge-sensitive color interpolation module. The module adds the incomplete color information available for each pixel with information extracted from an appropriate set of neighboring pixels. The algorithm used to select this set and extract the information seeks the best compromise between preserving edges and filtering out high-frequency noise in flat field areas. The edge threshold can be set through variable settings.

Color Correction and Aperture Correction

To achieve good color fidelity of the IFP output, interpolated RGB values of all pixels are subjected to color correction. The IFP multiplies each vector of three pixel colors by a 3 x 3 color correction matrix. The color correction matrix can either be programmed by the user or automatically selected by the AWB algorithm implemented in the IFP. Color correction should ideally produce output colors that are independent of the spectral sensitivity and color crosstalk characteristics of the image sensor. The optimal values of the color correction matrix elements depend on those sensor characteristics. The color correction variables can be adjusted through variable settings.

To increase image sharpness, a programmable 2D aperture correction (sharpening filter) is applied to color-corrected image data. The gain and threshold for 2D correction can be defined through variable settings.

Gamma Correction

The gamma correction curve (as shown in Figure 16) is implemented as a piecewise linear function with 19 knee points, taking 12-bit arguments and mapping them to 8-bit output. The abscissas of the knee points are fixed at 0, 64, 128, 256, 512, 768, 1024, 1280, 1536, 1792, 2048, 2304, 2560, 2816, 3072, 3328, 3584, 3840, and 4096.

The MT9V115 IFP includes a block for gamma correction that has the capability to adjust its shape, based on brightness, to enhance the performance under certain lighting conditions. Two custom gamma correction tables may be uploaded, one corresponding to a high lighting condition, the other one corresponding to a low lighting condition. The final gamma correction table used depends on the brightness of the scene and can take the form of either uploaded tables or an interpolated version of the two tables. A single (non-adjusting) table for all conditions can also be used.

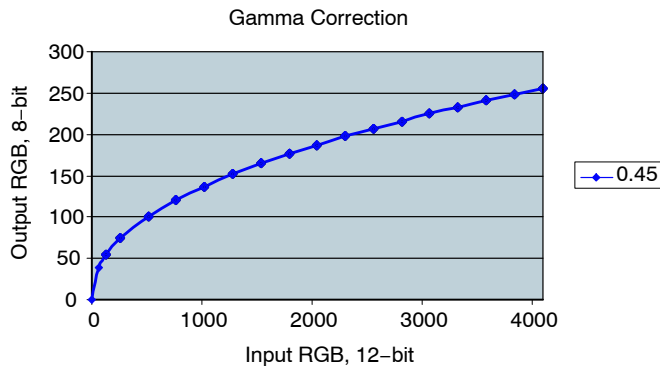


Figure 16. Gamma Correction Curve

Special effects like negative image, sepia solarization, or B/W can be applied to the data stream at this point. These

effects can be enabled and selected by cam_select_fx variable.

To remove high- or low-light color artifacts, a color kill circuit is included. It affects only pixels whose luminance exceeds a certain preprogrammed threshold. The U and V values of those pixels are attenuated proportionally to the difference between their luminance and the threshold.

Image Scaling and Cropping

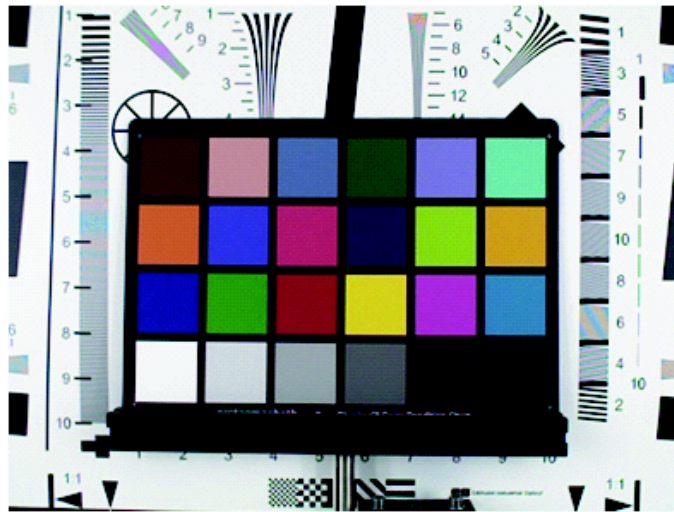
To ensure that the size of images output by the MT9V115 can be tailored to the needs of all users, the IFP includes a scaler module. When enabled, this module performs rescaling of incoming images-shrinks them to selected width and height without reducing the field of view and without discarding any pixel values. The scaler ratios are automatically computed from image output size and the FOV. The scaled output must not be greater than 352. Output

widths greater than this must not use the scaler but instead must reduce the field of view.

By configuring the cropped and output windows to various sizes, different zooming levels such as 4X, 2X, and 1X can be achieved. The height and width definitions for the output window must be equal to or smaller than the cropped image. The image cropping and scaler module can be used together to implement a digital zoom.

Hue Rotate

The MT9V115 has integrated hue rotate. This feature will help for improving the color image quality and give customers the flexibility for fine color adjustment and special color effects.



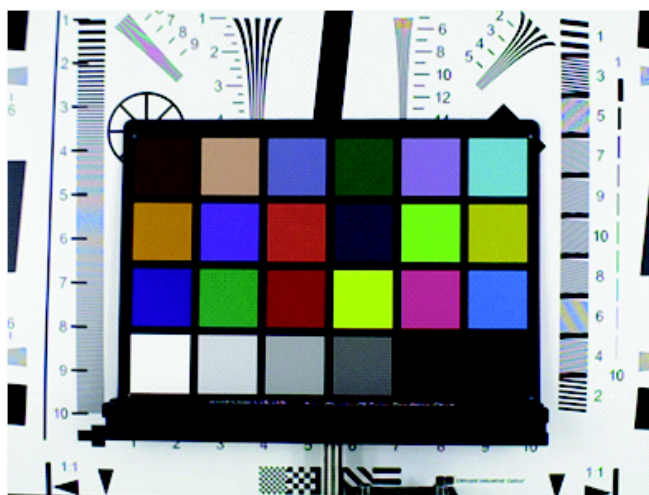
CAM VAR8= 0xA00F, 0x00 // CAM_HUE_ANGLE

Figure 17. 0° Hue



CAM VAR8= 0xA00F, 0xEA // CAM_HUE_ANGLE

Figure 18. -22° Hue



CAM VAR8= 0xA00F, 0x16 // CAM_HUE_ANGLE

Figure 19. +22° Hue

Auto Exposure

The AE algorithm performs automatic adjustments of the image brightness by controlling exposure time, and analog gains of the sensor core as well as digital gains applied to the image.

The AE algorithm analyzes image statistics collected by the exposure measurement engine, and then programs the sensor core and color pipeline to achieve the desired exposure. AE uses 4 x 4 exposure statistics windows, which can be scaled in size to cover any portion of the image.

The MT9V115 uses Average Brightness Tracking (Average Y), which uses a constant average tracking algorithm where a target brightness value is compared to a current brightness value, and the gain and integration time are adjusted accordingly to meet the target requirement. The MT9V115 also has a weighted AE algorithm that allows the sensor to be configured to respond to scene illuminance based on each of the weights in the 4 x 4 exposure statistics windows.

The auto exposure can be configured to respond to scene illuminance based on certain criteria by adjusting gains and integration time based on scene brightness.

Auto White Balance

The MT9V115 has a built-in AWB algorithm designed to compensate for the effects of changing spectra of the scene illumination on the quality of the color rendition. The algorithm consists of two major parts: a measurement engine performing statistical analysis of the image and a module performing the selection of the optimal color correction matrix, digital, and sensor core analog gains. While default settings of these algorithms are adequate in most situations, the user can reprogram base color correction matrices and place limits on color channel gains.

The AWB algorithm estimates the dominant color temperature of a light source in a scene and adjusts the B/G,

R/G gain ratios accordingly to produce an image for sRGB display in which grey and white surfaces are reproduced faithfully. This usually means that R,G,B are roughly equal for these surfaces hence the word “balance”.

The AWB algorithm uses statistics collected from the last frame to calculate the required B/G and R/G ratios and set the blue and red analog sensor gains and digital SOC gains to reproduce the most accurate grey and white surfaces in future frames.

Flicker Detection and Avoidance

Flicker occurs when the integration time is not an integer multiple of the period of the light intensity. The automatic flicker detection module does not compensate for the flicker, but rather avoids it by detecting the flicker frequency and adjusting the integration time. For integration times below the light intensity period (10 ms for 50 Hz environment, 8.33 ms for 60 Hz environment), flicker cannot be avoided.

While this fast flickering is marginally detectable by the human eye, it is very noticeable in digital images because the flicker period of the light source is very close to the range of digital images’ exposure times.

Many CMOS sensors use a “rolling shutter” readout mechanism that greatly improves sensor data readout times. This allows pixel data to be read out much sooner than other methods that wait until the entire exposure is complete before reading out the first pixel data. The rolling shutter mechanism exposes a range of pixel rows at a time. This range of exposed pixels starts at the top of the image and then “rolls” down to the bottom during the exposure period of the frame. As each pixel row completes its exposure, it is ready to be read out. If the light source oscillates (flickers) during this rolling shutter exposure period, the image appears to have alternating light and dark horizontal bands.

If the sensor uses the traditional snapshot readout mechanism, in which all pixels are exposed at the same time

and then the pixel data is read out, then the image may appear overexposed or underexposed due to light fluctuations from the flickering light source. Lights operating on AC electric systems produce light flickering at a frequency of 100 Hz or 120 Hz, twice the frequency of the power line.

To avoid this flicker effect, the exposure times must be multiples of the light source flicker periods. For example, in a scene lit by 60 Hz AC power source, the available exposure times are 8.33 ms (1/120), 16.67 ms, 25 ms, 33.33 ms, and so on.

In this case, the AE algorithm must limit the integration time to an integer multiple of the light's flicker period.

By default, the MT9V115 does all of this automatically, ensuring that all exposure times avoid any noticeable light flicker in the scene. The MT9V115 AE algorithm is always setting exposure times to be integer multipliers of either 100 Hz (for 50 Hz AC power source) or 120 Hz (for 60 Hz AC power source). The flicker detection module keeps monitoring the incoming frames to detect whether the scene's lighting has changed to the other of the two light source frequencies. A 50 Hz/60 Hz Tungsten lamp can be used to calibrate the flicker detect settings.

Output Conversion and Formatting

The YUV data stream can either exit the color pipeline as is or be converted before exit to an alternative YUV or RGB data format.

Color Conversion Formulas

Y'U'V':

This conversion is BT 601 scaled to make YUV range from 0 through 255. This setting is recommended for JPEG encoding and is the most popular, although it is not well defined and often misused in various operating systems.

$$Y' = 0.299 \times R' + 0.587 \times G' + 0.114 \times B' \quad (\text{eq. 1})$$

$$U' = 0.564 \times (B' - Y') + 128 \quad (\text{eq. 2})$$

$$V' = 0.713 \times (R' - Y') + 128 \quad (\text{eq. 3})$$

There is an option where 128 is not added to U'V'.

Y'Cb'Cr' Using sRGB Formulas

The MT9V115 implements the sRGB standard. This option provides YCbCr coefficients for a correct 4:2:2 transmission.

NOTE: 16 < Y601 < 235; 16 < Cb < 240; 16 < Cr < 240; and 0 < = RGB < = 255

$$Y' = (0.2126 \times R' + 0.7152 \times G' + 0.0722 \times B') \times (219/256) + 16 \quad (\text{eq. 4})$$

$$Cb' = 0.5389 \times (B' - Y') \times (224/256) + 128 \quad (\text{eq. 5})$$

$$Cr' = 0.635 \times (R' - Y') \times (224/256) + 128 \quad (\text{eq. 6})$$

Y'U'V' Using sRGB Formulas:

These are similar to the previous set of formulas, but have YUV spanning a range of 0 through 255.

$$Y' = 0.2126 \times R' + 0.7152 \times G' + 0.0722 \times B' \quad (\text{eq. 7})$$

$$U' = 0.5389 \times (B' - Y') + 128 = -0.1146 \times R' - 0.3854 \times G' + 0.5 \times B' + 128 \quad (\text{eq. 8})$$

$$V' = 0.635 \times (R' - Y') + 128 = 0.5 \times R' - 0.4542 \times G' - 0.0458 \times B' + 128 \quad (\text{eq. 9})$$

There is an option to disable adding 128 to U'V'. The reverse transform is as follows:

$$R' = Y + 1.5748 \times V - 128 \quad (\text{eq. 10})$$

$$G' = Y - 0.1873 \times (U - 128) - 0.4681 \times (V - 128) \quad (\text{eq. 11})$$

$$B' = Y + 1.8556 \times (U - 128) \quad (\text{eq. 12})$$

Uncompressed YUV/RGB Data Ordering

The MT9V115 supports swapping YCbCr mode, as illustrated in Table 8.

Table 8. YCbCr OUTPUT DATA ORDERING

Mode	Data Sequence			
Default (no swap)	Cb _i	Y _i	Cr _i	Y _{i+1}
Swapped CrCb	Cr _i	Y _i	Cb _i	Y _{i+1}
Swapped YC	Y _i	Cb _i	Y _{i+1}	Cr _i
Swapped CrCb, YC	Y _i	Cr _i	Y _{i+1}	Cb _i

The RGB output data ordering in default mode is shown in Table 9. The odd and even bytes are swapped when

luma/chroma swap is enabled. R and B channels are bitwise swapped when chroma swap is enabled.

Table 9. RGB ORDERING IN DEFAULT MODE

Mode (Swap Disabled)	Byte	D ₇ D ₆ D ₅ D ₄ D ₃ D ₂ D ₁ D ₀
565RGB	Odd	R ₇ R ₆ R ₅ R ₄ R ₃ G ₇ G ₆ G ₅
	Even	G ₄ G ₃ G ₂ B ₇ B ₆ B ₅ B ₄ B ₃

Uncompressed 10-Bit Bypass Output

Raw 10-bit Bayer data from the sensor core can be output in bypass mode by using DOUT[7:0] with a special 8 + 2 data format, shown in Table 10.

Table 10. 2-BYTE BAYER FORMAT

Byte	Bits Used	Bit Sequence
Odd bytes	8 data bits	D ₉ D ₈ D ₇ D ₆ D ₅ D ₄ D ₃ D ₂
Even bytes	2 data bits + 6 unused bits	0 0 0 0 0 0 D ₁ D ₀

Table 11. DATA FORMATS SUPPORTED BY MIPI INTERFACE

Data Format	Data Type
YUV 422 8-bit	0x1E
565RGB	0x22
RAW8	0x2A
RAW10	0x2B

1. Data will be packed as RAW8 if the data type specified does not match any of the above data types.

BT656

YUV data can also be output in BT656 format with odd SAV/EAV codes. The BT656 data output will be progressive data and not interlaced (R0x3C00[5] = 1).

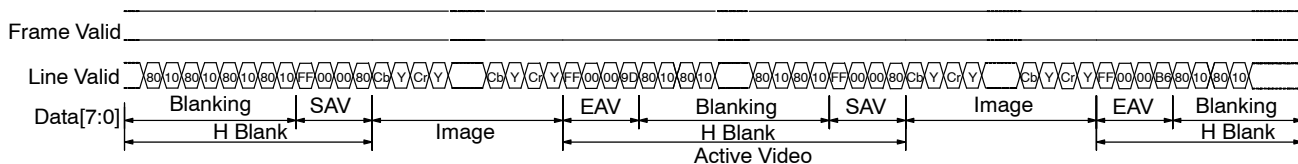


Figure 20. BT656 Image Data with Odd SAV/EAV Codes

Defect Correction(DC) and Noise Reduction(NR)

There is also a third output conversion format DCNR which is available in both MIPI and parallel mode. DCNR mode allows the image to be either defect corrected or noise

corrected. In MIPI mode it is available as 10 bit output and in Parallel as 8 + 2 bit output. There is a restriction on the number of lines as four are removed for the process resulting in a maximum 648 x 484 output.

Register and Variable Description

To change internal registers and RAM variables of MT9V115, use the two-wire serial interface through the external host device.

NOTE: For more detailed information on MT9V115 registers and variables, see the MT9V115 Register and Variable Reference.

The sequencer is responsible for coordinating all events triggered by the user.

The sequencer provides the high-level control of the MT9V115. Commands are written to the command variable to start streaming, stop streaming, and to select test pattern modes. Command execution is confirmed by reading back the command variable with a value of zero. The sequencer state variable can also be checked for transition to the desired state. All configuration of the sensor (start/stop row/column, mirror, skipping) and the SOC (image size, format) and automatic algorithms for AE, AWB, low light, are performed when the sequencer is in the stopped state.

When the sequencer is in the idle or test pattern state the algorithms and register updates are not performed, allowing the host complete manual control.

3. a 16-bit register address (8-bit addresses are not supported)
4. an (a no) acknowledge bit
5. a 16-bit data transfer (8-bit data transfers are supported using XDMA byte access)
6. a stop condition

The bus is idle when both SCLK and SDATA are HIGH. Control of the bus is initiated with a start condition, and the bus is released with a stop condition. Only the master can generate the start and stop conditions.

A start condition is defined as a HIGH-to-LOW transition on SDATA while SCLK is HIGH.

At the end of a transfer, the master can generate a start condition without previously generating a stop condition; this is known as a repeated start or restart condition.

A stop condition is defined as a LOW-to-HIGH transition on SDATA while SCLK is HIGH.

Data is transferred serially, 8 bits at a time, with the most significant bit (MSB) transmitted first. Each byte of data is followed by an acknowledge bit or a no-acknowledge bit. This data transfer mechanism is used for the slave address/data direction byte and for message bytes. One data bit is transferred during each SCLK clock period. SDATA can change when SCLK is LOW and must be stable while SCLK is HIGH.

Table 12. SUMMARY OF MT9V115 VARIABLES

Name	Variable Description
Monitor Variables	General information
Sequencer Variables	Programming control interface
Advanced Control Variables	Advanced Control Variables Information
FD Variables	Flicker Detect
AE_Track Variables	Auto Exposure
AWB Variables	Auto White Balance
Stat Variables	Statistics
Low Light Variables	Low Light
Cam Variables	Camera Controls

MT9V115 Slave Address

Bits [7:1] of this byte represent the device slave address and bit [0] indicates the data transfer direction. A “0” in bit [0] indicates a WRITE, and a “1” indicates a READ. The slave address default is 0x7A.

Messages

Message bytes are used for sending MT9V115 internal register addresses and data. The host should always use 16-bit address (two bytes) and 16-bit data to access internal registers. Refer to READ and WRITE cycles in Figure 21 through Figure 25.

Each 8-bit data transfer is followed by an acknowledge bit or a no-acknowledge bit in the SCLK clock period following the data transfer. The transmitter (which is the master when writing, or the slave when reading) releases SDATA. The receiver indicates an acknowledge bit by driving SDATA LOW. For data transfers, SDATA can change when SCLK is LOW and must be stable while SCLK is HIGH.

The no-acknowledge bit is generated when the receiver does not drive SDATA low during the SCLK clock period following a data transfer. A no-acknowledge bit is used to terminate a read sequence.

Two-Wire Serial Interface

The two-wire serial interface bus enables read and write access to control and status registers within the MT9V115.

The interface protocol uses a master/slave model in which a master controls one or more slave devices. The MT9V115 always operates in slave mode. The host (master) generates a clock (SCLK) that is an input to the MT9V115 and is used to synchronize transfers. Data is transferred between the master and the slave on a bidirectional signal (SDATA).

Protocol

Data transfers on the two-wire serial interface bus are performed by a sequence of low-level protocol elements, as follows:

1. a (repeated) start condition
2. a slave address/data direction byte

Typical Operation

A typical READ or WRITE sequence begins by the master generating a start condition on the bus. After the start condition, the master sends the 8-bit slave address/data direction byte. The last bit indicates whether the request is for a READ or a WRITE, where a “0” indicates a WRITE

and a “1” indicates a READ. If the address matches the address of the slave device, the slave device acknowledges receipt of the address by generating an acknowledge bit on the bus.

If the request was a WRITE, the master then transfers the 16-bit register address to which a WRITE will take place. This transfer takes place as two 8-bit sequences and the slave sends an acknowledge bit after each sequence to indicate that the byte has been received. The master will then transfer the 16-bit data, as two 8-bit sequences and the slave sends an acknowledge bit after each sequence to indicate that the byte has been received. The master stops writing by generating a (re)start or stop condition. If the request was a READ, the

master sends the 8-bit write slave address/data direction byte and 16-bit register address, just as in the WRITE request. The master then generates a (re)start condition and the 8-bit read slave address/data direction byte, and clocks out the register data, 8 bits at a time. The master generates an acknowledge bit after each 8-bit transfer. The data transfer is stopped when the master sends a no-acknowledge bit.

Single READ from Random Location

Figure 21 shows the typical READ cycle of the host to MT9V115. The first 2 bytes sent by the host are an internal 16-bit register address. The following 2-byte READ cycle sends the contents of the registers to host.

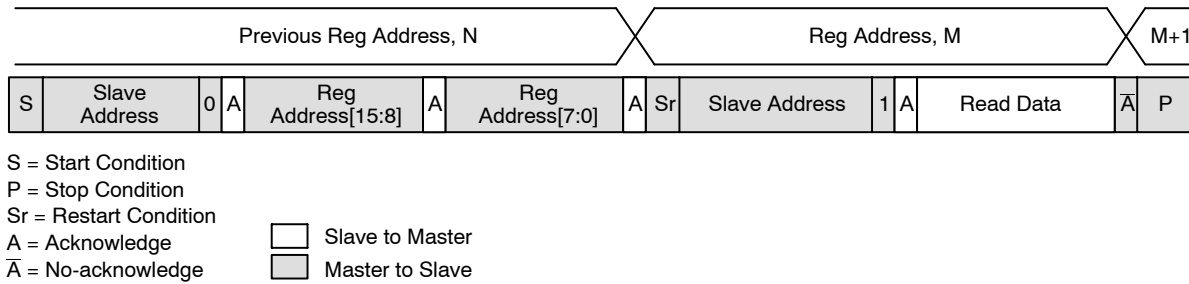


Figure 21. Single READ from Random Location

Single READ from Current Location

Figure 22 shows the single READ cycle without writing the address. The internal address will use the previous address value written to the register.



Figure 22. Single Read from Current Location

Sequential READ, Start from Random Location

This sequence (Figure 23) starts in the same way as the single READ from random location (Figure 21). Instead of generating a no-acknowledge bit after the first byte of data

has been transferred, the master generates an acknowledge bit and continues to perform byte READs until “L” bytes have been read.

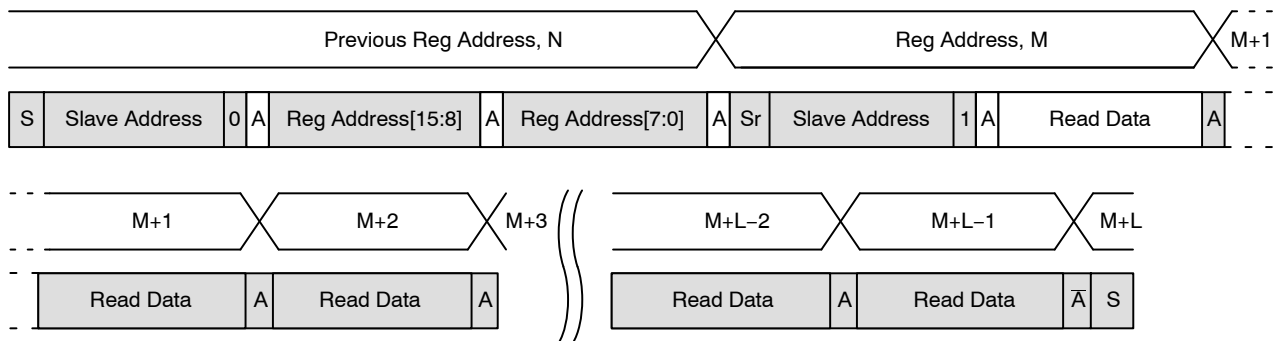


Figure 23. Sequential READ, Start from Random Location

Sequential READ, Start from Current Location

This sequence (Figure 24) starts in the same way as the single READ from current location (Figure 22). Instead of generating a no-acknowledge bit after the first byte of data

has been transferred, the master generates an acknowledge bit and continues to perform byte reads until “L” bytes have been read.

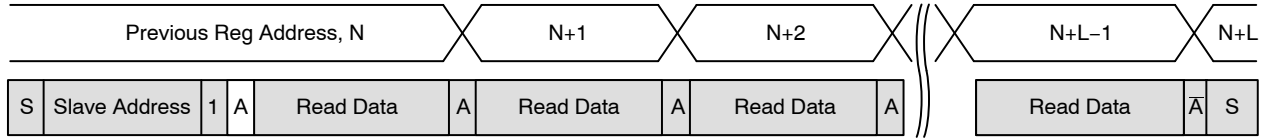


Figure 24. Sequential READ, Start from Current Location

Single Write to Random Location

Figure 25 shows the typical WRITE cycle from the host to the MT9V115. The first 2 bytes indicate a 16-bit address

of the internal registers with most-significant byte first. The following 2 bytes indicate the 16-bit data.

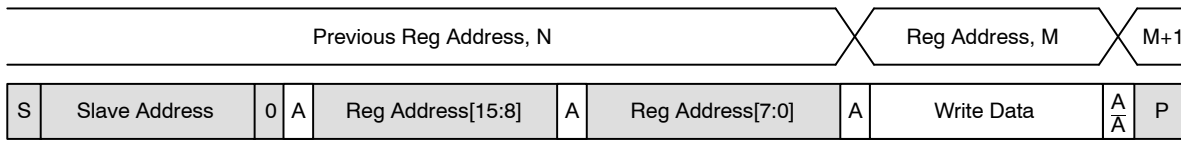


Figure 25. Single WRITE to Random Location

Sequential WRITE, Start at Random Location

This sequence (Figure 26) starts in the same way as the single WRITE to random location (Figure 25). Instead of generating a no-acknowledge bit after the first byte of data

has been transferred, the master generates an acknowledge bit and continues to perform byte writes until “L” bytes have been written. The WRITE is terminated by the master generating a stop condition.

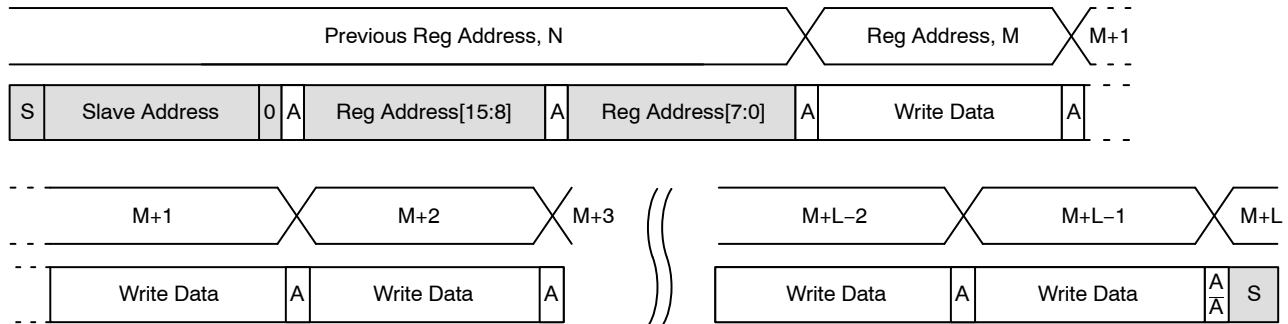


Figure 26. Sequential WRITE, Start at Random Location

Slave Address Selection in Dual Camera Application (Only for Parallel Not Supported in Serial)

The MT9V115 offers a special function specifically for mobile phone applications. This is the ability to connect two

image sensors in a dual-camera configuration. A block diagram of this mode is shown in Figure 27. By toggling between the two STANDBY pins, the image data can be taken off either image sensor.

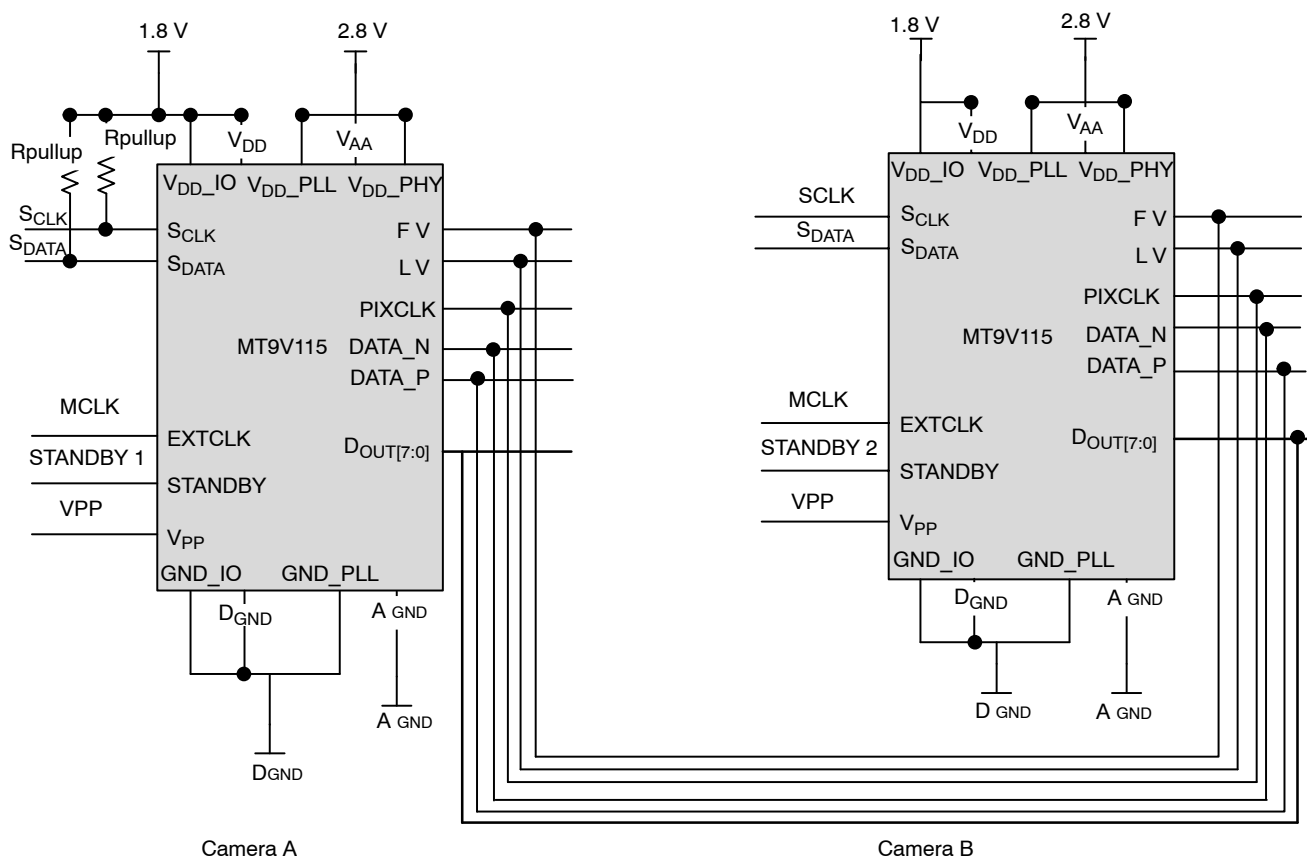


Figure 27. Dual Camera

The process for changing the slave address for Camera B is set out below:

1. Power up Camera A (0x7A) and B (0x7A), with HARD STANDBY asserted.
(Both Camera A and B are in HARD STANDBY)
2. Take camera B out of HARD STANDBY

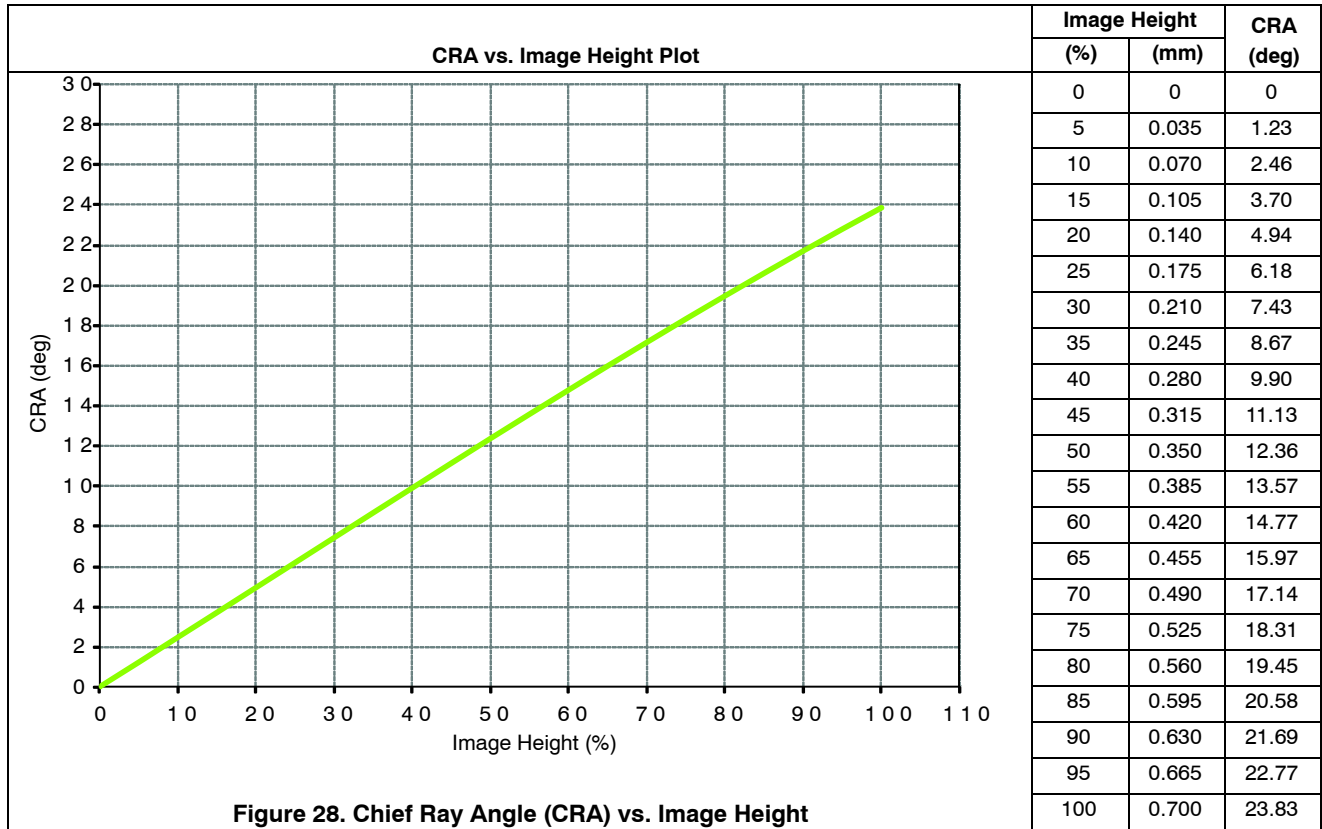
3. Change the address of Camera B (0x78) by writing to a register.
4. Put Camera B back to HARD STANDBY
5. Take Camera A out of HARD STANDBY.
Camera A (0x7A) and Camera B (0x78) now have different slave addresses.

One-Time Programming Memory (OTPM)

The MT9V115 has one-time programmable memory (OTPM) for supporting defect correction, module ID, and other customer-related information. There are 2784 bits of

OTPM available for these listed features. The OTPM can be programmed when the VPP voltage is applied.

Spectral Characteristics



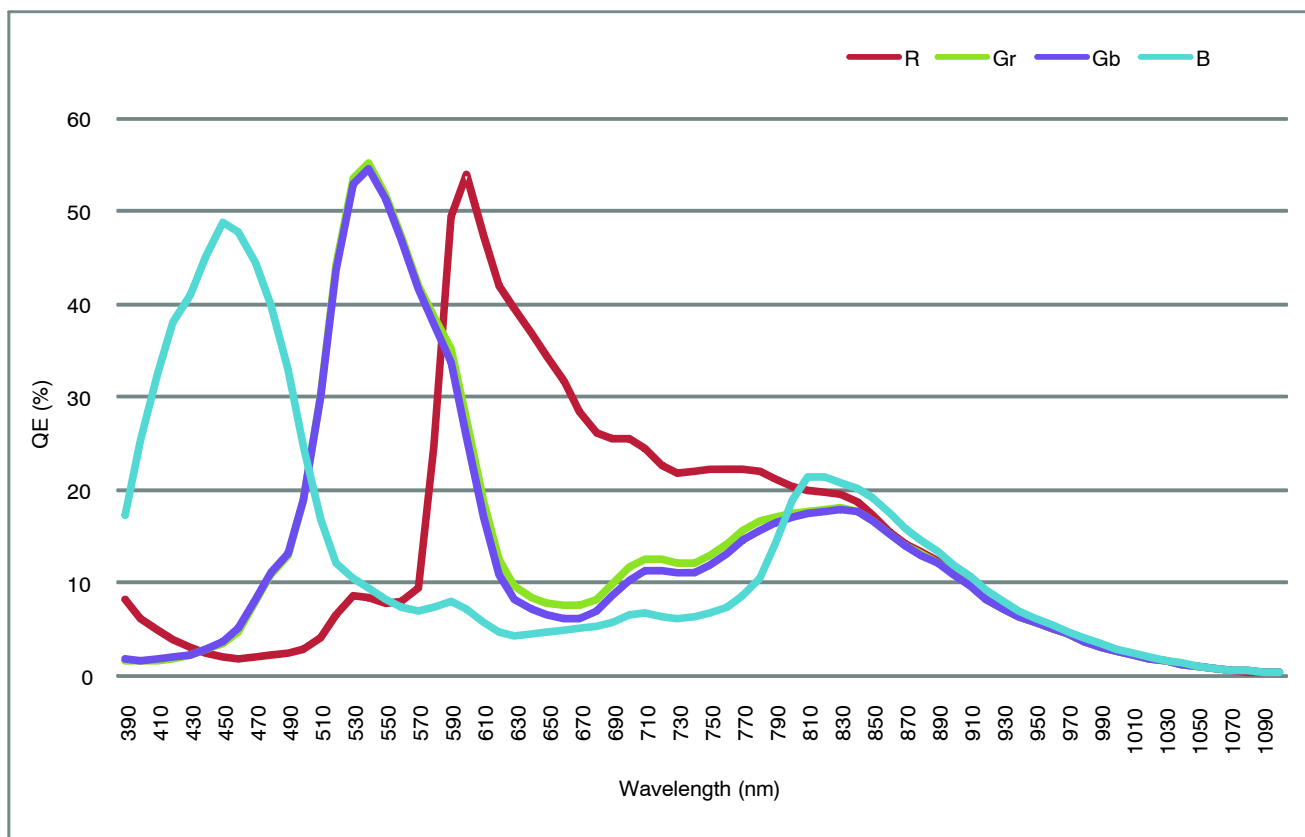


Figure 29. Quantum Efficiency

Electrical Specifications

Table 13. ABSOLUTE MAXIMUM RATINGS

Symbol	Parameter	Rating		Unit
		Min	Max	
V _{DD}	Core digital voltage	-0.3	2.4	V
V _{DD}	Core digital voltage	-0.3	2.4	V
V _{DD_IO}	I/O digital voltage	-0.3	4.0	V
V _{AA}	Analog voltage	-0.3	4.0	V
V _{AA_PIX}	Pixel supply voltage	-0.3	4.0	V
V _{DD_PLL}	PLL supply voltage	-0.3	4.0	V
V _{PP}	OTPM power supply	7.5	9.5	V
V _{IN}	Input voltage	-0.3	V _{DD_IO} + 0.3	V
T _{OP}	Operating temperature (measure at junction)	-30	70	°C
T _{STG} (Note 1)	Storage temperature	-40	85	°C

Stresses exceeding those listed in the Maximum Ratings table may damage the device. If any of these limits are exceeded, device functionality should not be assumed, damage may occur and reliability may be affected.

1. This is a stress rating only, and functional operation of the device at these or any other conditions above those indicated in the product specification is not implied. Exposure to absolute maximum rating conditions for extended periods may affect device reliability.

Recommended Operating Conditions

Table 14. OPERATING CONDITIONS

Symbol	Parameter	Min	Typ	Max	Units
V _{DD}	Core digital voltage	1.7	1.8	1.95	V
V _{DD_IO}	I/O digital voltage	2.5	2.8	3.1	V
		1.7	1.8	1.95	V
V _{AA}	Analog voltage	2.5	2.8	3.1	V
V _{DD_PHY}	MIPI supply voltage	2.5 in MIPI mode V _{DD_IO} in parallel mode	2.8 in MIPI mode V _{DD_IO} in parallel mode	3.1 in MIPI mode V _{DD_IO} in parallel mode	V
V _{AA_PIX}	Pixel supply voltage	2.5	2.8	3.1	V
V _{DD_PLL}	PLL supply voltage	2.5	2.8	3.1	V
V _{PP}	OTPM power supply	8.5	8.5	9	V
T _J	Operating temperature (at junction)	-30	55	70	°C

Table 15. DC ELECTRICAL CHARACTERISTICS

Symbol	Parameter	Condition	Min	Max	Unit
V _{IH}	Input HIGH voltage		0.7 * V _{DD_IO}	V _{DD_IO} + 0.5	V
V _{IL}	Input LOW voltage		-0.3	0.3 * V _{DD_IO}	V
I _{IN}	Input leakage current	V _{IN} = 0V or V _{IN} = V _{DD_IO}		10	μA
V _{OH}	Output HIGH voltage	V _{DD_IO} = 1.8 V, I _{OH} = 2 mA	1.7	-	V
		V _{DD_IO} = 1.8 V, I _{OH} = 4 mA	1.6	-	V
		V _{DD_IO} = 1.8 V, I _{OH} = 8 mA	1.4	-	V
		V _{DD_IO} = 2.8 V, I _{OH} = 2 mA	2.7	-	V
		V _{DD_IO} = 2.8 V, I _{OH} = 4 mA	2.6	-	V
		V _{DD_IO} = 2.8 V, I _{OH} = 8 mA	2.5	-	V
V _{OL}	Output LOW voltage	V _{DD_IO} = 1.8 V, I _{OH} = 2 mA	-	0.1	V
		V _{DD_IO} = 1.8 V, I _{OH} = 4 mA	-	0.2	V
		V _{DD_IO} = 1.8 V, I _{OH} = 8 mA	-	0.4	V
		V _{DD_IO} = 2.8 V, I _{OH} = 2 mA	-	0.1	V
		V _{DD_IO} = 2.8 V, I _{OH} = 4 mA	-	0.2	V
		V _{DD_IO} = 2.8 V, I _{OH} = 8 mA	-	0.4	V

Table 16. OPERATING/STANDBY CURRENT CONSUMPTION

(f_{EXTCLK} = 48 MHz; f_{PIXCLK} = 28 MHz; voltages = Typ; T_J = Typ; excludes V_{DD_IO} current)

Symbol	Parameter	Condition	Min	Max	Unit
I _{DD}	Digital operating current		9	9.5	mA
I _{AA}	Analog operating current		8	8.5	mA
I _{DD_PLL}	PLL supply current		5.5	6	mA
	Total supply current		22.5	24	mA
	Total power consumption		54	57.7	mW

Table 16. OPERATING/STANDBY CURRENT CONSUMPTION (continued)
($f_{EXTCLK} = 48$ MHz; $f_{PIXCLK} = 28$ MHz; voltages = Typ; $T_J = Typ$; excludes V_{DD_IO} current)

Symbol	Parameter	Condition	Min	Max	Unit
I_{DD} (MIPI)	Digital operating current		11	12	mA
I_{AA} (MIPI)	Analog operating current		8	8.5	mA
I_{DD_PLL} (MIPI)	PLL supply current		5.5	6	mA
I_{DD_PHY} (MIPI)	MIPI PHY supply current		6.5	7	mA
	Total supply current (MIPI)		31	33.5	mA
	Total power consumption (MIPI)		75.8	81.8	mW
Hard standby (clock off)	Total standby current when asserting the STANDBY signal		19	22	μ A (Note 1)
	Standby power		45	53	μ W (Note 1)
Soft standby (clock on)	Total standby current	$f_{EXTCLK} = 44$ MHz, Soft standby mode	2.3	2.5	mA (Note 1)
	Standby power		4.5	4.9	mW (Note 1)
Soft standby (clock off)	Total standby current	Soft standby mode	19	22	μ A (Note 1)
	Standby power		45	53	μ W (Note 1)

1. This does not include V_{DD_IO} current.

Table 17. AC ELECTRICAL CHARACTERISTICS

($f_{EXTCLK} = 4-44$ MHz; $V_{DD} = 1.8$ V; $V_{DD_IO} = 1.8$ V – 2.8 V; $V_{AA} = 2.8$ V; $V_{AA_PIX} = 2.8$ V; $V_{DD_PLL} = 2.8$ V; $C_{LOAD} = 30$ pF)

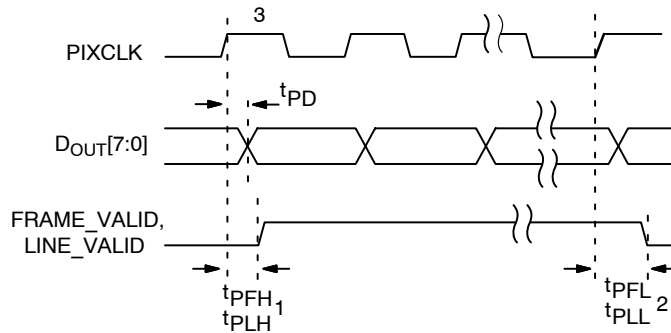
Symbol	Parameter	Conditions	Min	Typ	Max	Unit
f_{EXTCLK}	External clock frequency	PLL enabled	4		44	MHz
t_R (Note 2)	Input clock rise time		–	–	5	ns
t_F (Note 2)	Input clock fall time			–	5	ns
	Clock duty cycle		45	–	55	%
t_{JITTER}	Input clock jitter (peak-to-peak jitter)			–	1	ns
Output signal slew	Rise and fall time of parallel output signals (PIXCLK FV, LV, DOUT) with slew rate programmed to 7. See SYSCTL register 0x001E.	$V_{DD_IO} = 2.8$ V Input clock = 48 MHz $C_{LOAD} = 30$ pf	–	3	–	ns
		$C_{LOAD} = 50$ pf	–	4	–	ns
	Rise and fall time of parallel output signals (PIXCLK, FV, LV, DOUT) with slew rate programmed to 4. See SYSCTL register 0x001E. =	$C_{LOAD} = 30$ pf	–	4	–	ns
		$C_{LOAD} = 50$ pf	–	5	–	ns
	Rise and fall time of parallel output signals (PIXCLK, FV, LV, DOUT) with slew rate programmed to 0. See SYSCTL register 0x001E.	$V_{DD_IO} = 2.8$ V Input clock = 48 MHz $C_{LOAD} = 30$ pf	–	9	–	ns
		$C_{LOAD} = 50$ pf	–	11	–	ns
F_{PIXCLK} (Note 1)	PIXCLK frequency		–	–	22	MHz
t_{PIXCLK_JITTER}	Pixel clock jitter (output jitter, peak-to-peak)		1.3	2.1	3.7	ns

Table 17. AC ELECTRICAL CHARACTERISTICS (continued)

(f_{EXTCLK} = 4–44 MHz; V_{DD} = 1.8 V; V_{DD_IO} = 1.8 V – 2.8 V; V_{AA} = 2.8 V; V_{AA_PIX} = 2.8 V; V_{DD_PLL} = 2.8 V; C_{LOAD} = 30 pF)

Symbol	Parameter	Conditions	Min	Typ	Max	Unit
t _{PD}	PIXCLK to data valid	Input clock = 44 MHz, C _{LOAD} = 30pF	–	–	5	ns
t _{PFH}	PIXCLK to FV HIGH		–	–	4	ns
t _{PLH}	PIXCLK to LV HIGH		–	–	4	ns
t _{PFL}	PIXCLK to FV LOW		–	–	4	ns
t _{PLL}	PIXCLK to LV LOW		–	–	4	ns
C _{IN}	Input pin capacitance			7	–	pF

- PIXCLK output signal can be inverted internally by programming register.
- It is only necessary to meet this spec when the PLL is bypassed. If the PLL is being using then VIH/VIL should be met.



- Notes:
- PLL disabled.
 - FRAME_VALID leads LINE_VALID by 6 PIXCLKs.
 - FRAME_VALID trails LINE_VALID by 6 PIXCLKs.
 - Dout[7:0], FRAME_VALID, and LINE_VALID are shown with respect to the falling edge of PIXCLK. This feature is programmable and Dout[7:0], FRAME_VALID, and LINE_VALID can be synchronized to the rising edge of PIXCLK.
 - Propagation delay is measured from 50% of rising and falling edges.

Figure 30. Parallel Pixel Bus Timing Diagram

Table 18. MIPI TIMING MEASUREMENTS: CLOCK

Parameter	MIPI Spec 1.0	Min	Typical (Median)	Max	Units	Register	Set to
TCLK-POST	>(60ns+52UI) 355.45	603	603	605	ns	0x3C52[8–13]	9 (13)
TEOT	<(102+12UI) 10.18	89	90	90	ns	N/A	N/A
TCLK-TRAIL	>60	78	78	78	ns	0x3C54[8–11]	2
THS-EXIT	>100	5187	5189	5189	ns	0x3C50[8–13]	3
TLPX	>50	90	91	92	ns	0x3C56[0–5]	2
TCLK-PREPARE	38 – 95	61	63	65	ns	0x3C5A[2–3]	2
TCLK-ZERO	No Spec	442	445	446	ns	0x3C54[0–5]	7
TCLK-PREPARE & TCLK-ZERO	>300	508	508	509	ns	N/A	N/A
TCLK-PRE	>(8UI) 45.45	81	83	83	ns	0x3C52[0–5]	2

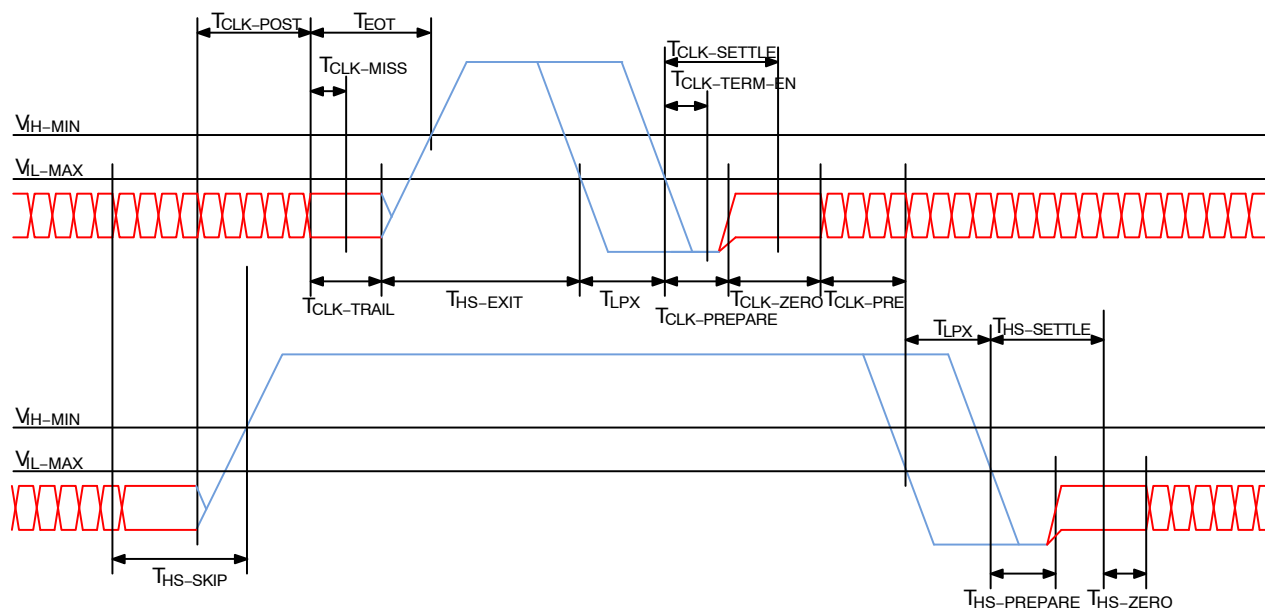


Figure 31. MIPI Clock Timing

Table 19. MIPI TIMING MEASUREMENTS: DATA

Parameter	MIPI Spec 1.0	Min	Typical (Median)	Max	Units	Register	Set to
TLPX	>50	92	93	93	ns	0x3C56[0-5]	2
THS-PREPARE	(40+4UI) to (85+6UI) 62.73 – 119.09	64	67	69	ns	0x3C5A[0-1]	2
THS-ZERO	No Spec	630	630	635	ns	0x3C4E[8-11]	5
THS-PREPARE & THS-ZERO	>(145+10UI) >201.82	697	700	703	ns	N/A	N/A
THS-TRAIL	>(60+4UI) & >(8UI) 82.73 – 45.45	165	165	167	ns	0x3C50[0-3]	3

Table 20. MIPI HIGH SPEED (HS)

Parameter	MIPI Spec 1.0	Min	Typical (Median)	Max	Units
VOD HS transmit differential voltage	140 – 270	203	209	219	mV
VCMTX HS transmit static common mode voltage	150 – 250	196	201	213	mV
ΔVOD HS VOD mismatch	≤ 10	2	5	7	mV
ΔVCMTX(1,0) VCMTX mismatch	≤ 5	0	1	1	mV
V _{OHS} HS Output HIGH Voltage	<360	300	308	322	mV
ZOS Single ended output impedance	40 – 62.5	43	45	46	Ω
ΔZOS Single ended output impedance mismatch	≤ 10%	0.66	1.75	3.6	%
t _R 20% – 80% rise time	150 ps to 0.3UI (1.7 ns)	322	364	408	ps
t _F 20% – 80% fall time	150 ps to 0.3UI (1.7 ns)	351	397	438	ps
Eye width			5.581		ns
UI Error		±0.2	0.0177		UI

Table 20. MIPI HIGH SPEED (HS) (continued)

Parameter	MIPI Spec 1.0	Min	Typical (Median)	Max	Units
Data to Clock Skew	± 0.15	0.006	0.004	0.001	UI
VOD HS transmit differential voltage	140 – 270	203	209	219	mV

Table 21. MIPI LOW POWER (LP)

Parameter	MIPI Spec 1.0	Min	Typical (Median)	Max	Units
VOL output low level	± 50	4.12	6.70	13.9	mV
VOH output high level	1.1 – 1.3	1.18	1.21	1.24	V
ZOLP Output impedance of LP	≥ 110	140	147	156	Ω
tRLP 15% – 85% Rise Time	≤ 25	142.8	15.27	15.86	ns
tFLP 15% – 85% Fall Time	≤ 25	13.79	14.35	16.15	ns
tRLP 15% – 85% Rise Time (Heavy load)	≤ 25	12.18	13.19	13.62	ns
tFLP 15% – 85% Fall Time (Heavy load)	≤ 25	11.95	12.61	13.45	ns
Slew rate, (CLOAD = 0pF)	≤ 500	N/A	N/A	N/A	mV/ns
Slew rate, (CLOAD = 5pF)	≤ 300	N/A	N/A	N/A	mV/ns
Slew rate, (CLOAD = 20pF)	≤ 250	62.1	91.81	151	mV/ns
Slew rate, (CLOAD = 70pF)	≤ 150	69.39	76.06	85.32	mV/ns
Slew rate, (CLOAD = 20pF) (Heavy Load)	≤ 250	94.9	117.2	179	mV/ns
Slew rate, (CLOAD = 70pF) (Heavy Load)	≤ 150	55	91.85	102.65	mV/ns

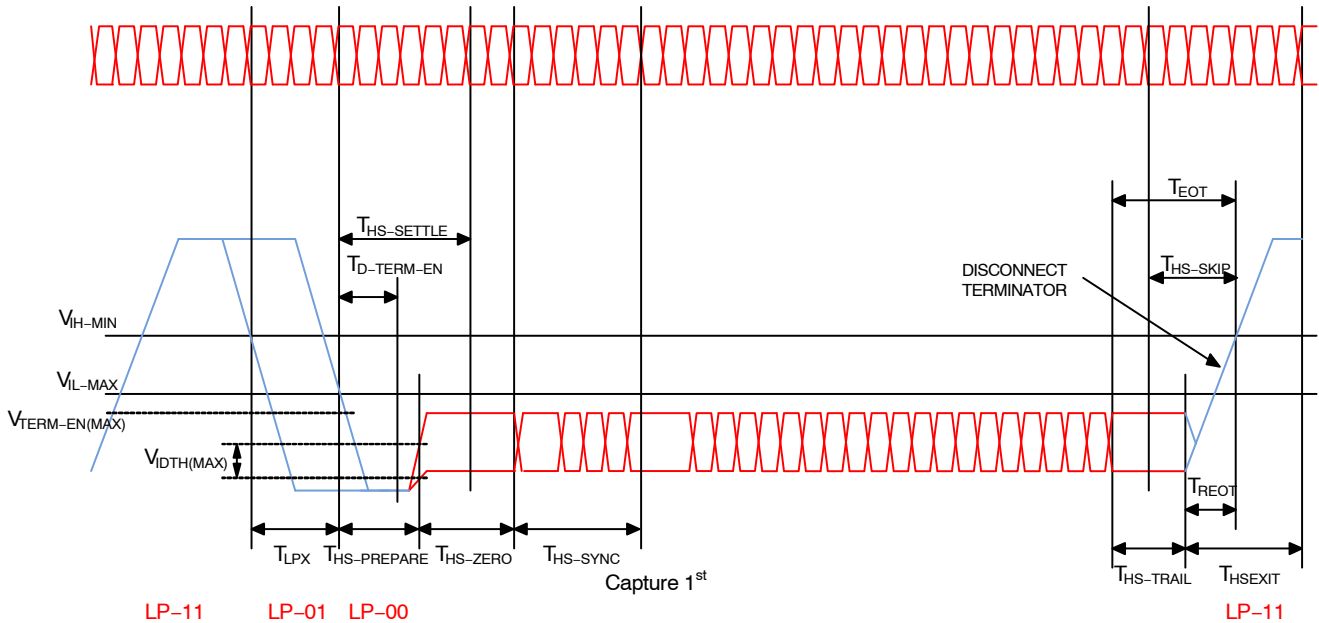


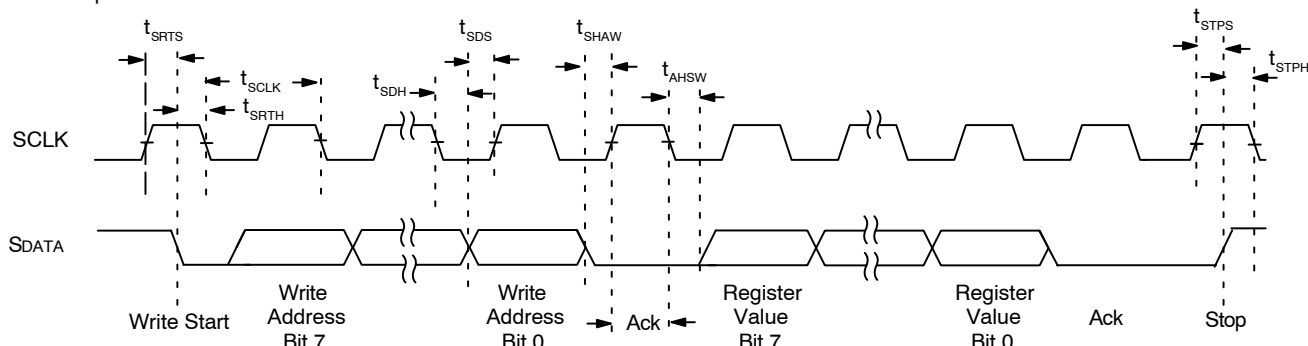
Figure 32. MIPI Data Timing

Table 22. TWO-WIRE SERIAL INTERFACE TIMING DATA

(fEXTCLK = 14 MHz; V_{DD} = 1.8 V; V_{DD_IO} = 1.8 V; V_{AA} = 2.8 V; V_{AA_PIX} = 2.8 V; V_{DD_PLL} = 2.8 V; T_J = 70°C; C_{LOAD} = 68.5 pF)

Symbol	Parameter	Conditions	Min	Typ	Max	Unit
f _{SCLK}	Serial interface input clock frequency		100		400	kHz
t _{SCLK}	Serial interface input clock period		2.5		10	μs
	SCLK duty cycle			50	55	%
t _{LOW}	SCLK LOW period		1			μs
t _{HIGH}	SCLK HIGH PERIOD		1			μs
t _r	SCLK/SDATA rise time				300	ns
t _{SRTS}	Start setup time	Master write to slave	600			ns
t _{SRTH}	Start hold time	Master write to slave	300			ns
t _{SDH}	SDATA hold	Master write to slave	300			ns
t _{SDS}	SDATA setup	Master write to slave	300			ns
t _{SHAW}	SDATA hold to ack	Master read from slave	300			ns
t _{AHSW}	Ack hold to SDATA	Master read from slave	300			ns
t _{STPS}	Stop setup time	Master write to slave	300			ns
t _{STPH}	Stop hold time	Master write to slave	600			ns
t _{SHAR}	SDATA hold to ack	Master write to slave	150			ns
t _{AHSR}	Ack hold to SDATA	Master write to slave	150			ns
t _{SDHR}	SDATA hold	Master read from slave	300		650	ns
t _{SDSR}	SDATA setup	Master read from slave	300			ns

Write Sequence



Read Sequence

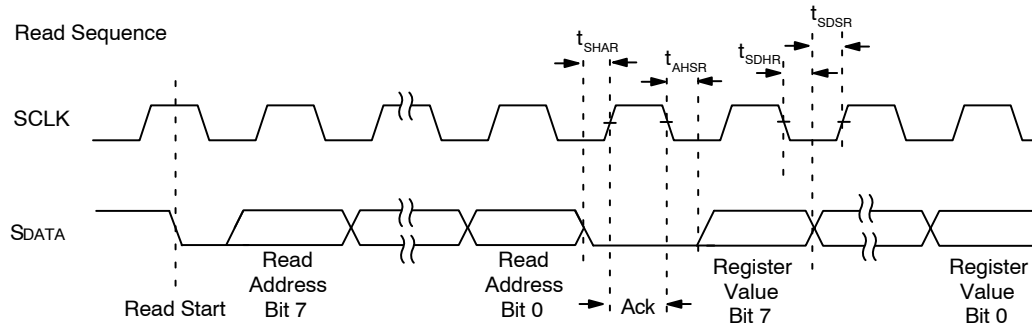


Figure 33. Two-Wire Serial Bus Timing Parameters

Power Sequence

Power-Up Sequence

Powering up the sensor requires the supply rails to be applied in a particular order to ensure sensor start up in a normal operation and prevent undesired condition such as

latch up from happening. Refer to Figure 34 and Table 23 for detailed timing requirement.

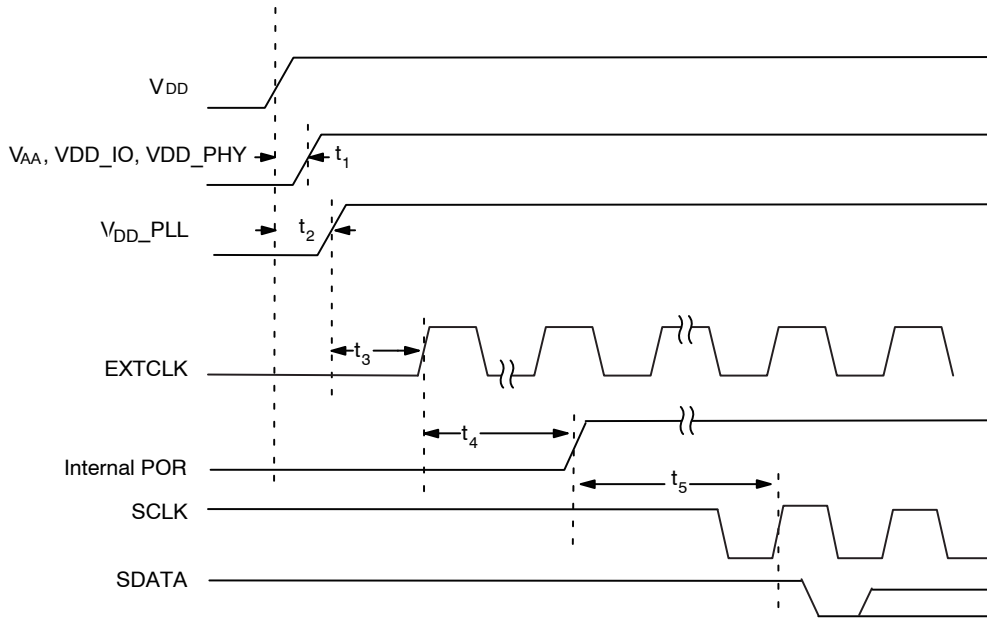


Figure 34. Power-Up Sequence

Table 23. POWER-UP SIGNAL TIMING

Symbol	Parameter	Min	Typ	Max	Unit
t1	Delay from VDD to VAA and VDD_IO and VDD_PHY	0	–	500	ms
t2	Delay from VDD to VDD_PLL	0	–	500	ms
t3	EXTCLK activation	0	500	–	ms
t4	Internal POR Duration	70	–	–	EXTCLKs
t5	First Serial Write	50	–	–	EXTCLKs

Power-Down Sequence

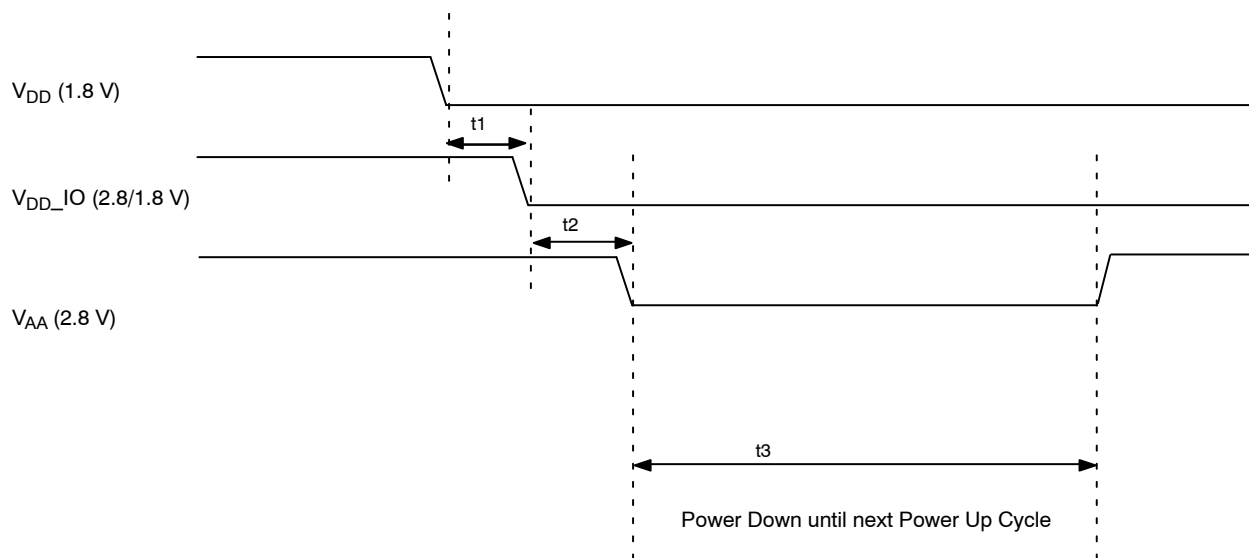


Figure 35. Power-Down Sequence

Table 24. POWER-UP SUPPLY RALL TIMING

Definition	Symbol	Minimum	Typical	Maximum	Unit
VDD to VDD_IO and VDD_PHY	t1	0	–	500	ms
VDD_IO and VDD_PHY to VAA	t2	0	–	500	ms
PwrDn until Next PwrUp Time (Note 1)	t3	100	–	–	ms

1. t3 is required between power down and next power up time, all decoupling caps from regulators must completely discharged before next power up.

Table 25. BALL MATRIX FOR PARALLEL MODE

	1	2	3	4	5
A	VPP	STANDBY	D0	GND_PLL	D3
B	AGND	PIXCLK	D1	D2	D5
C	VDD	VAA ¹	CLK	D4	VDD_IO
D	GND ²	LINE_VALID	D7	VDD_PHY	SDATA
E	FRAME_VALID	D6	SCLK	VDD	GND

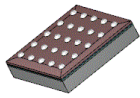
Table 26. BALL MATRIX FOR MIPI MODE

	1	2	3	4	5
A	VPP	STANDBY	D0	GND_PLL	D3
B	AGND	PIXCLK	D1	D2	D5
C	VDD	VAA ¹	CLK	D4	VDD_IO
D	GND ²	CLK_N	DATA_P	VDD_PHY	SDATA
E	CLK_P	DATA_N	SCLK	VDD	GND

2. VAA and VDD_PLL tied in the CSP.
3. GND_PLL and DGND tied in the CSP.

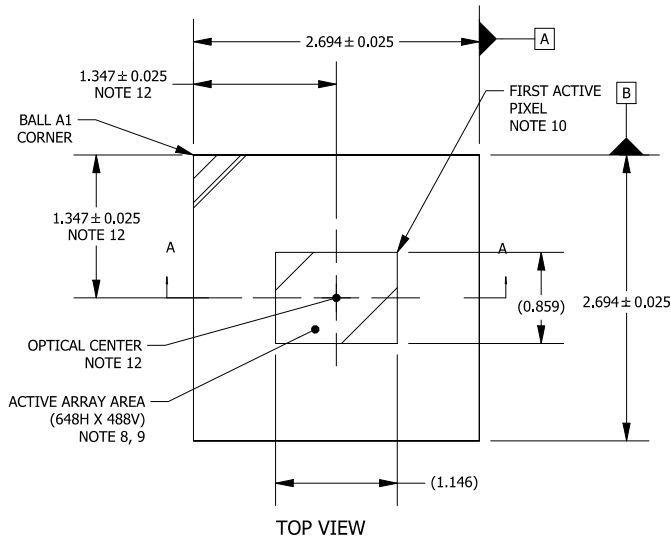
MECHANICAL CASE OUTLINE PACKAGE DIMENSIONS

ON Semiconductor®



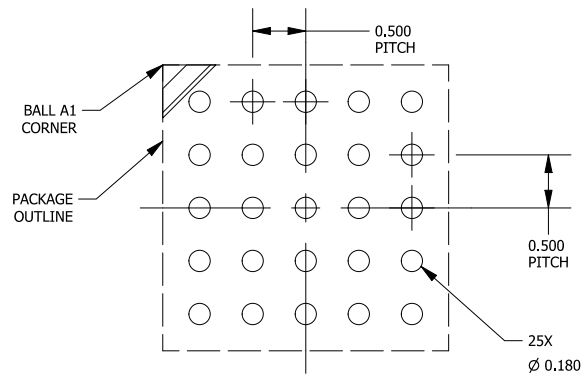
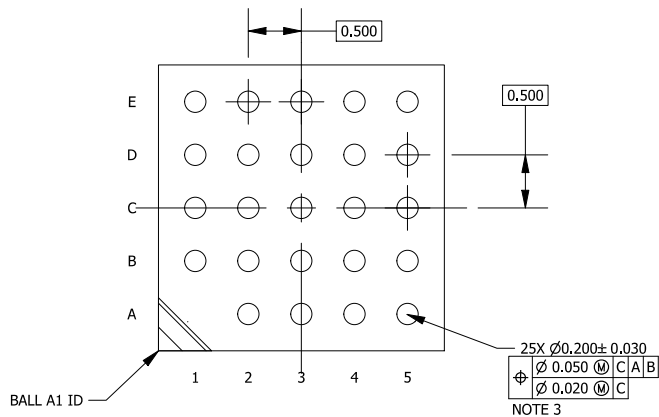
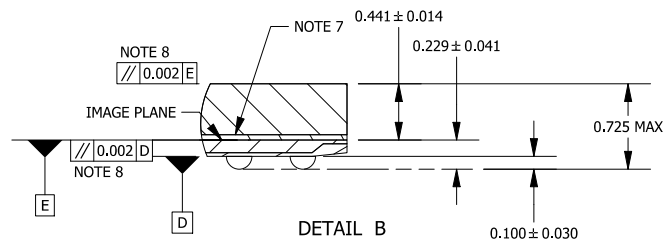
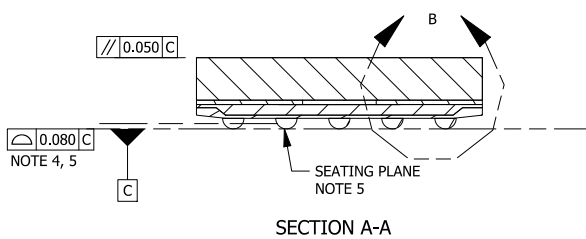
ODCSP25 2.694x2.694 CASE 570BK ISSUE C

DATE 06 APR 2021



NOTES:

1. DIMENSIONING AND TOLERANCING PER ASME Y14.5M, 1994.
2. CONTROLLING DIMENSION: MILLIMETERS [mm].
3. SOLDER BALL DIAMETER IS MEASURED AT THE MAXIMUM SOLDER BALL DIAMETER PARALLEL TO DATUM C.
4. COPLANARITY APPLIES TO THE SPHERICAL CROWNS OF THE SOLDER BALLS.
5. DATUM C, THE SEATING PLANE IS DEFINED BY THE SPHERICAL CROWNS OF THE SOLDER BALLS.
6. GLASS: 0.400 THICKNESS; REFRACTIVE INDEX = 1.52.
7. AIR GAP BETWEEN GLASS AND PIXEL ARRAY: 0.041 THICKNESS.
8. PARALLELISM APPLIES ONLY TO THE ACTIVE ARRAY.
9. MAXIMUM ROTATION OF ACTIVE ARRAY RELATIVE TO DATUMS A AND B IS $\pm 0.1^\circ$.
10. REFER TO THE DEVICE DATA SHEET FOR TOTAL PIXEL ARRAY DEFINITIONS.
11. PACKAGE CENTER (X, Y) = (0.000, 0.000).
12. OPTICAL CENTER RELATIVE TO PACKAGE CENTER (X, Y) = (0.000, 0.000).



RECOMMENDED MOUNTING FOOTPRINT*

*FOR ADDITIONAL INFORMATION ON OUR Pb-FREE STRATEGY AND SOLDERING DETAILS, PLEASE DOWNLOAD THE ON SEMICONDUCTOR SOLDERING AND MOUNTING TECHNIQUES REFERENCE MANUAL, SOLDERRM/D.

DOCUMENT NUMBER:	98AON94069F	Electronic versions are uncontrolled except when accessed directly from the Document Repository. Printed versions are uncontrolled except when stamped "CONTROLLED COPY" in red.
DESCRIPTION:	ODCSP25 2.694x2.694	PAGE 1 OF 1

ON Semiconductor and ON are trademarks of Semiconductor Components Industries, LLC dba ON Semiconductor or its subsidiaries in the United States and/or other countries. ON Semiconductor reserves the right to make changes without further notice to any products herein. ON Semiconductor makes no warranty, representation or guarantee regarding the suitability of its products for any particular purpose, nor does ON Semiconductor assume any liability arising out of the application or use of any product or circuit, and specifically disclaims any and all liability, including without limitation special, consequential or incidental damages. ON Semiconductor does not convey any license under its patent rights nor the rights of others.

onsemi, **Onsemi**, and other names, marks, and brands are registered and/or common law trademarks of Semiconductor Components Industries, LLC dba "**onsemi**" or its affiliates and/or subsidiaries in the United States and/or other countries. **onsemi** owns the rights to a number of patents, trademarks, copyrights, trade secrets, and other intellectual property. A listing of **onsemi**'s product/patent coverage may be accessed at www.onsemi.com/site/pdf/Patent-Marking.pdf. **onsemi** reserves the right to make changes at any time to any products or information herein, without notice. The information herein is provided "as-is" and **onsemi** makes no warranty, representation or guarantee regarding the accuracy of the information, product features, availability, functionality, or suitability of its products for any particular purpose, nor does **onsemi** assume any liability arising out of the application or use of any product or circuit, and specifically disclaims any and all liability, including without limitation special, consequential or incidental damages. Buyer is responsible for its products and applications using **onsemi** products, including compliance with all laws, regulations and safety requirements or standards, regardless of any support or applications information provided by **onsemi**. "Typical" parameters which may be provided in **onsemi** data sheets and/or specifications can and do vary in different applications and actual performance may vary over time. All operating parameters, including "Typicals" must be validated for each customer application by customer's technical experts. **onsemi** does not convey any license under any of its intellectual property rights nor the rights of others. **onsemi** products are not designed, intended, or authorized for use as a critical component in life support systems or any FDA Class 3 medical devices or medical devices with a same or similar classification in a foreign jurisdiction or any devices intended for implantation in the human body. Should Buyer purchase or use **onsemi** products for any such unintended or unauthorized application, Buyer shall indemnify and hold **onsemi** and its officers, employees, subsidiaries, affiliates, and distributors harmless against all claims, costs, damages, and expenses, and reasonable attorney fees arising out of, directly or indirectly, any claim of personal injury or death associated with such unintended or unauthorized use, even if such claim alleges that **onsemi** was negligent regarding the design or manufacture of the part. **onsemi** is an Equal Opportunity/Affirmative Action Employer. This literature is subject to all applicable copyright laws and is not for resale in any manner.

PUBLICATION ORDERING INFORMATION

LITERATURE FULFILLMENT:

Email Requests to: orderlit@onsemi.com

onsemi Website: www.onsemi.com

TECHNICAL SUPPORT

North American Technical Support:

Voice Mail: 1 800-282-9855 Toll Free USA/Canada

Phone: 011 421 33 790 2910

Europe, Middle East and Africa Technical Support:

Phone: 00421 33 790 2910

For additional information, please contact your local Sales Representative