

8-Pin Dual Channel Phototransistor Optocoupler

MCT9001

Description

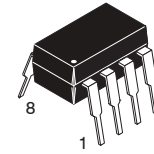
The general purpose optocoupler, MCT9001, has two isolated channels in a standard plastic 8-pin dual-in-line (DIP) package for density applications. Each channel consists of a gallium arsenide infrared emitting diode driving a NPN silicon planar phototransistor. For four channel applications, two packages fit into a standard 16-pin DIP socket.

Features

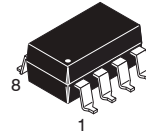
- Two Isolated Channels Per Package
- Safety and Regulatory Approvals:
 - ◆ UL1577, 4,170 VAC_{RMS} for 1 Minute
 - ◆ DIN-EN/IEC60747-5-5, 890 V Peak Working Insulation Voltage
- These are Pb-Free Devices

Applications

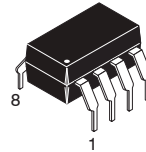
- AC Line/Digital Logic – Isolate High Voltage Transients
- Digital Logic/Digital Logic – Eliminate Spurious Ground
- Digital Logic/AC Triac Control – Isolate High Voltage Transients
- Twisted Pair Line Receiver – Eliminate Ground Loop Feedthrough
- Telephone/Telegraph Line Receiver – Isolate High Voltage Transients
- High Frequency Power Supply Feedback Control – Maintain Floating Grounds and Transients
- Relay Contact Monitor – Isolate Floating Grounds and Transients
- Power Supply Monitor – Isolate Transients



PDIP8 9.655x6.6, 2.54P
CASE 646CQ

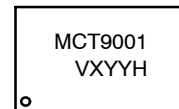


PDIP8 GW
CASE 709AF



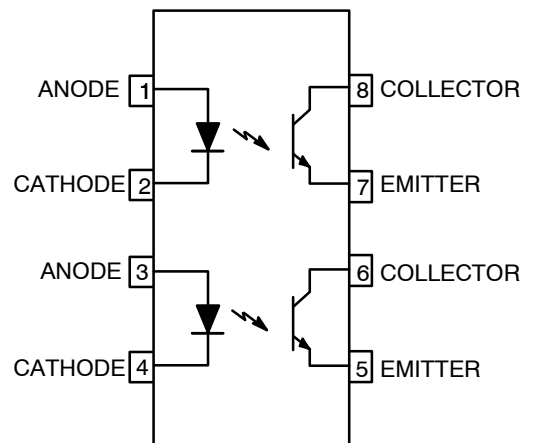
PDIP8 9.68x6.5, 2.54P
CASE 646CJ

MARKING DIAGRAM



MCT9001 = Device Code
 V = DIN EN/IEC60747-5-5 Option (only appears on component ordered with this option)
 X = One Digit Year Code
 YY = Digit Work Week
 H = Assembly Package Code

FUNCTIONAL SCHEMATIC



Equivalent Circuit

ORDERING INFORMATION

See detailed ordering and shipping information in the ordering information section on page 6 of this data sheet.
 NOTE: Some of the devices on this data sheet have been **DISCONTINUED**. Please refer to the table on page 6.

MCT9001

SAFETY AND INSULATION RATINGS (As per DIN EN/IEC 60747-5-5, this optocoupler is suitable for “safe electrical insulation” only within the safety limit data. Compliance with the safety ratings shall be ensured by means of protective circuits.)

Parameter		Characteristics
Installation Classifications per DIN VDE 0110/1.89 Table 1, For Rated Mains Voltage	< 150 V _{RMS}	I-IV
	< 300 V _{RMS}	I-IV
Climatic Classification		55/115/21
Pollution Degree (DIN VDE 0110/1.89)		2
Comparative Tracking Index		175

Symbol	Parameter	Value	Unit
V _{PR}	Input-to-Output Test Voltage, Method A, V _{IORM} × 1.6 = V _{PR} , Type and Sample Test with t _m = 10 s, Partial Discharge < 5 pC	1424	V _{peak}
	Input-to-Output Test Voltage, Method B, V _{IORM} × 1.875 = V _{PR} , 100% Production Test with t _m = 1 s, Partial Discharge < 5 pC	1668	V _{peak}
V _{IORM}	Maximum Working Insulation Voltage	890	V _{peak}
V _{IOTM}	Highest Allowable Over-Voltage	8000	V _{peak}
	External Creepage	≥ 7.0	mm
	External Clearance	≥ 7.0	mm
DTI	Distance Through Insulation (Insulation Thickness)	≥ 0.4	mm
T _S	Case Temperature (Note 1)	175	°C
I _{S,INPUT}	Input Current (Note 1)	60	mA
P _{S,OUTPUT}	Output Power (Note 1)	150	mW
R _{IO}	Insulation Resistance at T _S , V _{IO} = 500 V (Note 1)	> 10 ⁹	Ω

1. Safety limit value – maximum values allowed in the event of a failure.

ABSOLUTE MAXIMUM RATINGS (T_A = 25°C unless otherwise specified.)

Symbol	Parameter	Value	Unit
T _{STG}	Storage Temperature	-55 to +150	°C
T _{OPR}	Operating Temperature	-55 to +100	°C
T _J	Junction Temperature	-55 to +125	°C
T _{SOL}	Lead Solder Temperature	260 for 10 s	°C
P _D	Total Device Power Dissipation @T _A = 25°C	400	mW
	Derate Above 25°C	4.83	mW/°C

EMITTER (EACH CHANNEL)

I _F	DC / Average Forward Input Current	60	mA
I _F (pk)	Forward Current – Peak (PW = 1 μs, 300 pps)	3	A
V _R	Reverse Input Voltage	5.0	V
P _D (EMITTER)	Total Power Dissipation @T _A = 25°C	100	mW
	Derate Above 25°C	1.1	mW/°C

DETECTOR

I _C	Continuous Collector Current	30	mA
P _D (DETECTOR)	Total Power Dissipation @T _A = 25°C	150	mW
	Derate Above 25°C	1.67	mW/°C

Stresses exceeding those listed in the Maximum Ratings table may damage the device. If any of these limits are exceeded, device functionality should not be assumed, damage may occur and reliability may be affected.

MCT9001

ELECTRICAL CHARACTERISTICS (T_A = 25°C, unless otherwise noted)

Symbol	Parameter	Test Conditions	Min	Typ	Max	Unit
EMITTER						
V _F	Input Forward Voltage	I _F = 10 mA	–	1.0	1.3	V
I _R	Reverse Leakage Current	V _R = 5 V	–	–	10	μA
C _J	Junction Capacitance	V _F = 0 V, f = 1 MHz	–	50	–	pF

DETECTOR

BV _{CEO}	Collector-to-Emitter Breakdown Voltage	I _C = 0.5 mA, I _F = 0	55	–	–	V
BV _{ECO}	Emitter-to-Collector Breakdown Voltage	I _E = 100 μA, I _F = 0	7	–	–	V
I _{CEO}	Collector-Emitter Dark Current	V _{CE} = 24 V, I _F = 0	–	5	100	nA
		V _{CE} = 24 V, T _A = 85°C	–	–	50	μA
C _{CE}	Capacitance	V _{CE} = 0 V, f = 1.0 MHz	–	8	–	pF

Product parametric performance is indicated in the Electrical Characteristics for the listed test conditions, unless otherwise noted. Product performance may not be indicated by the Electrical Characteristics if operated under different conditions.

TRANSFER CHARACTERISTICS

Symbol	Parameter	Test Conditions	Min.	Typ.	Max.	Unit
DC CHARACTERISTICS						
CTR	Current Transfer Ratio, Collector-to-Emitter	I _F = 5 mA, V _{CE} = 5 V	50	–	600	%
CTR(SAT)		I _F = 8 mA, V _{CE} = 0.4 V	30	–	–	%
VCE(SAT)	Saturation Voltage, Collector-to-Emitter	I _F = 8 mA, I _C = 2.4 mA	–	–	0.4	V

AC CHARACTERISTICS

Non-Saturated

T _{ON}	Turn-On Time	R _L = 100 Ω, I _C = 2 mA, V _{CC} = 10 V	–	3.0	–	μs
T _{OFF}	Turn-Off Time		–	3.0	–	μs
T _R	Rise Time		–	2.4	–	μs
T _F	Fall Time		–	2.4	–	μs

Saturated

T _{ON}	Turn-On Time	I _F = 16 mA, R _L = 1.9 kΩ, V _{CE} = 5 V	–	2.4	–	μs
T _{OFF}	Turn-Off Time		–	25.0	–	μs

ISOLATION CHARACTERISTICS

Symbol	Parameter	Test Conditions	Min.	Typ.	Max.	Units
V _{ISO}	Input-Output Isolation Voltage	I _{I-O} ≤ 10 μA, t = 1 min	5,000	–	–	V _{ACRMS}
C _{ISO}	Isolation Capacitance	f = 1 MHz	–	0.5	–	pF
R _{ISO}	Isolation Resistance	V _{I-O} = 500 V _{DC}	10 ¹¹	–	–	Ω

TYPICAL PERFORMANCE CURVES

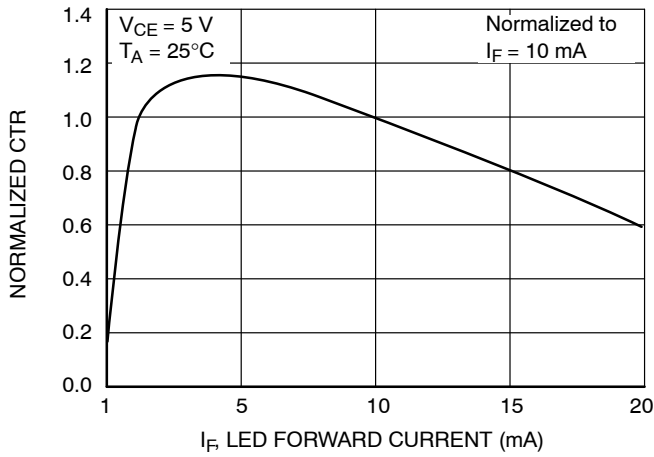


Figure 1. Normalized CTR vs. Forward Current

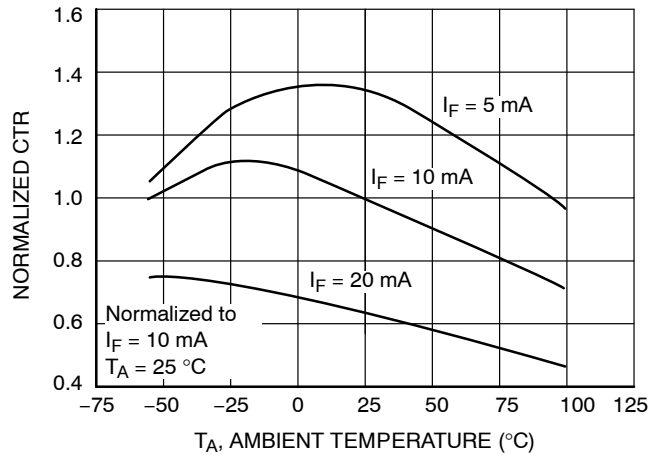


Figure 2. Normalized CTR vs. Ambient Temperature

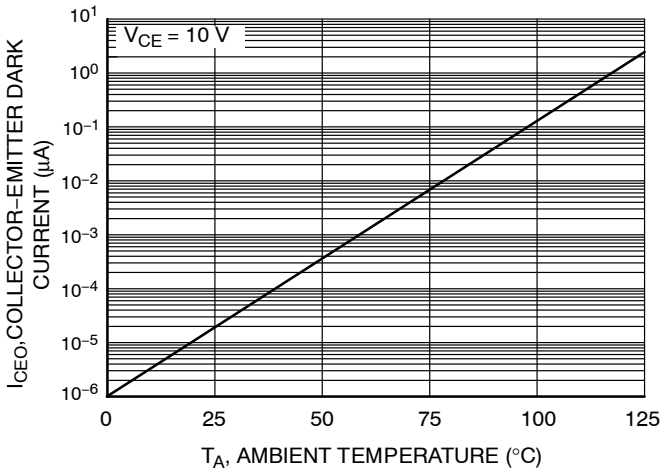


Figure 3. Dark Current vs. Ambient Temperature

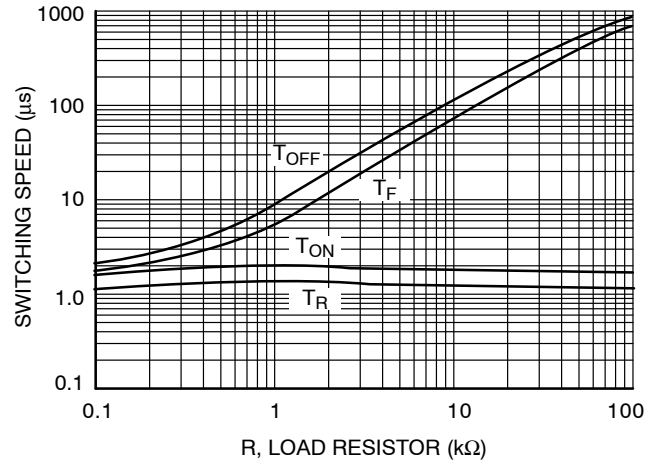


Figure 4. Switching Speed vs. Load Resistor

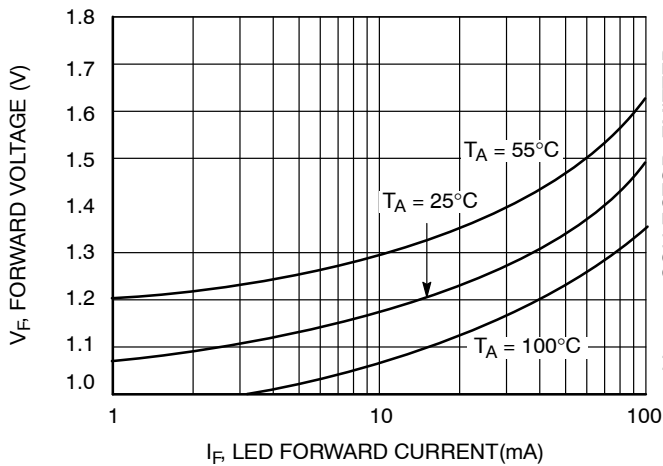


Figure 5. LED Forward Voltage vs. Forward Current

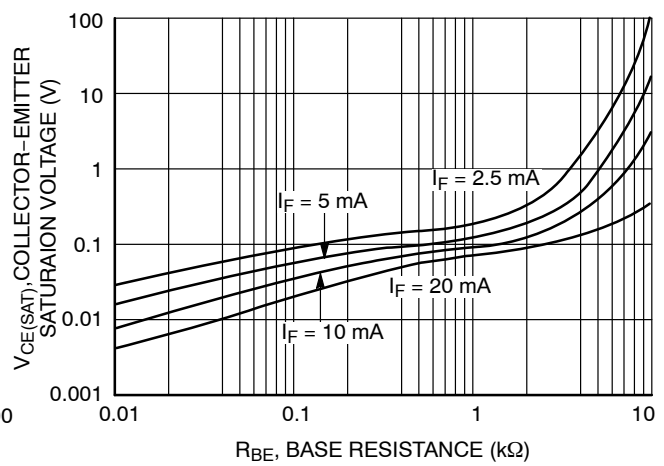


Figure 6. Collector-Emitter Saturation Voltage vs. Collector Current

MCT9001

SWITCHING TIME TEST CIRCUIT AND WAVEFORMS

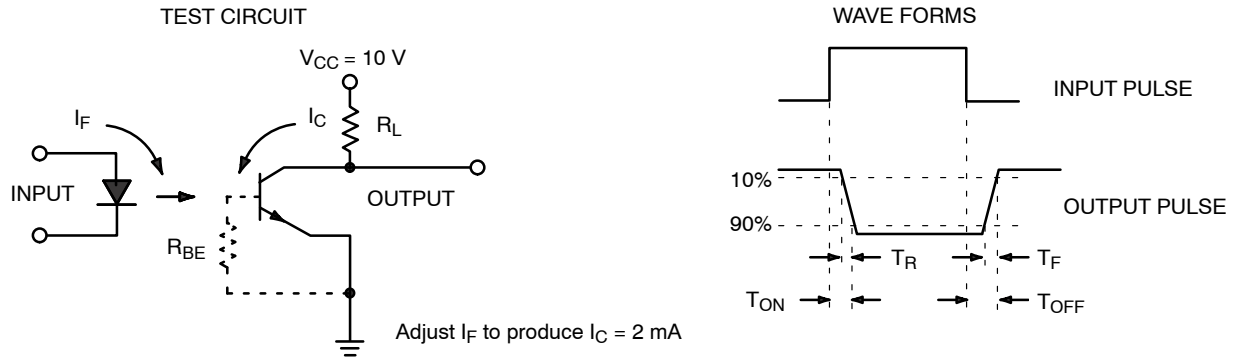


Figure 7. Switching Time Test Circuit and Waveforms

REFLOW PROFILE

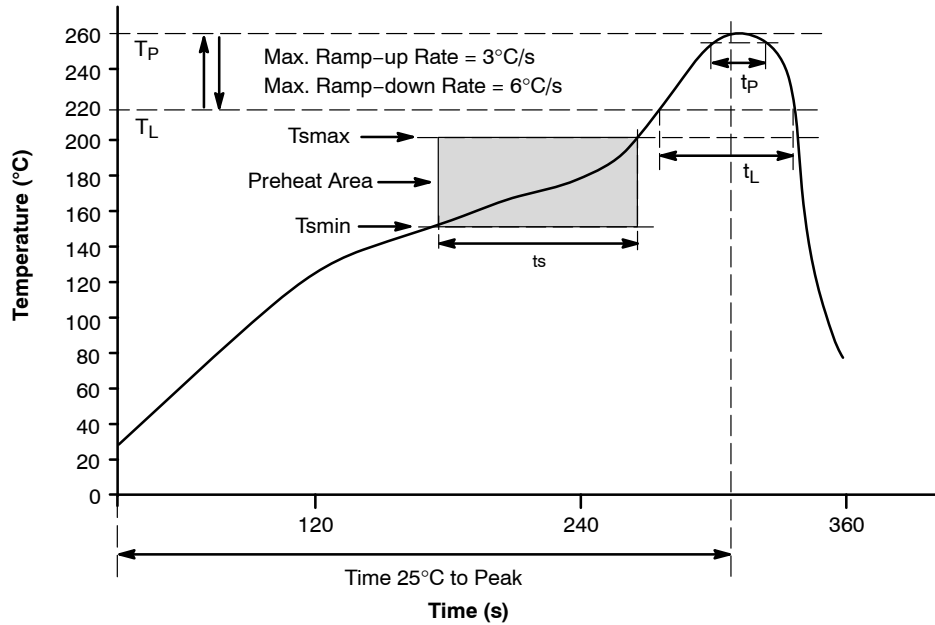


Figure 8. Reflow Profile

REFLOW PROFILE

Profile Feature	Pb-Free Assembly Profile
Temperature Min. (T_{smin})	150°C
Temperature Max. (T_{smax})	200°C
Time (t_s) from (T_{smin} to T_{smax})	60 - 120 s
Ramp-up Rate (t_L to t_p)	3°C/s max.
Liquidous Temperature (T_L)	217°C
Time (t_L) Maintained Above (T_L)	60 - 150 s
Peak Body Package Temperature	260°C +0°C / -5°C
Time (t_p) within 5°C of 260°C	30 s
Ramp-down Rate (T_P to T_L)	6°C / s max.
Time 25°C to Peak Temperature	8 min max.

MCT9001

ORDERING INFORMATION

Device	Description	Shipping [†]
MCT9001	DIP 8-Pin	1000 Units / Tube
MCT9001S	SMT 8-Pin (Lead Bend)	1000 Units / Bulk
MCT9001SD	SMT 8-Pin	1000 Units / Tape & Reel

DISCONTINUED (Note 2)

MCT9001300	DIN EN/IEC 60747-5-5 Option	50 Units / Tube
MCT90013S	SMT 8-Pin (Lead Bend); DIN EN/IEC 60747-5-5 Option	50 Units / Tube
MCT90013SD	SMT 8-Pin; DIN EN/IEC 60747-5-5 Option	1000 Units / Tape & Reel
MCT9001300W	0.4" Lead Spacing; DIN EN/IEC 60747-5-5 Option	50 Units / Tube

[†]For information on tape and reel specifications, including part orientation and tape sizes, please refer to our Tape and Reel Packaging Specifications Brochure, [BRD8011/D](#).

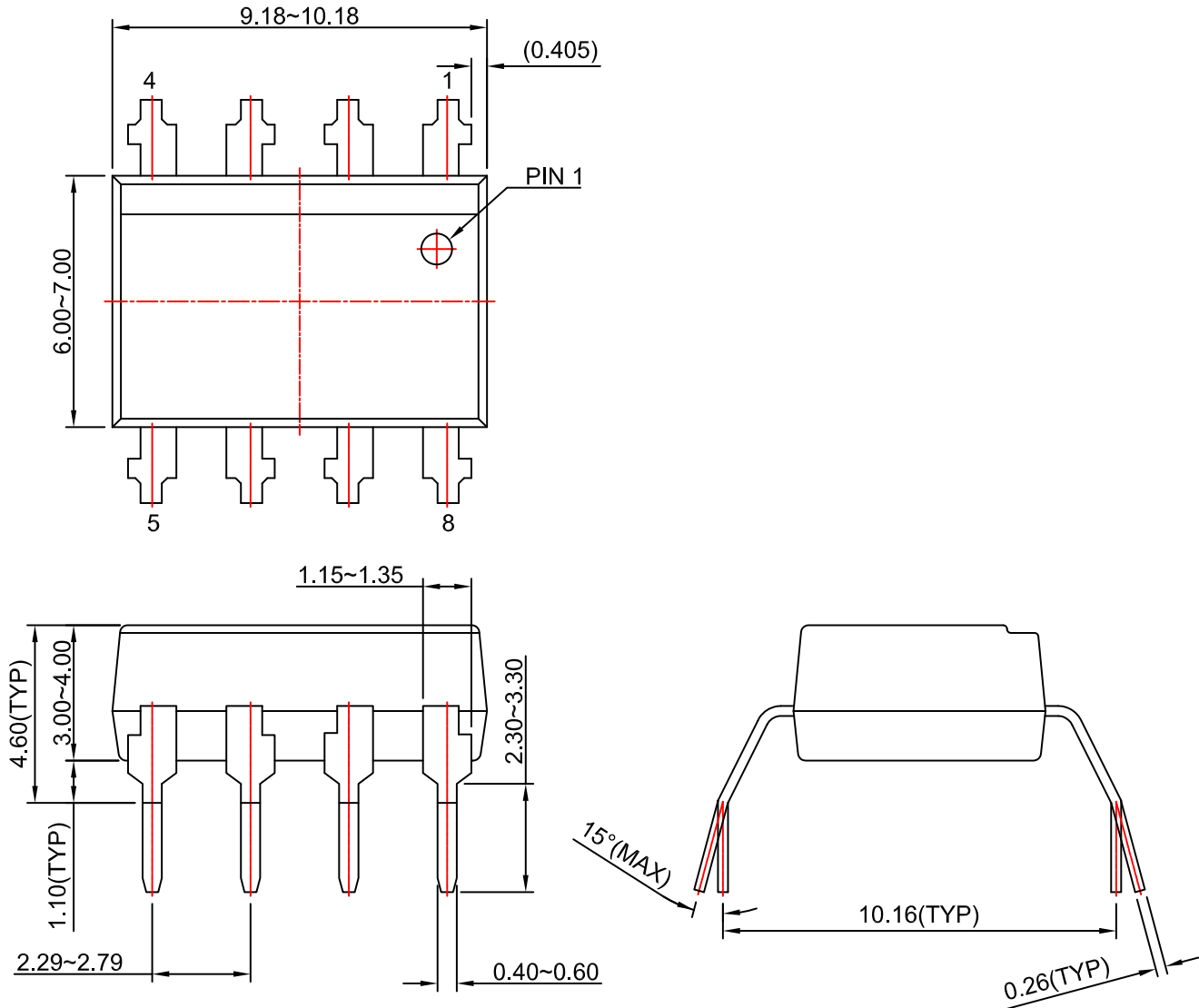
2. **DISCONTINUED:** This device is not recommended for new design. Please contact your **onsemi** representative for information. The most current information on this device may be available on www.onsemi.com.

MCT9001

PACKAGE DIMENSIONS

PDIP8 9.68x6.5, 2.54P
CASE 646CJ
ISSUE O

DATE 31 JUL 2016

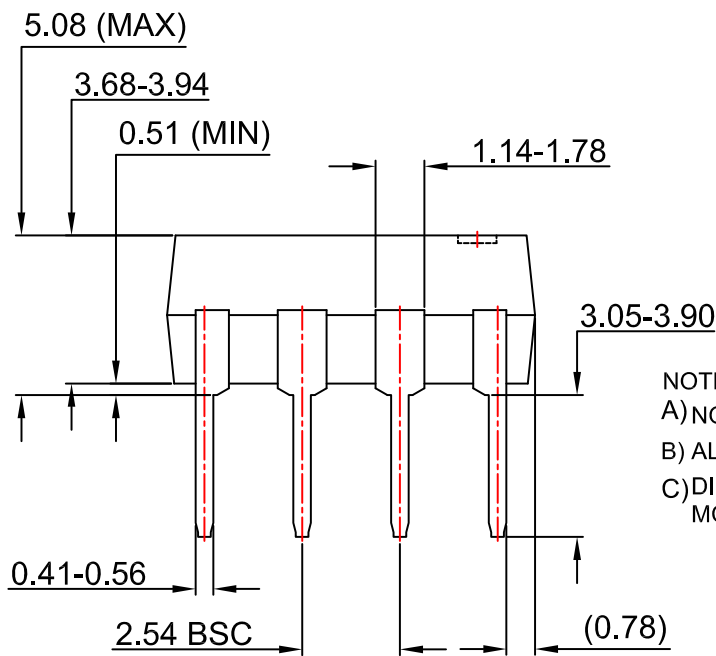
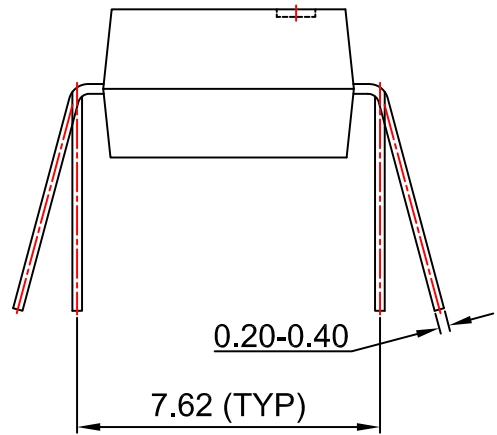
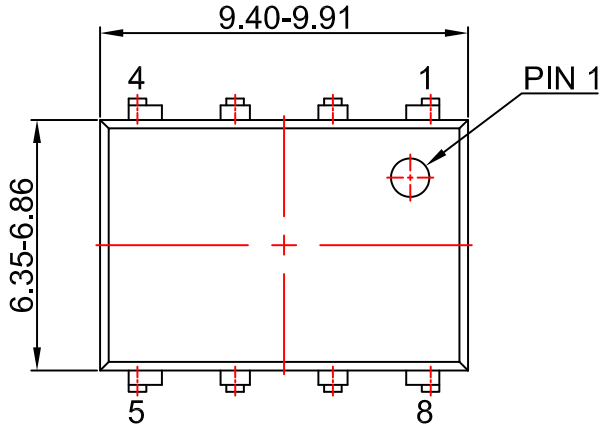


NOTES:

- A) NO STANDARD APPLIES TO THIS PACKAGE.
- B) ALL DIMENSIONS ARE IN MILLIMETERS.
- C) DIMENSIONS ARE EXCLUSIVE OF BURRS, MOLD FLASH, AND TIE BAR EXTRUSION

PDIP8 9.655x6.6, 2.54P
CASE 646CQ
ISSUE O

DATE 18 SEP 2017



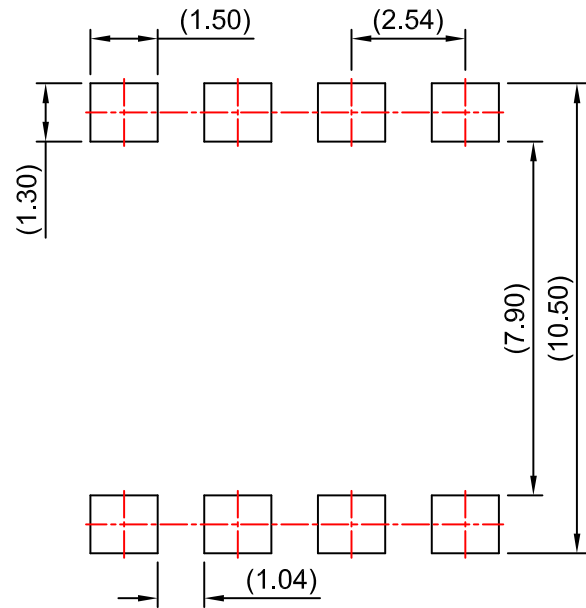
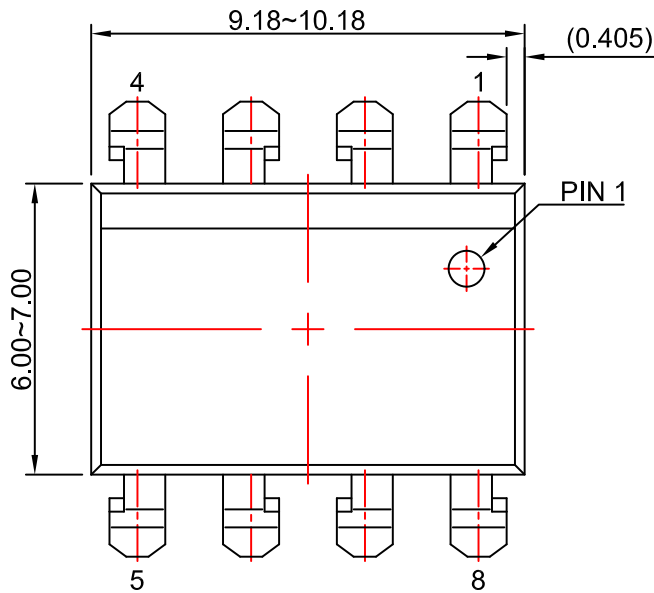
NOTES:
A) NO STANDARD APPLIES TO THIS PACKAGE
B) ALL DIMENSIONS ARE IN MILLIMETERS.
C) DIMENSIONS ARE EXCLUSIVE OF BURRS, MOLD FLASH, AND TIE BAR EXTRUSION

DOCUMENT NUMBER:	98AON13446G	Electronic versions are uncontrolled except when accessed directly from the Document Repository. Printed versions are uncontrolled except when stamped "CONTROLLED COPY" in red.
DESCRIPTION:	PDIP8 9.655X6.6, 2.54P	PAGE 1 OF 1

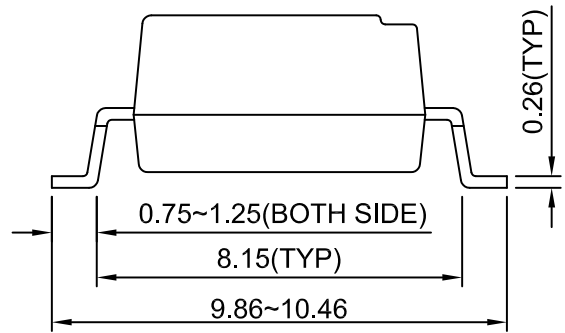
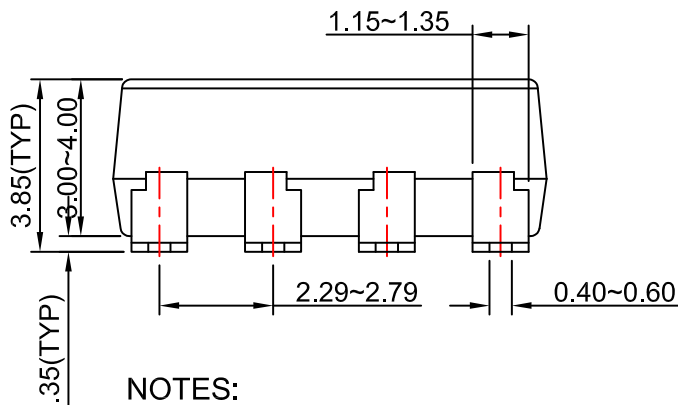
onsemi and ONSEMI are trademarks of Semiconductor Components Industries, LLC dba onsemi or its subsidiaries in the United States and/or other countries. onsemi reserves the right to make changes without further notice to any products herein. onsemi makes no warranty, representation or guarantee regarding the suitability of its products for any particular purpose, nor does onsemi assume any liability arising out of the application or use of any product or circuit, and specifically disclaims any and all liability, including without limitation special, consequential or incidental damages. onsemi does not convey any license under its patent rights nor the rights of others.

PDIP8 GW
CASE 709AF
ISSUE O

DATE 31 AUG 2016



LAND PATTERN RECOMMENDATION



NOTES:

- A) NO STANDARD APPLIES TO THIS PACKAGE.
- B) ALL DIMENSIONS ARE IN MILLIMETERS.
- C) DIMENSIONS ARE EXCLUSIVE OF BURRS, MOLD FLASH, AND TIE BAR EXTRUSION

DOCUMENT NUMBER:	98AON13458G	Electronic versions are uncontrolled except when accessed directly from the Document Repository. Printed versions are uncontrolled except when stamped "CONTROLLED COPY" in red.
DESCRIPTION:	PDIP8 GW	PAGE 1 OF 1

onsemi and ONSEMI are trademarks of Semiconductor Components Industries, LLC dba onsemi or its subsidiaries in the United States and/or other countries. onsemi reserves the right to make changes without further notice to any products herein. onsemi makes no warranty, representation or guarantee regarding the suitability of its products for any particular purpose, nor does onsemi assume any liability arising out of the application or use of any product or circuit, and specifically disclaims any and all liability, including without limitation special, consequential or incidental damages. onsemi does not convey any license under its patent rights nor the rights of others.

onsemi, **Onsemi**, and other names, marks, and brands are registered and/or common law trademarks of Semiconductor Components Industries, LLC dba "**onsemi**" or its affiliates and/or subsidiaries in the United States and/or other countries. **onsemi** owns the rights to a number of patents, trademarks, copyrights, trade secrets, and other intellectual property. A listing of **onsemi**'s product/patent coverage may be accessed at www.onsemi.com/site/pdf/Patent-Marking.pdf. **onsemi** reserves the right to make changes at any time to any products or information herein, without notice. The information herein is provided "as-is" and **onsemi** makes no warranty, representation or guarantee regarding the accuracy of the information, product features, availability, functionality, or suitability of its products for any particular purpose, nor does **onsemi** assume any liability arising out of the application or use of any product or circuit, and specifically disclaims any and all liability, including without limitation special, consequential or incidental damages. Buyer is responsible for its products and applications using **onsemi** products, including compliance with all laws, regulations and safety requirements or standards, regardless of any support or applications information provided by **onsemi**. "Typical" parameters which may be provided in **onsemi** data sheets and/or specifications can and do vary in different applications and actual performance may vary over time. All operating parameters, including "Typicals" must be validated for each customer application by customer's technical experts. **onsemi** does not convey any license under any of its intellectual property rights nor the rights of others. **onsemi** products are not designed, intended, or authorized for use as a critical component in life support systems or any FDA Class 3 medical devices or medical devices with a same or similar classification in a foreign jurisdiction or any devices intended for implantation in the human body. Should Buyer purchase or use **onsemi** products for any such unintended or unauthorized application, Buyer shall indemnify and hold **onsemi** and its officers, employees, subsidiaries, affiliates, and distributors harmless against all claims, costs, damages, and expenses, and reasonable attorney fees arising out of, directly or indirectly, any claim of personal injury or death associated with such unintended or unauthorized use, even if such claim alleges that **onsemi** was negligent regarding the design or manufacture of the part. **onsemi** is an Equal Opportunity/Affirmative Action Employer. This literature is subject to all applicable copyright laws and is not for resale in any manner.

ADDITIONAL INFORMATION

TECHNICAL PUBLICATIONS:

Technical Library: www.onsemi.com/design/resources/technical-documentation
onsemi Website: www.onsemi.com

ONLINE SUPPORT: www.onsemi.com/support

For additional information, please contact your local Sales Representative at www.onsemi.com/support/sales