

ON Semiconductor

Is Now

onsemi™

To learn more about onsemi™, please visit our website at
www.onsemi.com

onsemi and **onsemi** and other names, marks, and brands are registered and/or common law trademarks of Semiconductor Components Industries, LLC dba "**onsemi**" or its affiliates and/or subsidiaries in the United States and/or other countries. **onsemi** owns the rights to a number of patents, trademarks, copyrights, trade secrets, and other intellectual property. A listing of **onsemi** product/patent coverage may be accessed at www.onsemi.com/site/pdf/Patent-Marking.pdf. **onsemi** reserves the right to make changes at any time to any products or information herein, without notice. The information herein is provided "as-is" and **onsemi** makes no warranty, representation or guarantee regarding the accuracy of the information, product features, availability, functionality, or suitability of its products for any particular purpose, nor does **onsemi** assume any liability arising out of the application or use of any product or circuit, and specifically disclaims any and all liability, including without limitation special, consequential or incidental damages. Buyer is responsible for its products and applications using **onsemi** products, including compliance with all laws, regulations and safety requirements or standards, regardless of any support or applications information provided by **onsemi**. "Typical" parameters which may be provided in **onsemi** data sheets and/or specifications can and do vary in different applications and actual performance may vary over time. All operating parameters, including "Typicals" must be validated for each customer application by customer's technical experts. **onsemi** does not convey any license under any of its intellectual property rights nor the rights of others. **onsemi** products are not designed, intended, or authorized for use as a critical component in life support systems or any FDA Class 3 medical devices or medical devices with a same or similar classification in a foreign jurisdiction or any devices intended for implantation in the human body. Should Buyer purchase or use **onsemi** products for any such unintended or unauthorized application, Buyer shall indemnify and hold **onsemi** and its officers, employees, subsidiaries, affiliates, and distributors harmless against all claims, costs, damages, and expenses, and reasonable attorney fees arising out of, directly or indirectly, any claim of personal injury or death associated with such unintended or unauthorized use, even if such claim alleges that **onsemi** was negligent regarding the design or manufacture of the part. **onsemi** is an Equal Opportunity/Affirmative Action Employer. This literature is subject to all applicable copyright laws and is not for resale in any manner. Other names and brands may be claimed as the property of others.

LC75344MD

Two-Channel Electronic Volume Control System



ON Semiconductor®

www.onsemi.com

Overview

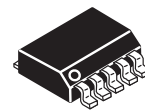
The LC75344MD is a two-channel electronic volume control IC that is controlled by data input over a serial interface.

Functions

- Volume control: 0 dB to -50 dB in 1 dB steps, -52 dB to -78 dB in 2 dB steps, and $-\infty$, for a total of 66 positions.
A balance function can be implemented by controlling the left and right channels independently.

Features

- Built-in buffer amplifiers minimize the number of external components required.
- Fabricated in a silicon gate CMOS process to minimize the switching noise generated by internal switches.
- Built-in reference voltage generation circuit for the analog ground level.
- All settings are controlled by data input over a serial interface that conforms to the CCB* specifications.



SOIC-10 NB

Specifications

Absolute Maximum Ratings at $T_a = 25^\circ\text{C}$, $V_{SS} = 0\text{ V}$

Parameter	Symbol	Conditions	Ratings	unit
Maximum supply voltage	$V_{DD\text{ max}}$	V_{DD}	11	V
Input voltage	$V_{IN\text{ max}}$	CE, CL, DI	-0.3 to +11.0	V
		LIN, RIN	$V_{SS} - 0.3$ to $V_{DD} + 0.3$	
Output voltage	V_{OUT1}	OSC	-0.3 to $V_{DD} + 0.3$	V
	V_{OUT2}	S1 to S87, COM1 to COM4, P1 to P8	-0.3 to $V_{LCD} + 0.3$	
Allowable power dissipation	$P_{d\text{ max}}$	$T_a \leq 75^\circ\text{C}$ *1: When mounted on a PCB.	300	mW
Operating temperature	T_{opr}		-30 to +75	$^\circ\text{C}$
Storage temperature	T_{stg}		-40 to +125	$^\circ\text{C}$

*1: Printed Circuit Board size : 76.1 x 114.3 x 1.6 tmm : Glass Epoxy Board

Stresses exceeding those listed in the Maximum Ratings table may damage the device. If any of these limits are exceeded, device functionality should not be assumed, damage may occur and reliability may be affected.

* Computer Control Bus (CCB) is an ON Semiconductor's original bus format and the bus addresses are controlled by ON Semiconductor.

ORDERING INFORMATION

See detailed ordering and shipping information on page 13 of this data sheet.

LC75344MD

Allowable Operating Ranges at $T_a = -30$ to $+75^\circ\text{C}$, $V_{SS} = 0\text{V}$

Parameter	Symbol	Pin Name	Conditions	Ratings			Unit
				min	typ	max	
Supply voltage	V_{DD}	V_{DD}		4.5		10	V
High-level input voltage	V_{IH}	CL, DI, CE		2.0		10	V
Low-level input voltage	V_{IL}	CL, DI, CE	$7.5 \leq V_{DD} \leq 10$	V_{SS}		0.8	V
		CL, DI, CE	$4.5 \leq V_{DD} \leq 7.5$	V_{SS}		0.3	V
Input voltage amplitude	V_{IN}	LIN, RIN		V_{SS}		V_{DD}	Vp-p
Input pulse width	t_{PW}	CL		1			μs
Setup time	t_{setup}	CL, DI, CE		1			μs
Hold time	t_{hold}	CL, DI, CE		1			μs
Operating frequency	fopg	CL				500	kHz

Functional operation above the stresses listed in the Recommended Operating Ranges is not implied. Extended exposure to stresses beyond the Recommended Operating Ranges limits may affect device reliability.

Electrical Characteristics at $T_a = 25^\circ\text{C}$, $V_{DD} = 9\text{V}$, $V_{SS} = 0\text{V}$

Parameter	Symbol	Pin Name	Conditions	Ratings			Unit
				min	typ	max	
Input resistance	R_{in}	LIN, RIN			50		k Ω

Overall Characteristics

Parameter	Symbol	Conditions	Ratings			Unit
			min	typ	max	
Total harmonic distortion	THD	$V_{IN} = 1\text{ V}_{\text{rms}}$, $f = 1\text{ kHz}$ With all settings flat overall		0.002	0.01	%
		$V_{IN} = 1\text{ V}_{\text{rms}}$, $f = 20\text{ kHz}$ With all settings flat overall		0.003		%
Crosstalk	CT	$V_{IN} = 1\text{ V}_{\text{rms}}$, $f = 1\text{ kHz}$, $R_g = 1\text{ k}\Omega$ With all settings flat overall	90			dB
Output noise voltage	V_N	80 kHz L.P.F., $R_g = 1\text{ k}\Omega$ With all settings flat overall		6.0		μV
Maximum attenuation	V_{omin}	$V_{IN} = 1\text{ V}_{\text{rms}}$, $f = 1\text{ kHz}$ With all settings flat overall		-92		dB
Current drain	I_{DD}	$V_{DD} - V_{SS} = +9\text{ V}$		12		mA
High-level input current	I_{IH}	CL, DI, CE: $V_{IN} = 10\text{ V}$, $V_{DD} = 10\text{ V}$			10	μA
Low-level input current	I_{IL}	CL, DI, CE: $V_{IN} = 0\text{ V}$, $V_{DD} = 10\text{ V}$	-10			μA

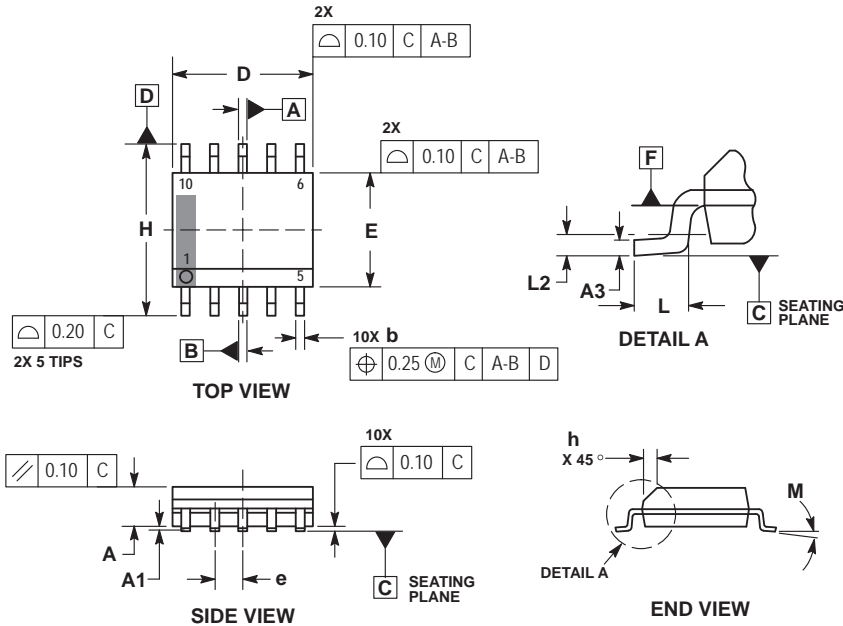
Product parametric performance is indicated in the Electrical Characteristics for the listed test conditions, unless otherwise noted. Product performance may not be indicated by the Electrical Characteristics if operated under different conditions.

LC75344MD

Package Dimensions

unit : mm

SOIC-10 NB
CASE 751BQ
ISSUE B

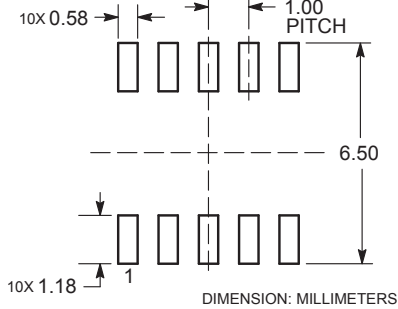


NOTES:

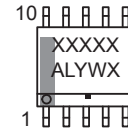
1. DIMENSIONING AND TOLERANCING PER ASME Y14.5M, 1994.
2. CONTROLLING DIMENSION: MILLIMETERS.
3. DIMENSION b DOES NOT INCLUDE DAMBAR PROTRUSION. ALLOWABLE PROTRUSION SHALL BE 0.10mm TOTAL IN EXCESS OF 'b' AT MAXIMUM MATERIAL CONDITION.
4. DIMENSIONS D AND E DO NOT INCLUDE MOLD FLASH, PROTRUSIONS, OR GATE BURRS. MOLD FLASH, PROTRUSIONS, OR GATE BURRS SHALL NOT EXCEED 0.15mm PER SIDE. DIMENSIONS D AND E ARE DETERMINED AT DATUM F.
5. DIMENSIONS A AND B ARE TO BE DETERMINED AT DATUM F.
6. A1 IS DEFINED AS THE VERTICAL DISTANCE FROM THE SEATING PLANE TO THE LOWEST POINT ON THE PACKAGE BODY.

MILLIMETERS		
DIM	MIN	MAX
A	1.25	1.75
A1	0.10	0.25
A3	0.17	0.25
b	0.31	0.51
D	4.80	5.00
E	3.80	4.00
e	1.00 BSC	
H	5.80	6.20
h	0.37 REF	
L	0.40	0.80
L2	0.25 BSC	
M	0°	8°

RECOMMENDED SOLDERING FOOTPRINT*



GENERIC MARKING DIAGRAM*



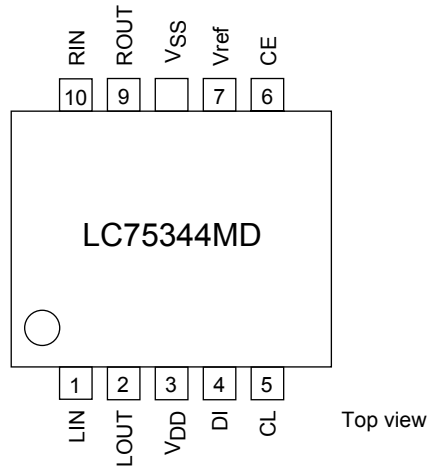
- XXXXX = Specific Device Code
- A = Assembly Location
- L = Wafer Lot
- Y = Year
- W = Work Week
- = Pb-Free Package

*This information is generic. Please refer to device data sheet for actual part marking. Pb-Free indicator, "G", may or not be present.

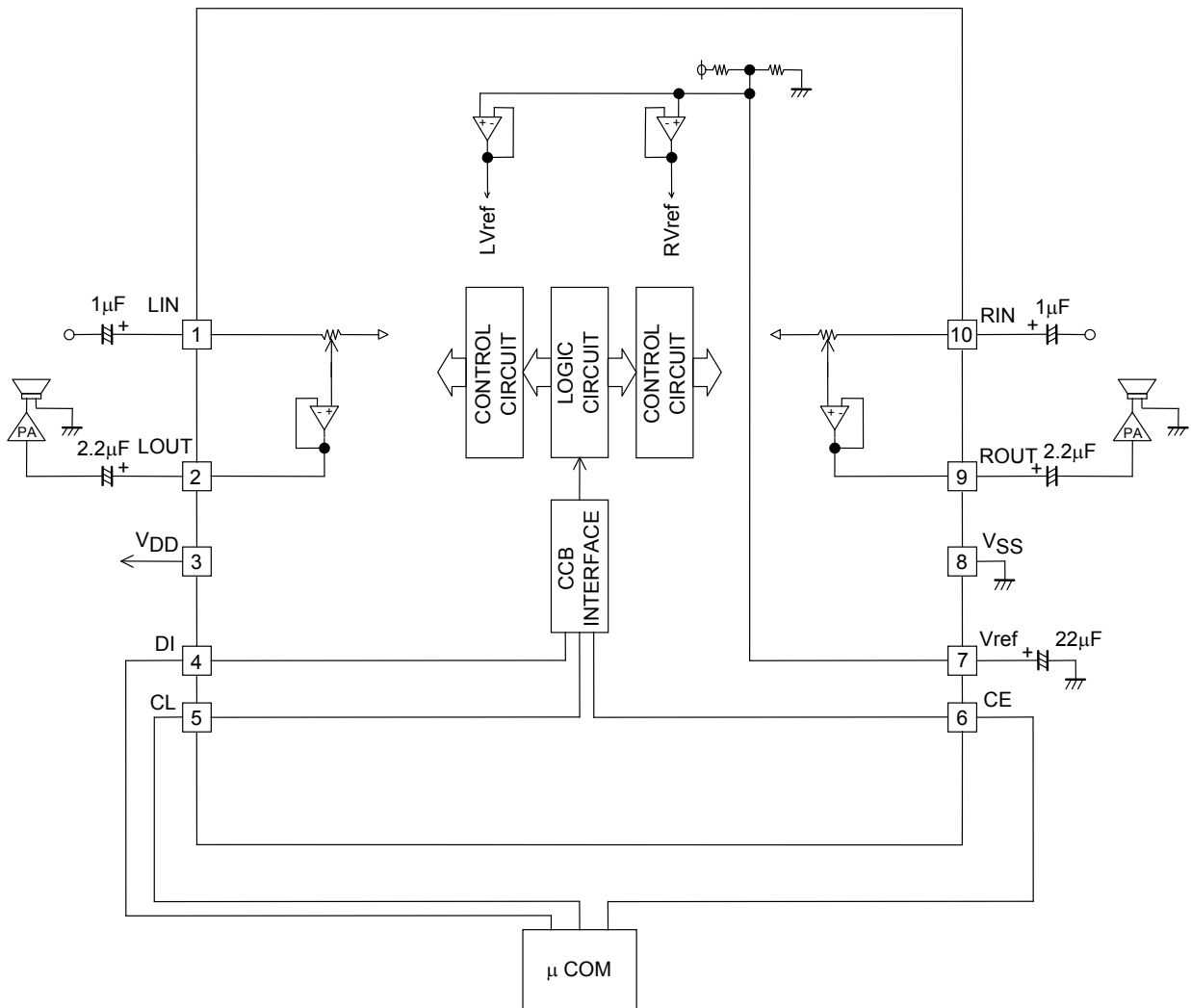
*For additional information on our Pb-Free strategy and soldering details, please download the ON Semiconductor Soldering and Mounting Techniques Reference Manual, SOLDERRM/D.

LC75344MD

Pin Arrangement



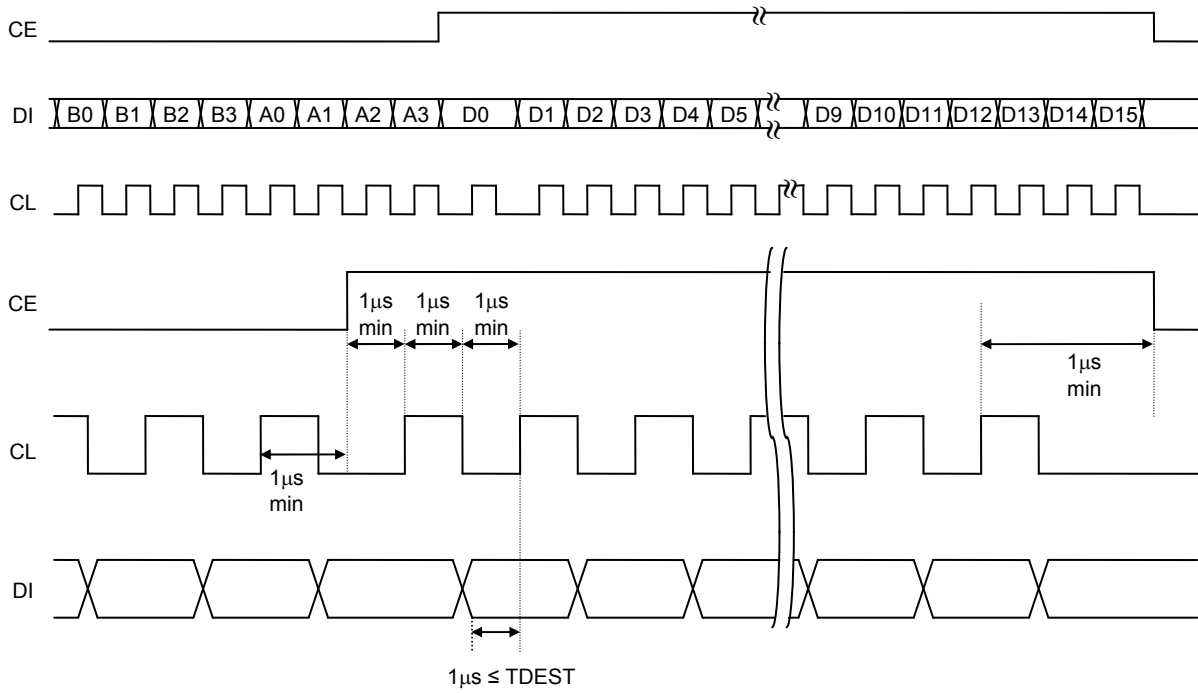
Equivalent Circuit



LC75344MD

Control System Timing and Data Format

The LC75344MD is controlled by inputting the stipulated data serially to the CL, DI, and CE pins. The data consists of a total of 24 bits, of which 8 bits are the address and 16 bits are the data.



- Address Code (B0 to A3)

The data has an 8-bit address field, and conforms to the CCB serial bus specifications.

Address code (LSB)	B0	B1	B2	B3	A0	A1	A2	A3	(88HEX)
	0	0	0	1	0	0	0	1	

LC75344MD

• Control Code Allocations

Volume control

D0	D1	D2	D3	D4	D5	D6	D7	Operation
0	0	0	0	0	0	0	0	0dB
1	0	0	0	0	0	0	0	-1dB
0	1	0	0	0	0	0	0	-2dB
1	1	0	0	0	0	0	0	-3dB
0	0	1	0	0	0	0	0	-4dB
1	0	1	0	0	0	0	0	-5dB
0	1	1	0	0	0	0	0	-6dB
1	1	1	0	0	0	0	0	-7dB
0	0	0	1	0	0	0	0	-8dB
1	0	0	1	0	0	0	0	-9dB
0	1	0	1	0	0	0	0	-10dB
1	1	0	1	0	0	0	0	-11dB
0	0	1	1	0	0	0	0	-12dB
1	0	1	1	0	0	0	0	-13dB
0	1	1	1	0	0	0	0	-14dB
1	1	1	1	0	0	0	0	-15dB
0	0	0	0	1	0	0	0	-16dB
1	0	0	0	1	0	0	0	-17dB
0	1	0	0	1	0	0	0	-18dB
1	1	0	0	1	0	0	0	-19dB
0	0	1	0	1	0	0	0	-20dB
1	0	1	0	1	0	0	0	-21dB
0	1	1	0	1	0	0	0	-22dB
1	1	1	0	1	0	0	0	-23dB
0	0	0	1	1	0	0	0	-24dB
1	0	0	1	1	0	0	0	-25dB
0	1	0	1	1	0	0	0	-26dB
1	1	0	1	1	0	0	0	-27dB
0	0	1	1	1	0	0	0	-28dB
1	0	1	1	1	0	0	0	-29dB
0	1	1	1	1	0	0	0	-30dB
1	1	1	1	1	0	0	0	-31dB
0	0	0	0	0	1	0	0	-32dB
1	0	0	0	0	1	0	0	-33dB
0	1	0	0	0	1	0	0	-34dB
1	1	0	0	0	1	0	0	-35dB
0	0	1	0	0	1	0	0	-36dB
1	0	1	0	0	1	0	0	-37dB
0	1	1	0	0	1	0	0	-38dB
1	1	1	0	0	1	0	0	-39dB
0	0	0	1	0	1	0	0	-40dB

Continued on next page.

LC75344MD

Continued from preceding page.

Volume control

D0	D1	D2	D3	D4	D5	D6	D7	Operation
1	0	0	1	0	1	0	0	-41dB
0	1	0	1	0	1	0	0	-42dB
1	1	0	1	0	1	0	0	-43dB
0	0	1	1	0	1	0	0	-44dB
1	0	1	1	0	1	0	0	-45dB
0	1	1	1	0	1	0	0	-46dB
1	1	1	1	0	1	0	0	-47dB
0	0	0	0	1	1	0	0	-48dB
1	0	0	0	1	1	0	0	-49dB
0	1	0	0	1	1	0	0	-50dB
0	0	1	0	1	1	0	0	-52dB
0	1	1	0	1	1	0	0	-54dB
0	0	0	1	1	1	0	0	-56dB
0	1	0	1	1	1	0	0	-58dB
0	0	1	1	1	1	0	0	-60dB
0	1	1	1	1	1	0	0	-62dB
0	0	0	0	0	0	1	0	-64dB
0	1	0	0	0	0	1	0	-66dB
0	0	1	0	0	0	1	0	-68dB
0	1	1	0	0	0	1	0	-70dB
0	0	0	1	0	0	1	0	-72dB
0	1	0	1	0	0	1	0	-74dB
0	0	1	1	0	0	1	0	-76dB
0	1	1	1	0	0	1	0	-78dB
0	0	0	0	1	0	1	0	-∞

Channel selection

D8	D9	Operation
0	0	Normally not used
1	0	RCH
0	1	LCH
1	1	Left and right channels together

Test mode

D10	D11	D12	D13	D14	D15	Operation
0	0	0	0	0	0	
These bits specify the IC test mode. They must be set to zero for normal operation.						

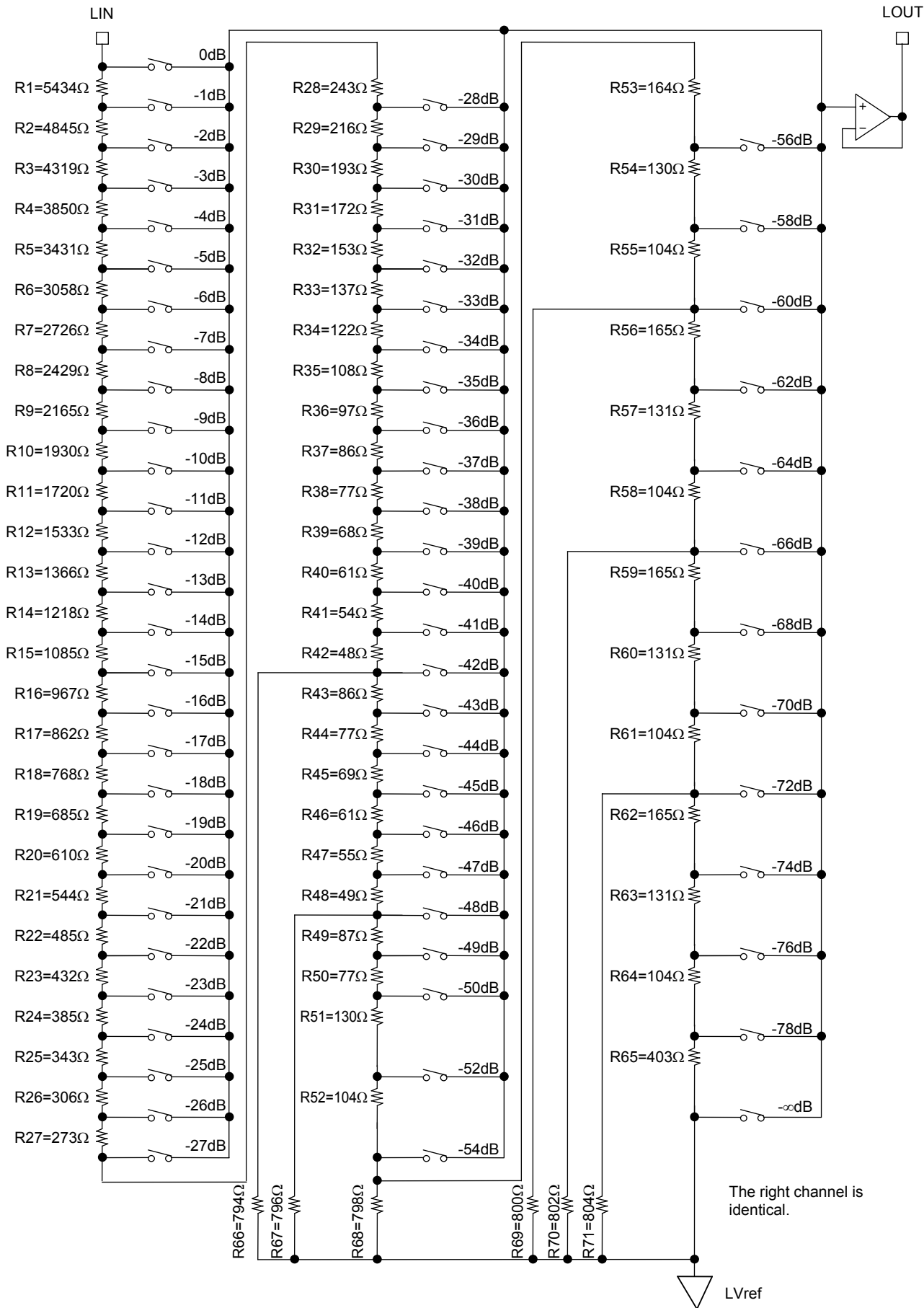
LC75344MD

Pin Functions

Pin name	Pin No.	Function	Notes
LIN RIN	1 10	Volume control inputs	
LOUT ROUT	2 9	Volume control outputs	
Vref	7	VDD × 0.5 voltage generator block for the analog ground level. A capacitor with a value a few times 10 μF must be inserted between Vref and AVSS (VSS) to minimize power supply ripple.	
VSS	8	Ground	
VDD	3	Power supply	
CE	6	Chip enable The internal latch data is written and the analog switches operate at the point this pin goes from high to low. Data transfer is enabled when this pin is at the high level.	
DI CL	4 5	Serial data and clock inputs for IC control.	

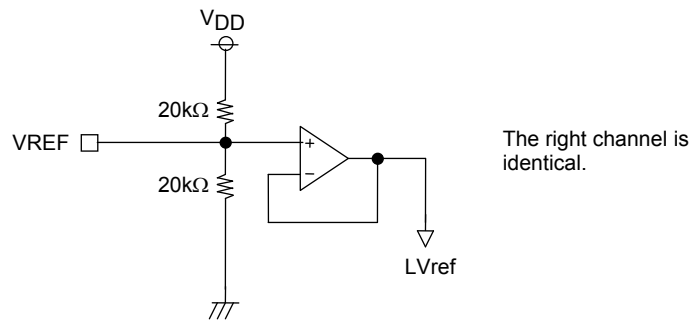
LC75344MD

Equivalent Circuit



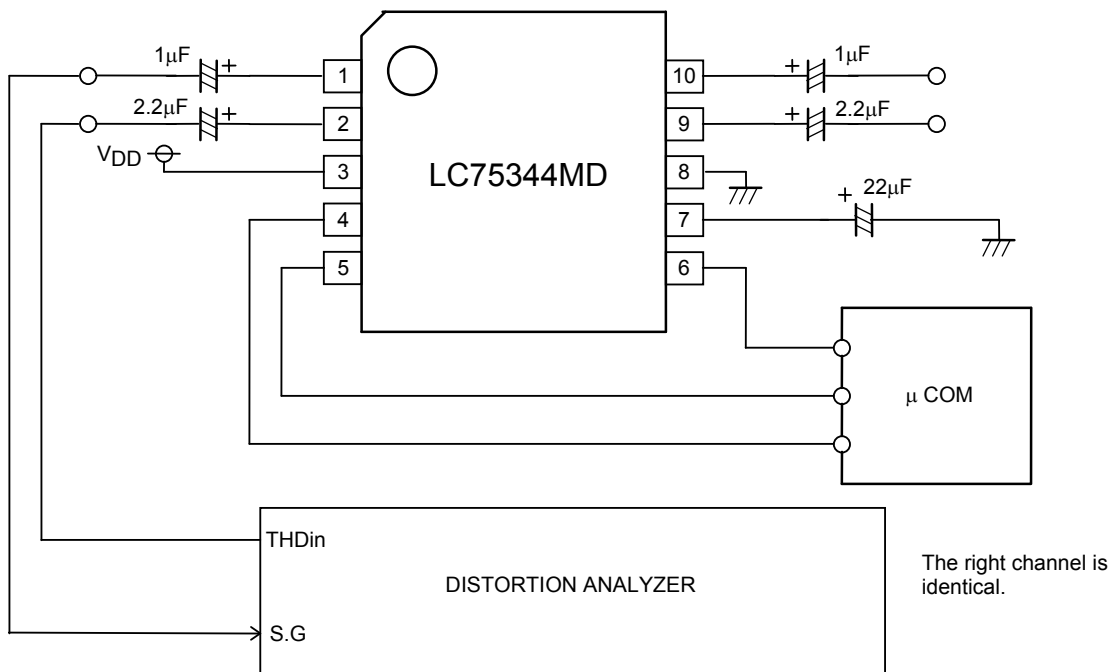
LC75344MD

Reference Voltage Generator Equivalent Circuit



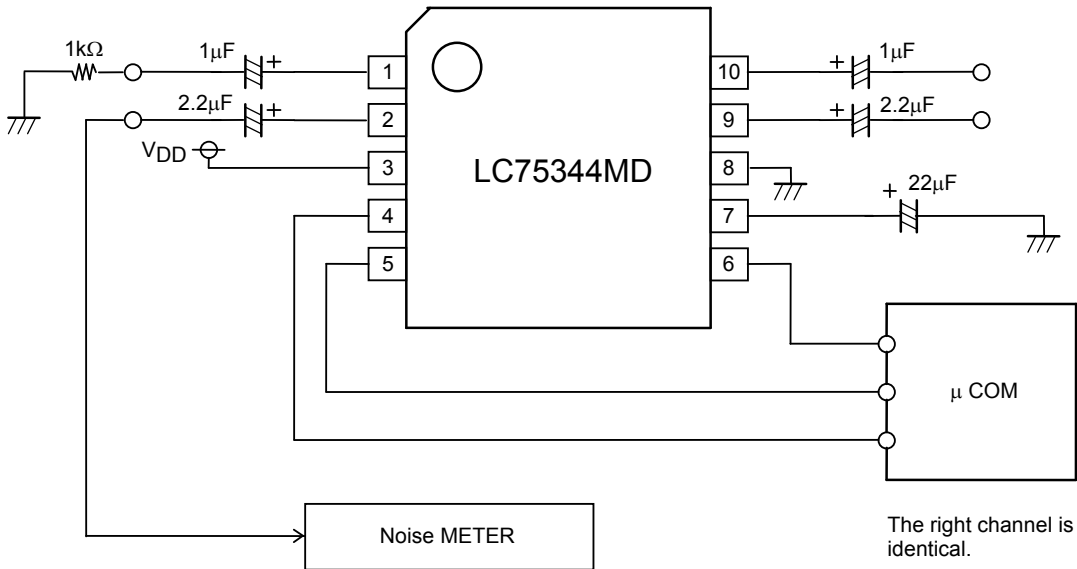
Test Circuit

- Total harmonic distortion

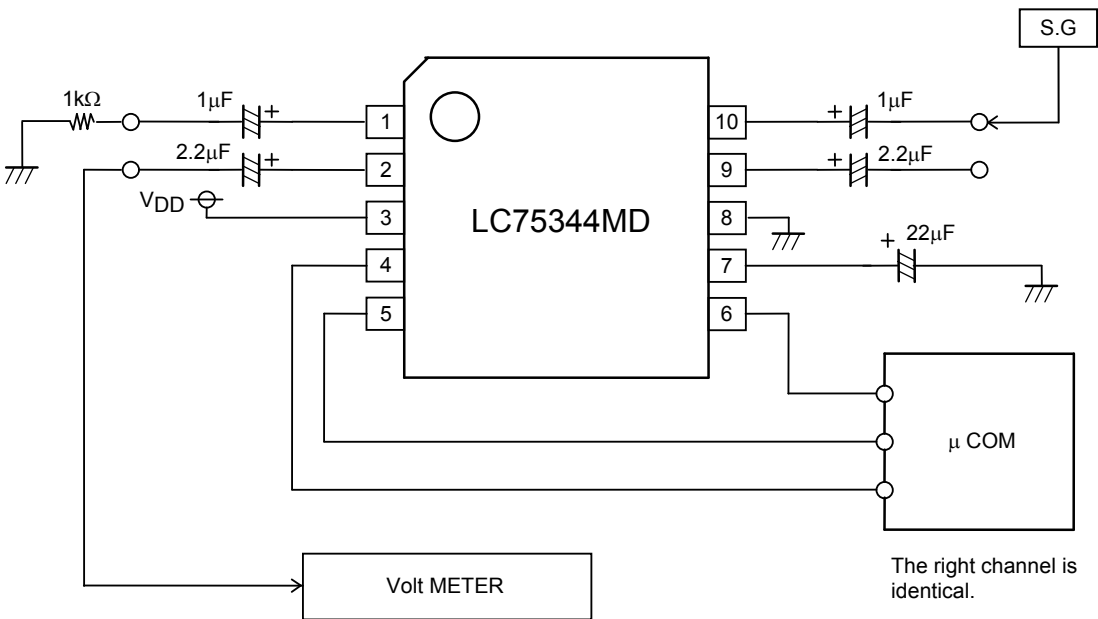


LC75344MD

• Output noise voltage



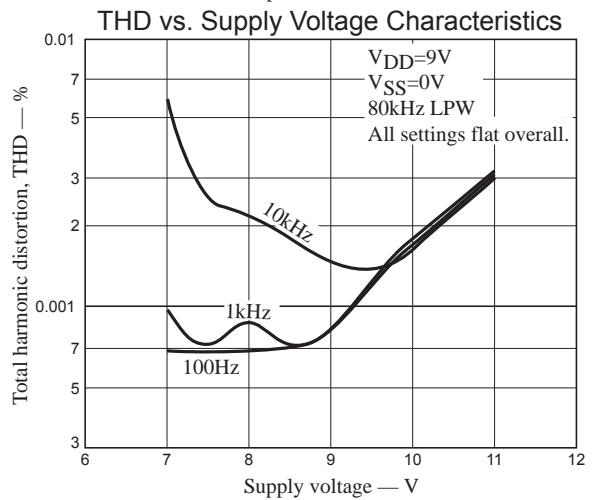
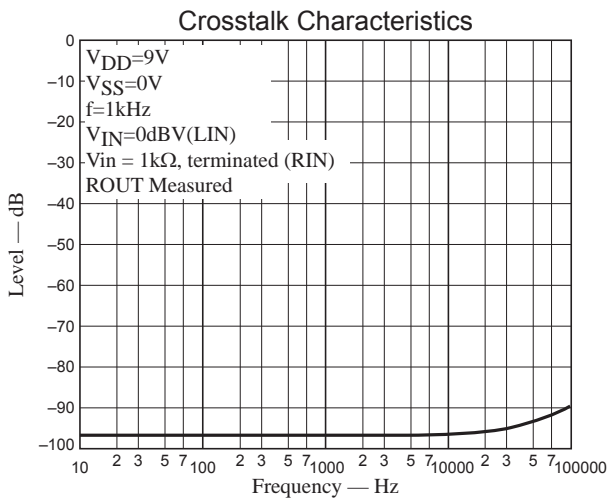
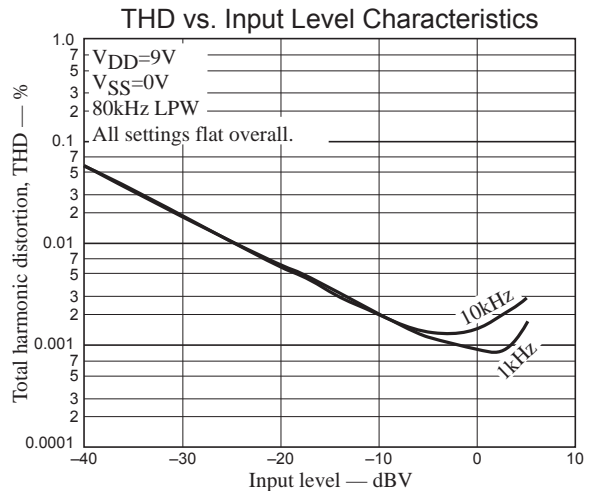
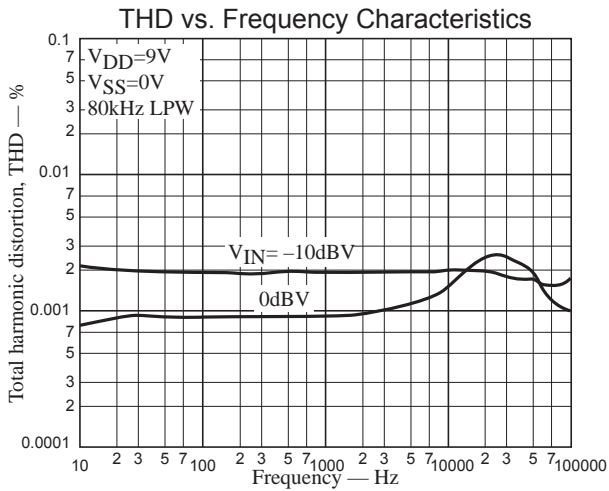
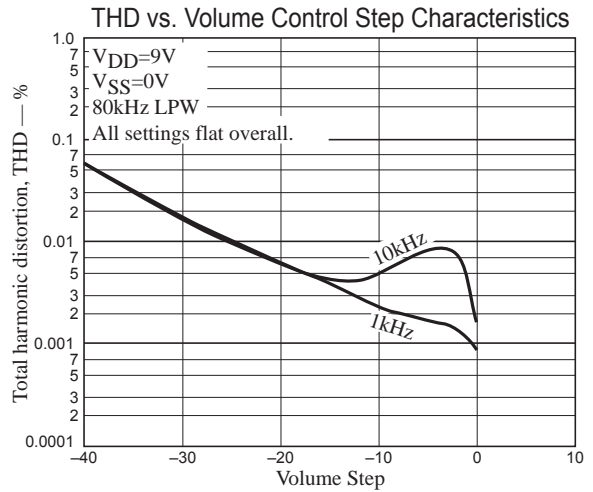
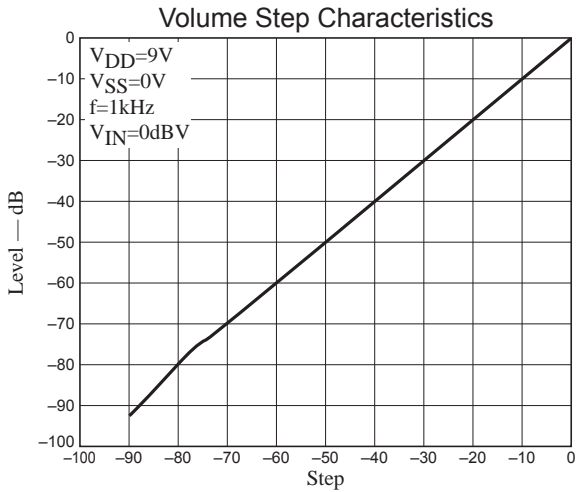
• Crosstalk



Usage Notes

- The states of the internal analog switches are undefined after power is first applied. Muting must be applied externally until the control data has been sent.
- When performing the initial settings after power is first applied, both the left and right channel initial settings data must be sent before releasing the external mute.
- Either cover the CL, DI, and CE lines with the ground pattern or use shielded lines to prevent high-frequency digital noise from entering the analog signal system from these lines.

LC75344MD



LC75344MD

ORDERING INFORMATION

Device	Package	Shipping (Qty / Packing)
LC75344MD-AH	SOIC-10 NB (Pb-Free / Halogen Free)	2500 / Tape & Reel

† For information on tape and reel specifications, including part orientation and tape sizes, please refer to our Tape and Reel Packaging Specifications Brochure, BRD8011/D. http://www.onsemi.com/pub_link/Collateral/BRD8011-D.PDF

ON Semiconductor and the ON Semiconductor logo are trademarks of Semiconductor Components Industries, LLC dba ON Semiconductor or its subsidiaries in the United States and/or other countries. ON Semiconductor owns the rights to a number of patents, trademarks, copyrights, trade secrets, and other intellectual property. A listing of ON Semiconductor's product/patent coverage may be accessed at www.onsemi.com/site/pdf/Patent-Marking.pdf. ON Semiconductor reserves the right to make changes without further notice to any products herein. ON Semiconductor makes no warranty, representation or guarantee regarding the suitability of its products for any particular purpose, nor does ON Semiconductor assume any liability arising out of the application or use of any product or circuit, and specifically disclaims any and all liability, including without limitation special, consequential or incidental damages. Buyer is responsible for its products and applications using ON Semiconductor products, including compliance with all laws, regulations and safety requirements or standards, regardless of any support or applications information provided by ON Semiconductor. "Typical" parameters which may be provided in ON Semiconductor data sheets and/or specifications can and do vary in different applications and actual performance may vary over time. All operating parameters, including "Typicals" must be validated for each customer application by customer's technical experts. ON Semiconductor does not convey any license under its patent rights nor the rights of others. ON Semiconductor products are not designed, intended, or authorized for use as a critical component in life support systems or any FDA Class 3 medical devices or medical devices with a same or similar classification in a foreign jurisdiction or any devices intended for implantation in the human body. Should Buyer purchase or use ON Semiconductor products for any such unintended or unauthorized application, Buyer shall indemnify and hold ON Semiconductor and its officers, employees, subsidiaries, affiliates, and distributors harmless against all claims, costs, damages, and expenses, and reasonable attorney fees arising out of, directly or indirectly, any claim of personal injury or death associated with such unintended or unauthorized use, even if such claim alleges that ON Semiconductor was negligent regarding the design or manufacture of the part. ON Semiconductor is an Equal Opportunity/Affirmative Action Employer. This literature is subject to all applicable copyright laws and is not for resale in any manner.