

NPN General-Purpose Amplifier

KSP2222A

Features

- Collector–Emitter Voltage: $V_{CEO} = 40\text{ V}$
- Available as PN2222A
- These are Pb–Free Devices

ABSOLUTE MAXIMUM RATINGS

($T_A = 25^\circ\text{C}$ unless otherwise noted.)

Symbol	Parameter	Value	Unit
V_{CBO}	Collector–Base Voltage	75	V
V_{CEO}	Collector–Emitter Voltage	40	V
V_{EBO}	Emitter–Base Voltage	6.0	V
I_C	Collector Current	600	mA
T_J	Junction Temperature	150	$^\circ\text{C}$
T_{STG}	Storage Temperature	–55 to 150	$^\circ\text{C}$

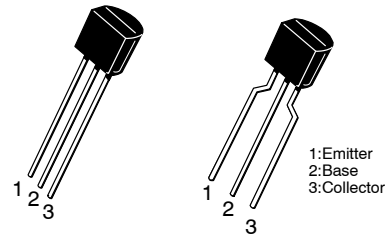
Stresses exceeding those listed in the Maximum Ratings table may damage the device. If any of these limits are exceeded, device functionality should not be assumed, damage may occur and reliability may be affected.

THERMAL CHARACTERISTICS (Note 1)

($T_A = 25^\circ\text{C}$ unless otherwise noted.)

Symbol	Parameter	Value	Unit
P_D	Power Dissipation by $R_{\theta JA}$	625	mW
	Derate Above 25°C	5	MW/ $^\circ\text{C}$
$R_{\theta JC}$	Thermal Resistance, Junction–to–Case	83.3	$^\circ\text{C}/\text{W}$
$R_{\theta JA}$	Thermal Resistance, Junction–to–Ambient	200	$^\circ\text{C}/\text{W}$

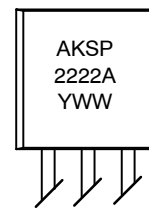
1. PCB size: FR–4, 76 mm x 114 mm x 1.57 mm (3.0 inch x 4.5 inch x 0.062 inch) with minimum land pattern size.



TO–92–3
CASE 135AN

TO–92 LF
CASE 135AR

MARKING DIAGRAM



- A = Assembly Code
- KSP2222A = Specific Device Code
- Y = Year
- WW = Work Week

ORDERING INFORMATION

Device	Package	Shipping
KSP2222ABU	TO–92 3 (Pb–Free)	10,000 Units / Bulk Bag
KSP2222ATA	TO–92 3 LF (Pb–Free)	2,000 / Fan–Fold

†For information on tape and reel specifications, including part orientation and tape sizes, please refer to our Tape and Reel Packaging Specification Brochure, [BRD8011/D](#).

KSP2222A

ELECTRICAL CHARACTERISTICS (T_A = 25°C unless otherwise noted.)

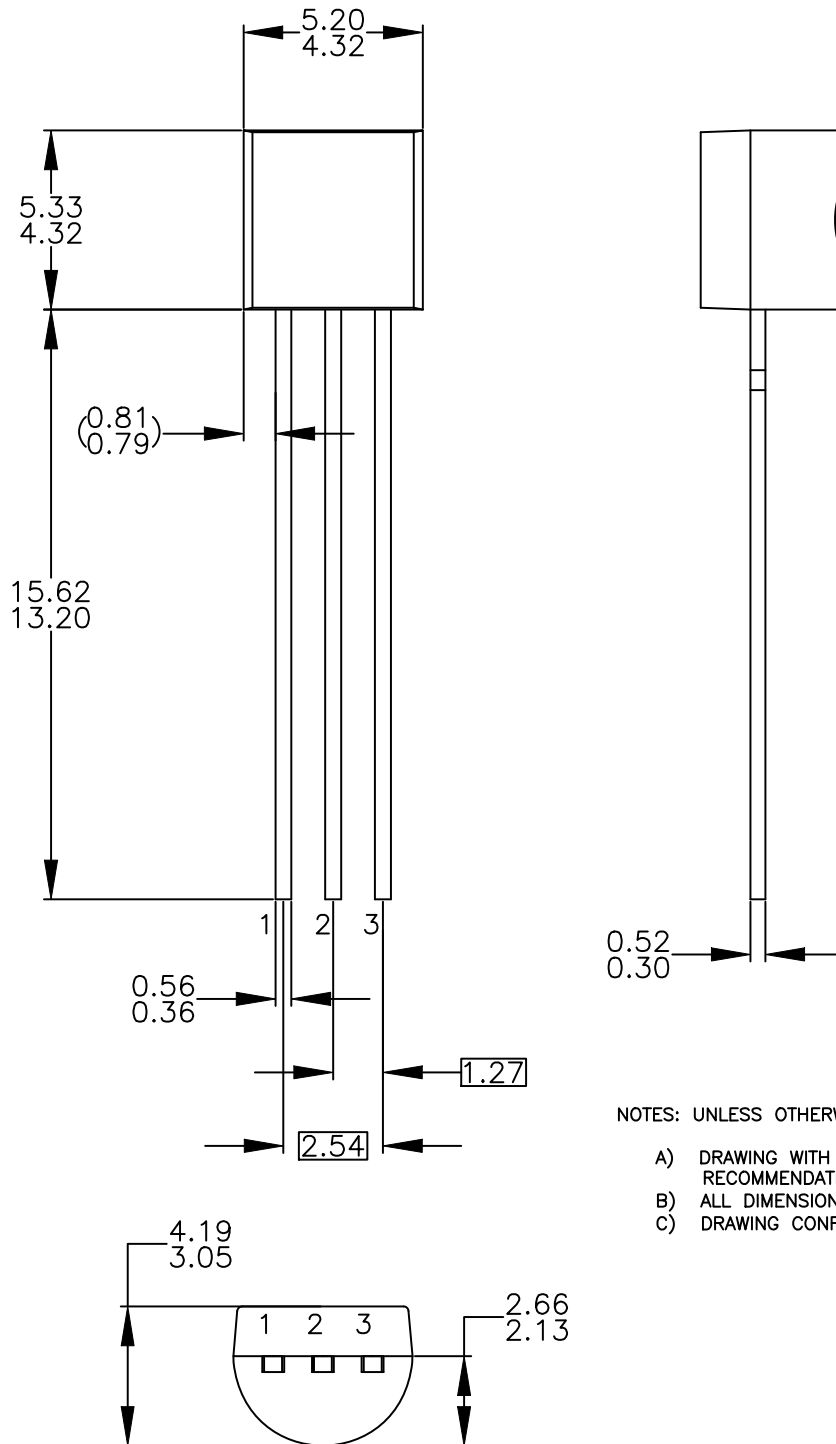
Symbol	Parameter	Conditions	Min	Max	Unit
BV _{CBO}	Collector–Base Breakdown Voltage	I _C = 10 μA, I _E = 0	75	–	V
BV _{CEO}	Collector–Emitter Breakdown Voltage	I _C = 10 mA, I _B = 0	40	–	V
BV _{EBO}	Emitter–Base Breakdown Voltage	I _E = 10 μA, I _C = 0	6.0	–	V
I _{CBO}	Collector Cut–Off Current	V _{CB} = 60 V, I _E = 0	–	0.01	μA
I _{EBO}	Emitter Cut–Off Current	V _{EB} = 3.0 V, I _C = 0	–	10	nA
h _{FE}	DC Current Gain	V _{CE} = 10 V, I _C = 0.1 mA	35	–	
		V _{CE} = 10 V, I _C = 1 mA	50	–	
		V _{CE} = 10 V, I _C = 10 mA	75	–	
		V _{CE} = 10 V, I _C = 150 mA (Note 2)	100	300	
		V _{CE} = 10 V, I _C = 500 mA (Note 2)	40	–	
V _{CE(sat)}	Collector–Emitter Saturation Voltage (Note 2)	I _C = 150 mA, I _B = 15 mA	–	0.3	V
		I _C = 500 mA, I _B = 50 mA	–	1.0	
V _{BE(on)}	Base–Emitter On Saturation Voltage (Note 2)	I _C = 150 mA, I _B = 15 mA	0.6	1.2	V
		I _C = 500 mA, I _B = 50 mA	–	2.0	
f _T	Current Gain Bandwidth Product	I _C = 20 mA, V _{CE} = 20 V, f = 100 MHz	300	–	MHz
C _{ob}	Output Capacitance	V _{CB} = 10 V, I _E = 0, f = 1.0 MHz	–	8	pF
t _{ON}	Turn–On Time	V _{CC} = 30 V, I _C = 150 mA, I _{B1} = 15 mA, V _{BE(off)} = 0.5 V	–	35	ns
t _{OFF}	Turn–Off Time	V _{CC} = 30 V, I _C = 150 mA, I _{B1} = I _{B2} = 15 mA	–	285	ns
NF	Noise Figure	I _C = 100 μA, V _{CE} = 10 V, R _S = 1 kΩ, f = 1.0 kHz	–	4	dB

Product parametric performance is indicated in the Electrical Characteristics for the listed test conditions, unless otherwise noted. Product performance may not be indicated by the Electrical Characteristics if operated under different conditions.

2. Pulse Test: PW ≤ 300 μs, Duty Cycle ≤ 2%.

TO-92 3 4.825x4.76
CASE 135AN
ISSUE O

DATE 31 JUL 2016



NOTES: UNLESS OTHERWISE SPECIFIED

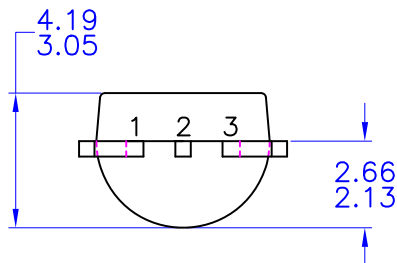
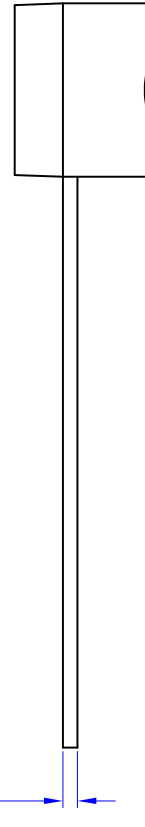
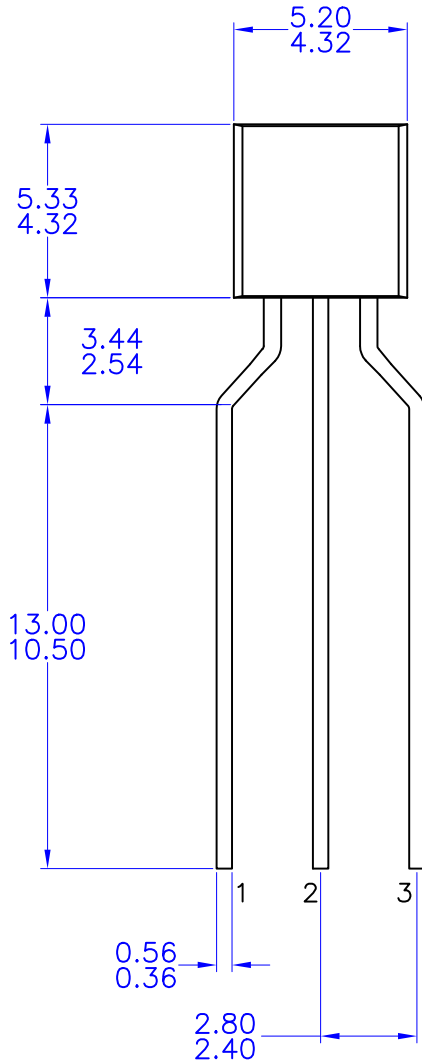
- A) DRAWING WITH REFERENCE TO JEDEC TO-92 RECOMMENDATIONS.
- B) ALL DIMENSIONS ARE IN MILLIMETERS.
- C) DRAWING CONFORMS TO ASME Y14.5M-2009.

DOCUMENT NUMBER:	98AON13880G	Electronic versions are uncontrolled except when accessed directly from the Document Repository. Printed versions are uncontrolled except when stamped "CONTROLLED COPY" in red.
DESCRIPTION:	TO-92 3 4.825X4.76	PAGE 1 OF 1

onsemi and ONSEMI are trademarks of Semiconductor Components Industries, LLC dba onsemi or its subsidiaries in the United States and/or other countries. onsemi reserves the right to make changes without further notice to any products herein. onsemi makes no warranty, representation or guarantee regarding the suitability of its products for any particular purpose, nor does onsemi assume any liability arising out of the application or use of any product or circuit, and specifically disclaims any and all liability, including without limitation special, consequential or incidental damages. onsemi does not convey any license under its patent rights nor the rights of others.

TO-92 3 4.83x4.76 LEADFORMED
CASE 135AR
ISSUE O

DATE 30 SEP 2016



NOTES: UNLESS OTHERWISE SPECIFIED

- A) DRAWING WITH REFERENCE TO JEDEC TO-92 RECOMMENDATIONS.
- B) ALL DIMENSIONS ARE IN MILLIMETERS.
- C) DRAWING CONFORMS TO ASME Y14.5M-1994

DOCUMENT NUMBER:	98AON13879G	Electronic versions are uncontrolled except when accessed directly from the Document Repository. Printed versions are uncontrolled except when stamped "CONTROLLED COPY" in red.
DESCRIPTION:	TO-92 3 4.83X4.76 LEADFORMED	PAGE 1 OF 1

onsemi and ONSEMI are trademarks of Semiconductor Components Industries, LLC dba onsemi or its subsidiaries in the United States and/or other countries. onsemi reserves the right to make changes without further notice to any products herein. onsemi makes no warranty, representation or guarantee regarding the suitability of its products for any particular purpose, nor does onsemi assume any liability arising out of the application or use of any product or circuit, and specifically disclaims any and all liability, including without limitation special, consequential or incidental damages. onsemi does not convey any license under its patent rights nor the rights of others.

onsemi, **Onsemi**, and other names, marks, and brands are registered and/or common law trademarks of Semiconductor Components Industries, LLC dba "**onsemi**" or its affiliates and/or subsidiaries in the United States and/or other countries. **onsemi** owns the rights to a number of patents, trademarks, copyrights, trade secrets, and other intellectual property. A listing of **onsemi**'s product/patent coverage may be accessed at www.onsemi.com/site/pdf/Patent-Marking.pdf. **onsemi** reserves the right to make changes at any time to any products or information herein, without notice. The information herein is provided "as-is" and **onsemi** makes no warranty, representation or guarantee regarding the accuracy of the information, product features, availability, functionality, or suitability of its products for any particular purpose, nor does **onsemi** assume any liability arising out of the application or use of any product or circuit, and specifically disclaims any and all liability, including without limitation special, consequential or incidental damages. Buyer is responsible for its products and applications using **onsemi** products, including compliance with all laws, regulations and safety requirements or standards, regardless of any support or applications information provided by **onsemi**. "Typical" parameters which may be provided in **onsemi** data sheets and/or specifications can and do vary in different applications and actual performance may vary over time. All operating parameters, including "Typicals" must be validated for each customer application by customer's technical experts. **onsemi** does not convey any license under any of its intellectual property rights nor the rights of others. **onsemi** products are not designed, intended, or authorized for use as a critical component in life support systems or any FDA Class 3 medical devices or medical devices with a same or similar classification in a foreign jurisdiction or any devices intended for implantation in the human body. Should Buyer purchase or use **onsemi** products for any such unintended or unauthorized application, Buyer shall indemnify and hold **onsemi** and its officers, employees, subsidiaries, affiliates, and distributors harmless against all claims, costs, damages, and expenses, and reasonable attorney fees arising out of, directly or indirectly, any claim of personal injury or death associated with such unintended or unauthorized use, even if such claim alleges that **onsemi** was negligent regarding the design or manufacture of the part. **onsemi** is an Equal Opportunity/Affirmative Action Employer. This literature is subject to all applicable copyright laws and is not for resale in any manner.

ADDITIONAL INFORMATION

TECHNICAL PUBLICATIONS:

Technical Library: www.onsemi.com/design/resources/technical-documentation
onsemi Website: www.onsemi.com

ONLINE SUPPORT: www.onsemi.com/support

For additional information, please contact your local Sales Representative at www.onsemi.com/support/sales