

MOSFET – Power, N-Channel, Logic Level, UltraFET

60 V, 20 A, 27 mΩ

HUFA76429D3

Features

- Ultra Low On-Resistance
 - ◆ $r_{DS(ON)} = 0.023 \Omega$, $V_{GS} = 10 V$
 - ◆ $r_{DS(ON)} = 0.027 \Omega$, $V_{GS} = 5 V$
- Simulation Models
 - ◆ Temperature Compensated PSPICE™ and Saber® Electrical Models
 - ◆ Spice and SABER Thermal Impedance Models
 - ◆ www.onsemi.com
- Peak Current vs. Pulse Width Curve
- UIS Rating Curve
- Switching Time vs. R_{GS} Curves

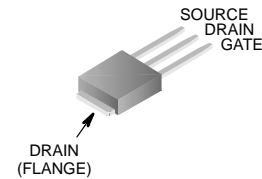
ABSOLUTE MAXIMUM RATINGS ($T_C = 25^\circ C$ unless otherwise noted)

Rating		Symbol	HUFA76429D3	Unit
Drain to Source Voltage (Note 1)		V_{DSS}	60	V
Drain to Gate Voltage ($R_{GS} = 20 k\Omega$) (Note 1)		V_{DGR}	60	V
Gate to Source Voltage		V_{GS}	± 16	V
Drain Current	Continuous ($T_C = 25^\circ C$, $V_{GS} = 5 V$)	I_D	20	A
	Continuous ($T_C = 25^\circ C$, $V_{GS} = 10 V$) (Figure 2)	I_D	20	A
	Continuous ($T_C = 100^\circ C$, $V_{GS} = 5 V$)	I_D	20	A
	Continuous ($T_C = 100^\circ C$, $V_{GS} = 4.5 V$) (Figure 2)	I_D	20	A
	Pulsed Drain Current	I_{DM}	Figure 4	
Pulsed Avalanche Rating		UIS	Figures 6, 17, 18	
Power Dissipation		P_D	110	W
	Derate Above $25^\circ C$		0.74	W/ $^\circ C$
Operating and Storage Temperature		T_J, T_{STG}	-55 to 175	$^\circ C$
Maximum Temperature for Soldering	Leads at 0.063 in (1.6 mm) from Case for 10 s	T_L	300	$^\circ C$
	Package Body for 10 s, See Techbrief TB334	T_{pkg}	260	$^\circ C$

Stresses exceeding those listed in the Maximum Ratings table may damage the device. If any of these limits are exceeded, device functionality should not be assumed, damage may occur and reliability may be affected.

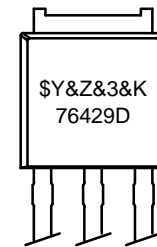
1. $T_J = 25^\circ C$ to $150^\circ C$.

V_{DSS}	$r_{DS(ON)} \text{ MAX}$	$I_D \text{ MAX}$
60 V	23 mΩ @ 10 V	20 A
	27 mΩ @ 4.5 V	
	29 mΩ @ 4.5 V	

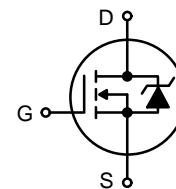


DPAK3 (IPAK)
JEDEC (TO-251AA)
CASE 369AR

MARKING DIAGRAM



\$Y = Logo
&Z = Assembly Plant Code
&3 = 3-Digit Date Code
&K = 2-Digits Lot Run Traceability Code
76429D = Device Code



N-Channel

ORDERING INFORMATION

Part Number	Package	Marking	Shipping
HUFA76429D3	DPAK3 (IPAK) (TO-251AA)	76429D	1800 Units / Tube

HUFA76429D3

ELECTRICAL CHARACTERISTICS (T_C = 25°C unless otherwise noted)

Parameter	Symbol	Test Conditions	Min	Typ	Max	Unit
-----------	--------	-----------------	-----	-----	-----	------

OFF STATE SPECIFICATIONS

Drain to Source Breakdown Voltage	BV _{DSS}	I _D = 250 μA, V _{GS} = 0 V (Figure 12)	60	-	-	V
		I _D = 250 μA, V _{GS} = 0 V, T _C = -40°C (Figure 12)	55	-	-	V
Zero Gate Voltage Drain Current	I _{DSS}	V _{DS} = 55 V, V _{GS} = 0 V	-	-	1	μA
		V _{DS} = 50 V, V _{GS} = 0 V, T _C = 150°C	-	-	250	μA
Gate to Source Leakage Current	I _{GSS}	V _{GS} = ±16 V	-	-	±100	nA

ON STATE SPECIFICATIONS

Gate to Source Threshold Voltage	V _{GS(TH)}	V _{GS} = V _{DS} , I _D = 250 μA (Figure 11)	1	-	3	V
Drain to Source On Resistance	r _{DS(ON)}	I _D = 20 A, V _{GS} = 10 V (Figures 9, 10)	-	0.0205	0.023	Ω
		I _D = 20 A, V _{GS} = 5 V (Figure 9)	-	0.024	0.027	Ω
		I _D = 20 A, V _{GS} = 4.5 V (Figure 9)	-	0.025	0.029	Ω

THERMAL SPECIFICATIONS

Thermal Resistance Junction to Case	R _{θJC}	TO-251	-	-	1.36	°C/W
Thermal Resistance Junction to Ambient	R _{θJA}		-	-	100	°C/W

SWITCHING SPECIFICATIONS (V_{GS} = 4.5 V)

Turn-On Time	t _{ON}	V _{DD} = 30 V, I _D = 20 A V _{GS} = 4.5 V, R _{GS} = 7.5 Ω (Figures 15, 21, 22)	-	-	220	ns
Turn-On Delay Time	t _{d(ON)}		-	13	-	ns
Rise Time	t _r		-	134	-	ns
Turn-Off Delay Time	t _{d(OFF)}		-	30	-	ns
Fall Time	t _f		-	55	-	ns
Turn-Off Time	t _{OFF}		-	-	130	ns

SWITCHING SPECIFICATIONS (V_{GS} = 10 V)

Turn-On Time	t _{ON}	V _{DD} = 30 V, I _D = 20 A V _{GS} = 10 V, R _{GS} = 8.2 Ω (Figures 16, 21, 22)	-	-	65	ns
Turn-On Delay Time	t _{d(ON)}		-	7.7	-	ns
Rise Time	t _r		-	36	-	ns
Turn-Off Delay Time	t _{d(OFF)}		-	60	-	ns
Fall Time	t _f		-	56	-	ns
Turn-Off Time	t _{OFF}		-	-	175	ns

GATE CHARGE SPECIFICATIONS

Total Gate Charge	Q _{g(TOT)}	V _{GS} = 0 V to 10 V	V _{DD} = 30 V, I _D = 20 A, I _{g(REF)} = 1.0 mA (Figures 14, 19, 20)	-	38	46	nC
Gate Charge at 5 V	Q _{g(5)}	V _{GS} = 0 V to 5 V		-	21	25	nC
Threshold Gate Charge	Q _{g(TH)}	V _{GS} = 0 V to 1 V		-	1.3	1.6	nC
Gate to Source Gate Charge	Q _{gs}			-	3.8	-	nC
Gate to Drain "Miller" Charge	Q _{gd}			-	9.7	-	nC

CAPACITANCE SPECIFICATIONS

Input Capacitance	C _{ISS}	V _{DS} = 25 V, V _{GS} = 0 V, f = 1 MHz (Figure 13)	-	1480	-	pF
Output Capacitance	C _{OSS}		-	440	-	pF
Reverse Transfer Capacitance	C _{RSS}		-	90	-	pF

Product parametric performance is indicated in the Electrical Characteristics for the listed test conditions, unless otherwise noted. Product performance may not be indicated by the Electrical Characteristics if operated under different conditions.

HUFA76429D3

SOURCE TO DRAIN DIODE SPECIFICATIONS

Parameter	Symbol	Test Conditions	Min	Typ	Max	Unit
Source to Drain Diode Voltage	V_{SD}	$I_{SD} = 20 \text{ A}$	-	-	1.25	V
		$I_{SD} = 10 \text{ A}$	-	-	1.00	V
Reverse Recovery Time	t_{rr}	$I_{SD} = 20 \text{ A}, dI_{SD}/dt = 100 \text{ A}/\mu\text{s}$	-	-	80	ns
Reverse Recovered Charge	Q_{RR}	$I_{SD} = 20 \text{ A}, dI_{SD}/dt = 100 \text{ A}/\mu\text{s}$	-	-	230	nC

TYPICAL PERFORMANCE CURVES

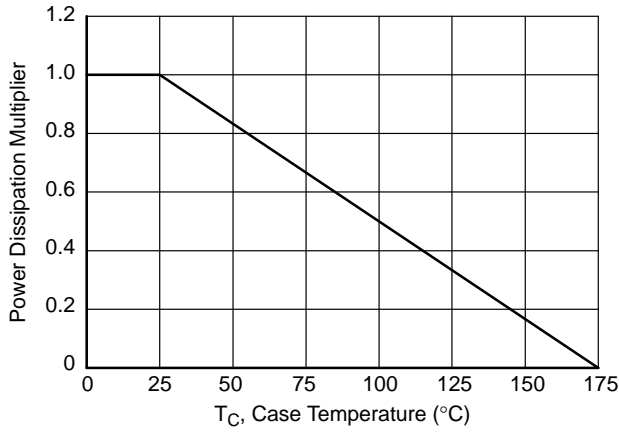


Figure 1. Normalized Power Dissipation vs. Case Temperature

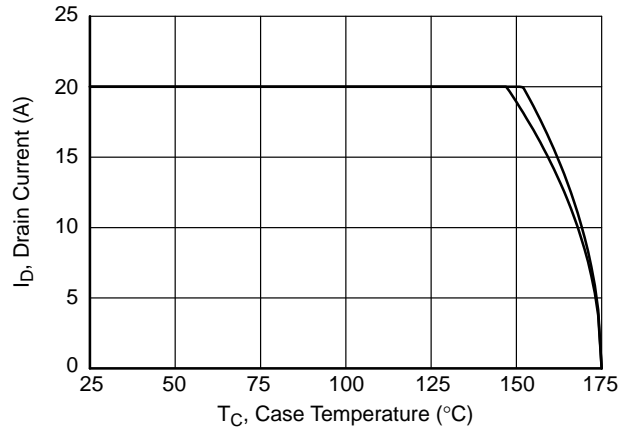


Figure 2. Maximum Continuous Drain Current vs. Case Temperature

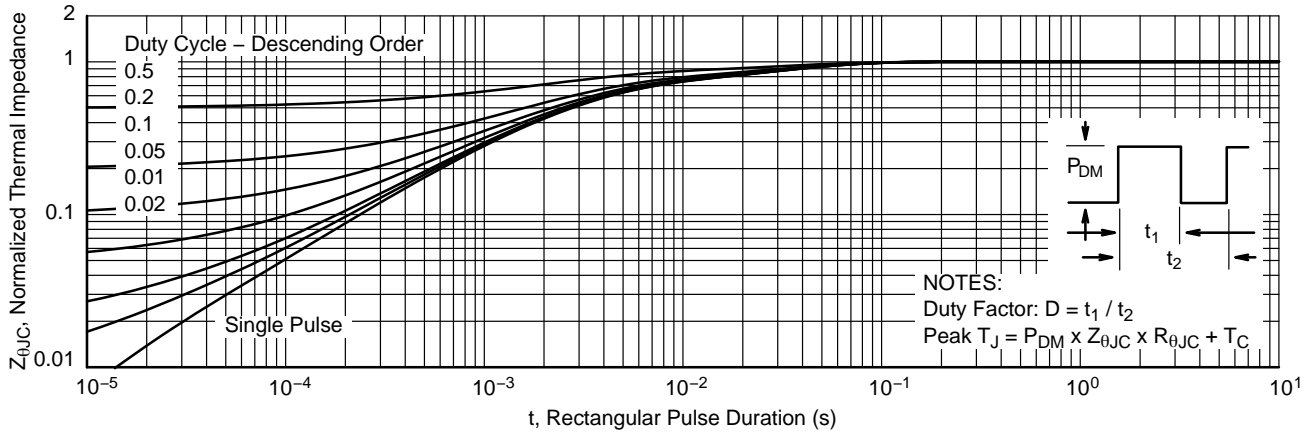


Figure 3. Normalized Maximum Transient Thermal Impedance

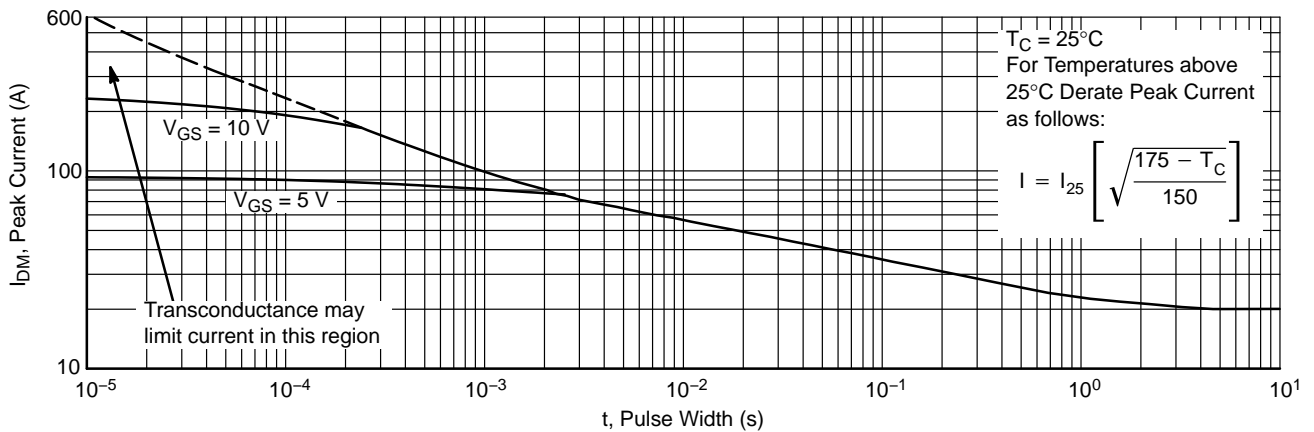


Figure 4. Peak Current Capability

TYPICAL PERFORMANCE CURVES (Continued)

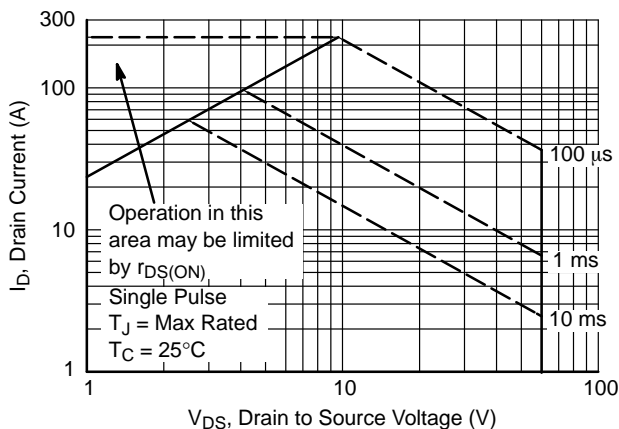
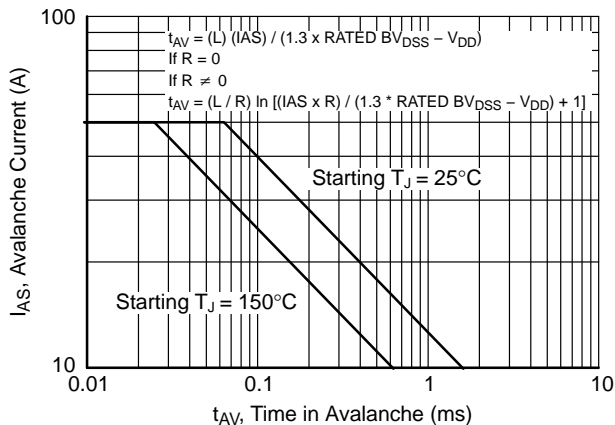


Figure 5. Forward Bias Safe Operating Area



NOTE: Refer to onsemi Application Notes AN9321 and AN9322.
Figure 6. Unclamped Inductive Switching Capability

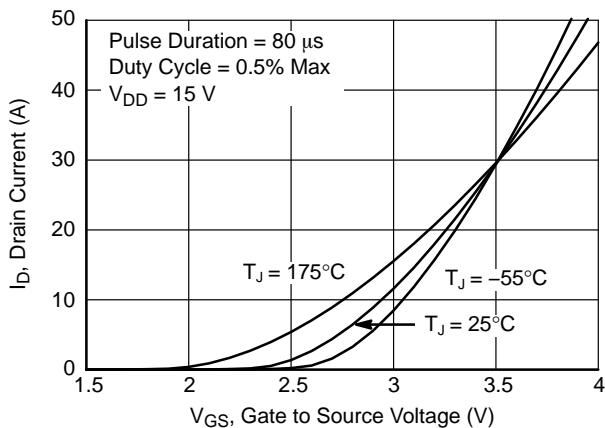


Figure 7. Transfer Characteristics

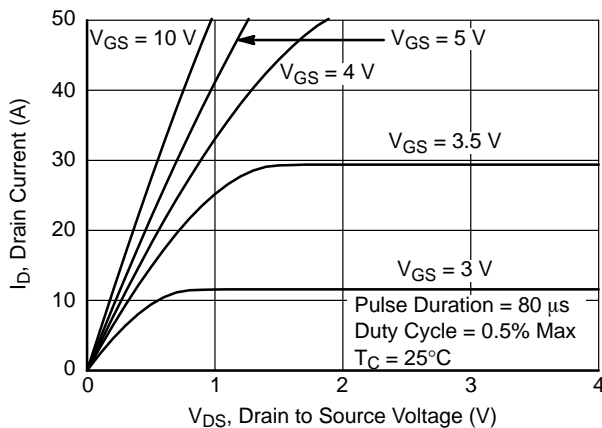


Figure 8. Saturation Characteristics

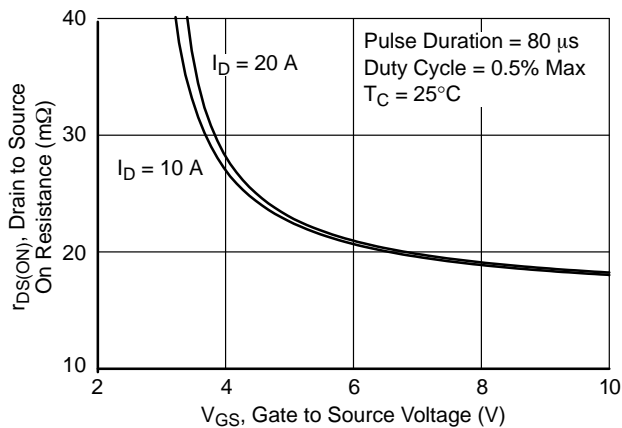


Figure 9. Drain to Source On Resistance vs. Gate Voltage and Drain Current

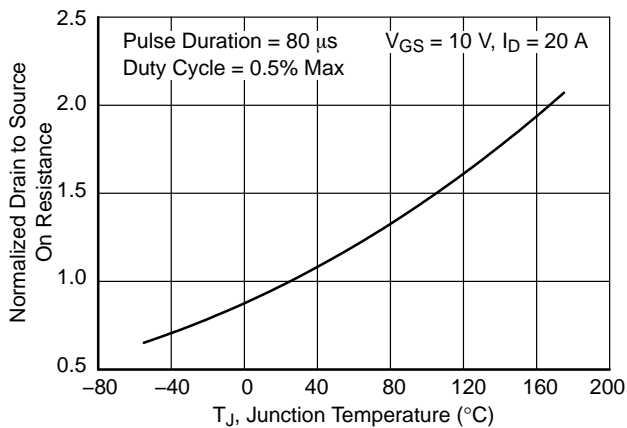


Figure 10. Normalized Drain to Source On Resistance vs. Junction Temperature

TYPICAL PERFORMANCE CURVES (Continued)

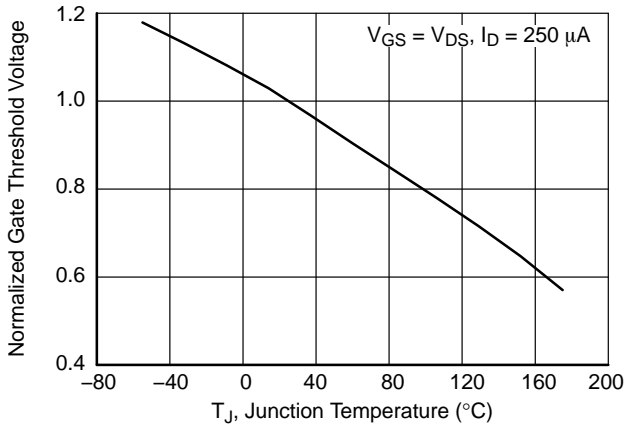


Figure 11. Normalized Gate Threshold Voltage vs. Junction Temperature

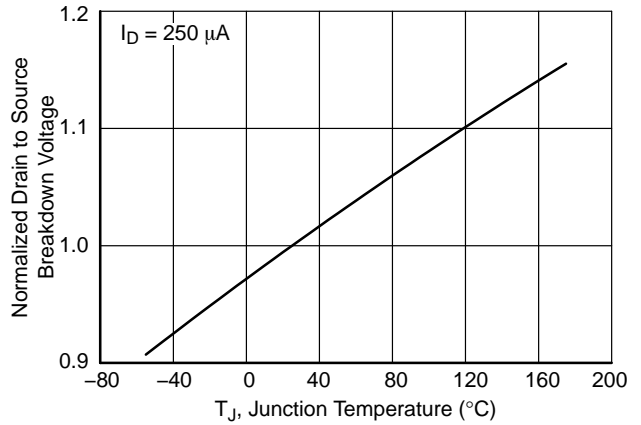


Figure 12. Normalized Drain to Source Breakdown Voltage vs. Junction Temperature

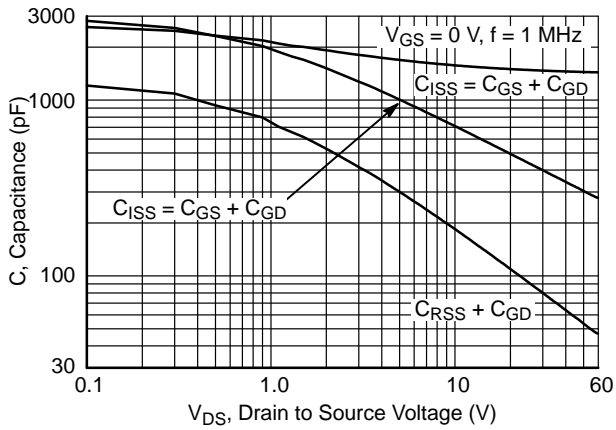
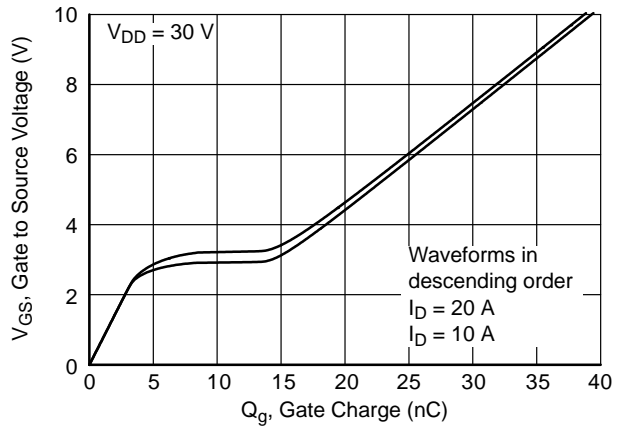


Figure 13. Capacitance vs. Drain to Source Voltage



NOTE: Refer to onsemi Application Notes AN7254 and AN7260.

Figure 14. Gate Charge Waveforms for Constant Gate Current

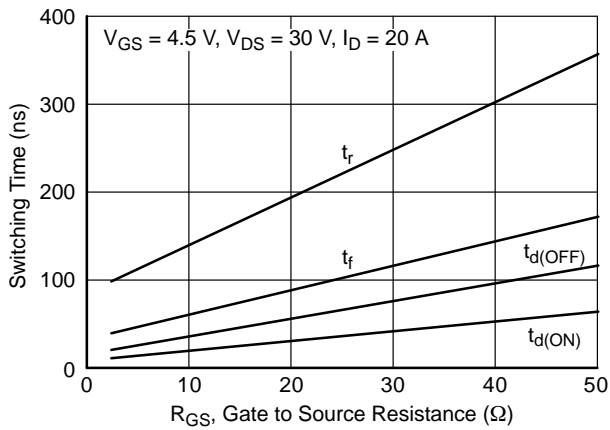


Figure 15. Switching Time vs. Gate Resistance

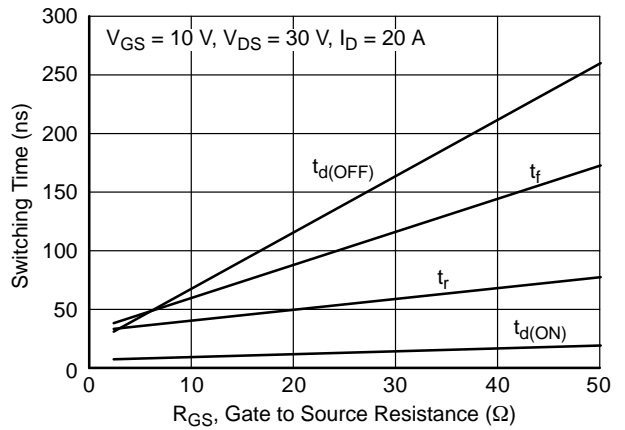


Figure 16. Switching Time vs. Gate Resistance

TEST CIRCUITS AND WAVEFORMS

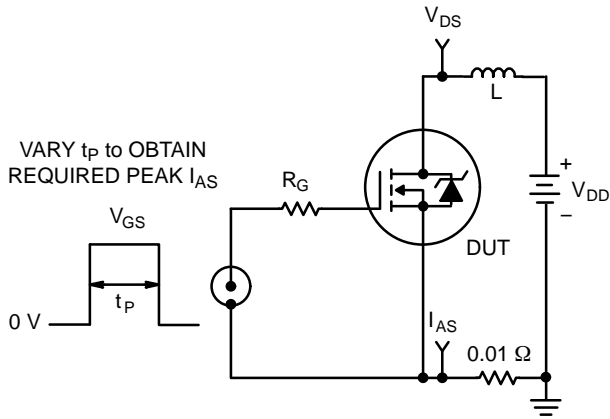


Figure 17. Unclamped Energy Test Circuit

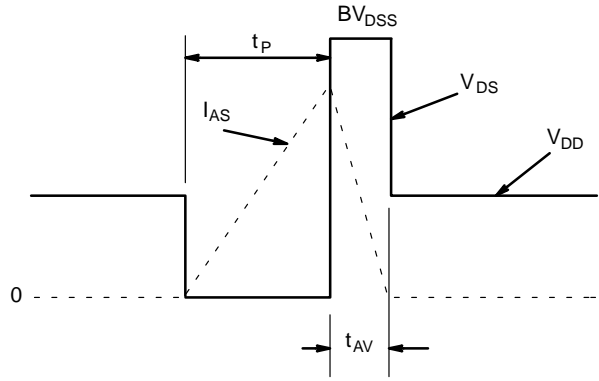


Figure 18. Unclamped Energy Waveforms

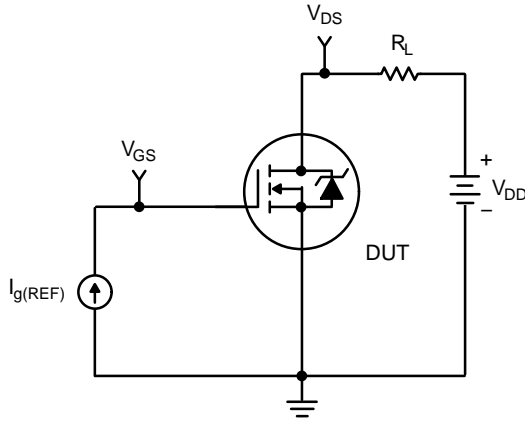


Figure 19. Gate Charge Test Circuit

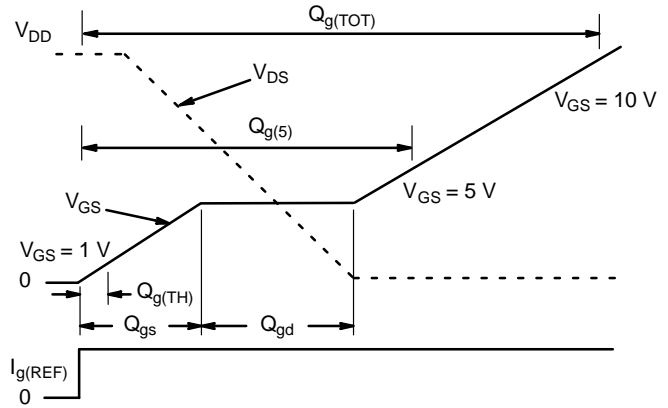


Figure 20. Gate Charge Waveforms

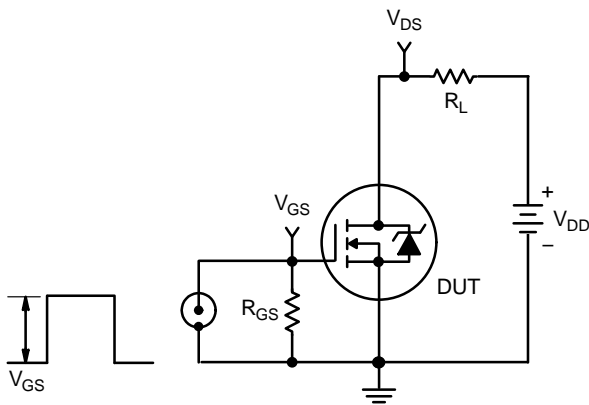


Figure 21. Switching Time Test Circuit

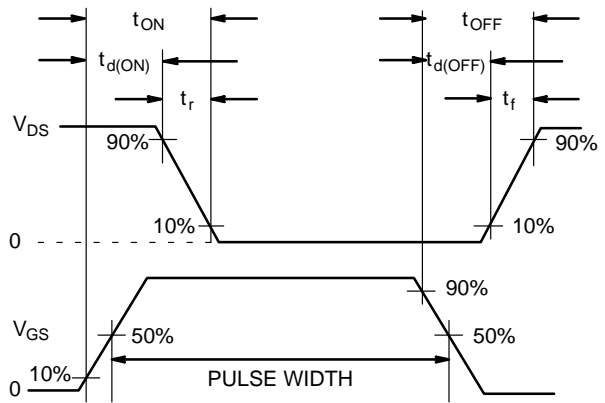


Figure 22. Switching Time Waveforms

HUFA76429D3

PSPICE ELECTRICAL MODEL

.SUBCKT HUFA76429D3 2 1 3 ; rev 5 July 1999

CA 12 8 2.03e-9
CB 15 14 2.03e-9
CIN 6 8 1.39e-9

DBODY 7 5 DBODYMOD
DBREAK 5 11 DBREAKMOD
DPLCAP 10 5 DPLCAPMOD

EBREAK 11 7 17 18 68.10
EDS 14 8 5 8 1
EGS 13 8 6 8 1
ESG 6 10 6 8 1
EVTHRES 6 21 19 8 1
EVTEMP 20 6 18 22 1

IT 8 17 1

LDRAIN 2 5 1e-9
LGATE 1 9 5.42e-9
LSOURCE 3 7 4.16e-9

MMED 16 6 8 8 MMEDMOD
MSTRO 16 6 8 8 MSTROMOD
MWEAK 16 21 8 8 MWEAKMOD

RBREAK 17 18 RBREAKMOD 1
RDRAIN 50 16 RDRAINMOD 9.1e-3
RGATE 9 20 2.80
RLDRAIN 2 5 10
RLGATE 1 9 54.2
RLSOURCE 3 7 41.6
RSLC1 5 51 RSLCMOD 1e-6
RSLC2 5 50 1e3
RSOURCE 8 7 RSOURCEMOD 6.5e-3
RVTHRES 22 8 RVTHRESMOD 1
RVTEMP 18 19 RVTEMPMOD 1

S1A 6 12 13 8 S1AMOD
S1B 13 12 13 8 S1BMOD
S2A 6 15 14 13 S2AMOD
S2B 13 15 14 13 S2BMOD

VBAT 22 19 DC 1

ESLC 51 50 VALUE={ (V(5,51)/ABS(V(5,51))) * (PWR(V(5,51)/(1e-6*117),3)) }

.MODEL DBODYMOD D (IS = 1.25e-12 IKF = 10 RS = 8.40e-3 TRS1 = 2.05e-3 TRS2 = 3.85e-6 CJO = 1.68e-9 TT =
4.90e-8 M = 0.48 XTI = 4.35)
.MODEL DBREAKMOD D (RS = 1.68e-1 TRS1 = 1e-3 TRS2 = -1e-6)
.MODEL DPLCAPMOD D (CJO = 1.28e-9 IS = 1e-30 N = 10 M = 0.8)
.MODEL MMEDMOD NMOS (VTO = 1.98 KP = 3.2 IS = 1e-30 N = 10 TOX = 1 L = 1u W = 1u RG = 2.80)
.MODEL MSTROMOD NMOS (VTO = 2.30 KP = 52 IS = 1e-30 N = 10 TOX = 1 L = 1u W = 1u)
.MODEL MWEAKMOD NMOS (VTO = 1.72 KP = 0.08 IS = 1e-30 N = 10 TOX = 1 L = 1u W = 1u RG = 28.0 RS = 0.1)
.MODEL RBREAKMOD RES (TC1 = 1.15e-3 TC2 = -5.40e-7)

HUFA76429D3

```

.MODEL RDRAINMOD RES (TC1 = 7.85e-3 TC2 = 1.95e-5)
.MODEL RSLCMOD RES (TC1 = 4.97e-3 TC2 = 5.05e-6)
.MODEL RSOURCEMOD RES (TC1 = 1.5e-3 TC2 = 1e-6)
.MODEL RVTHRESMOD RES (TC1 = -1.85e-3 TC2 = -4.48e-6)
.MODEL RVTEMPMOD RES (TC1 = -1.92e-3 TC2 = 9.50e-7)

.MODEL S1AMOD VSWITCH (RON = 1e-5 ROFF = 0.1 VON = -6.2 VOFF= -2.4)
.MODEL S1BMOD VSWITCH (RON = 1e-5 ROFF = 0.1 VON = -2.4 VOFF= -6.2)
.MODEL S2AMOD VSWITCH (RON = 1e-5 ROFF = 0.1 VON = -1.1 VOFF= 0.5)
.MODEL S2BMOD VSWITCH (RON = 1e-5 ROFF = 0.1 VON = 0.5 VOFF= -1.1)

.ENDS

```

NOTE: For further discussion of the PSPICE model, consult **A New PSPICE Sub-Circuit for the Power MOSFET Featuring Global Temperature Options**; IEEE Power Electronics Specialist Conference Records, 1991, written by William J. Hepp and C. Frank Wheatley.

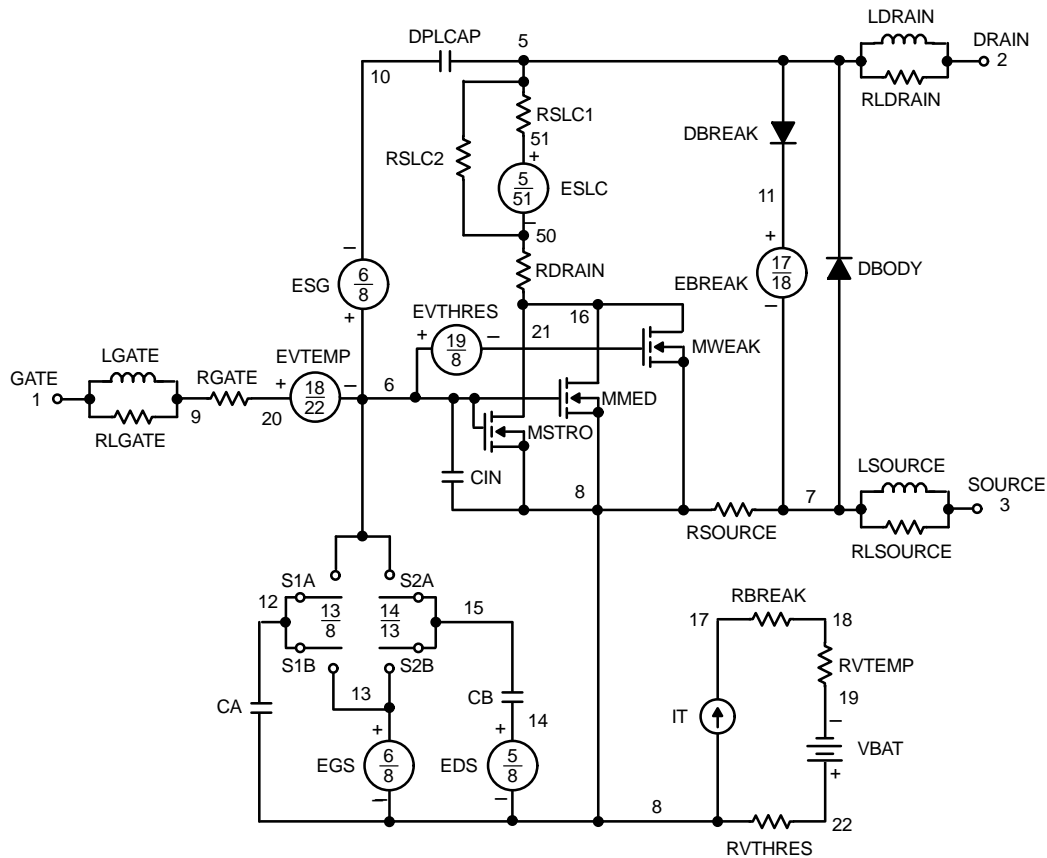


Figure 23.

HUFA76429D3

SABER ELECTRICAL MODEL

REV 5 July 1999

```
template HUFA76429d3 n2,n1,n3
electrical n2,n1,n3
{
var i iscl
d..model dbodymod = (is = 1.25e-12, cjo = 1.68e-9, tt = 4.90e-8, xti = 4.35, m = 0.48)
d..model dbreakmod = ()
d..model dplcapmod = (cjo = 1.28e-9, is = 1e-30, n = 10, m = 0.8)
m..model mmedmod = (type=_n, vto = 1.98, kp = 3.2, is = 1e-30, tox = 1)
m..model mstrongmod = (type=_n, vto = 2.30, kp = 52, is = 1e-30, tox = 1)
m..model mweakmod = (type=_n, vto = 1.72, kp = 0.08, is = 1e-30, tox = 1)
sw_vcsp..model s1amod = (ron = 1e-5, roff = 0.1, von = -6.2, voff = -2.4)
sw_vcsp..model s1bmod = (ron = 1e-5, roff = 0.1, von = -2.4, voff = -6.2)
sw_vcsp..model s2amod = (ron = 1e-5, roff = 0.1, von = -1.1, voff = 0.5)
sw_vcsp..model s2bmod = (ron = 1e-5, roff = 0.1, von = 0.5, voff = -1.1)

c.ca n12 n8 = 2.03e-9
c.cb n15 n14 = 2.03e-9
c.cin n6 n8 = 1.39e-9

d.dbody n7 n71 = model=dbodymod
d.dbreak n72 n11 = model=dbreakmod
d.dplcap n10 n5 = model=dplcapmod

i.it n8 n17 = 1

l.l drain n2 n5 = 1e-9
l.l gate n1 n9 = 5.42e-9
l.l source n3 n7 = 4.16e-9

m.mmed n16 n6 n8 n8 = model=mmedmod, l=1u, w=1u
m.mstrong n16 n6 n8 n8 = model=mstrongmod, l=1u, w=1u
m.mweak n16 n21 n8 n8 = model=mweakmod, l=1u, w=1u

res.rbreak n17 n18 = 1, tc1 = 1.15e-3, tc2 = -5.40e-7
res.rbody n71 n5 = 8.40e-3, tc1 = 2.05e-3, tc2 = 3.85e-6
res.rdbreak n72 n5 = 1.68e-1, tc1 = 1.00e-3, tc2 = -1.00e-6
res.rdrain n50 n16 = 9.10e-3, tc1 = 7.85e-3, tc2 = 1.95e-5
res.rgate n9 n20 = 2.80
res.rldrain n2 n5 = 10
res.rlgate n1 n9 = 54.2
res.rls source n3 n7 = 41.6
res.rslc1 n5 n51 = 1e-6, tc1 = 4.97e-3, tc2 = 5.05e-6
res.rslc2 n5 n50 = 1e3
res.rsource n8 n7 = 6.5e-3, tc1 = 1.5e-3, tc2 = 1e-6
res.rvtemp n18 n19 = 1, tc1 = -1.92e-3, tc2 = 9.50e-7
res.rvthres n22 n8 = 1, tc1 = -1.85e-3, tc2 = -4.48e-6

spe.ebreak n11 n7 n17 n18 = 68.10
spe.eds n14 n8 n5 n8 = 1
spe.egs n13 n8 n6 n8 = 1
spe.esg n6 n10 n6 n8 = 1
spe.evtemp n20 n6 n18 n22 = 1
spe.evthres n6 n21 n19 n8 = 1
```

HUFA76429D3

```

sw_vcsp.s1a n6 n12 n13 n8 = model=s1amod
sw_vcsp.s1b n13 n12 n13 n8 = model=s1bmod
sw_vcsp.s2a n6 n15 n14 n13 = model=s2amod
sw_vcsp.s2b n13 n15 n14 n13 = model=s2bmod

```

```
v.vbat n22 n19 = dc=1
```

```

equations {
i (n51->n50) +=iscl
iscl: v(n51,n50) = ((v(n5,n51)/(1e-9+abs(v(n5,n51))))*((abs(v(n5,n51)*1e6/117))** 3))
}
}

```

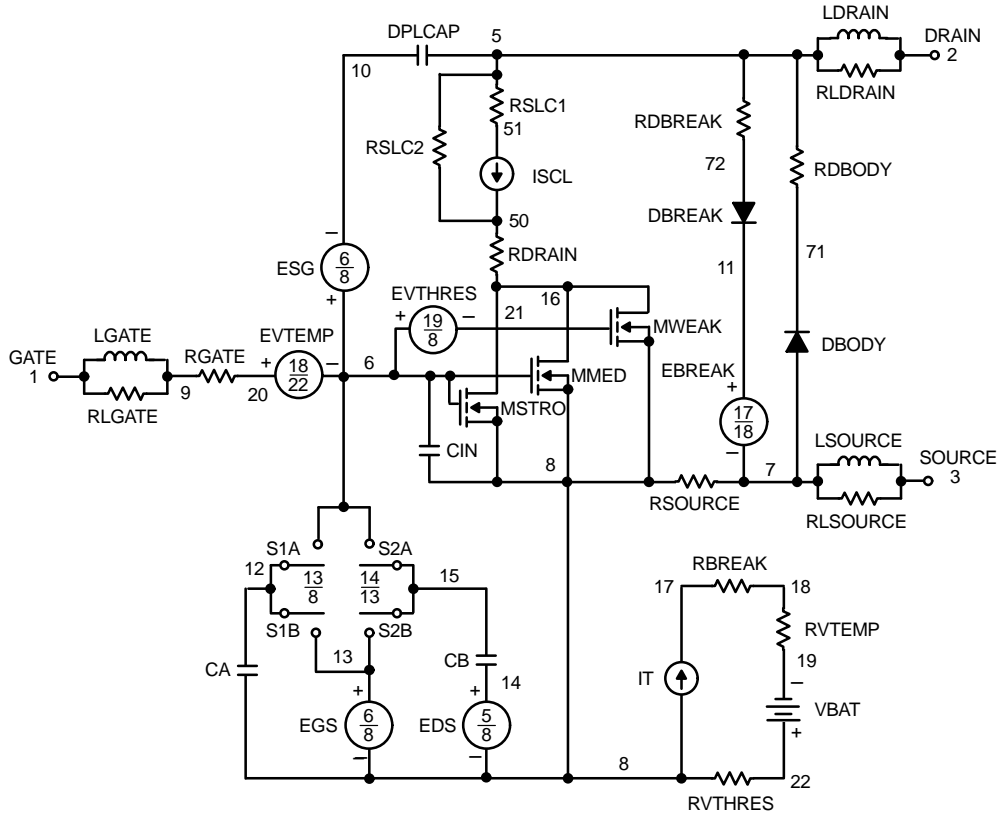


Figure 24.

HUFA76429D3

SPICE THERMAL MODEL

REV 26 July 1999

HUFA76429D3

CTHERM1 th 6 2.45e-3
 CTHERM2 6 5 8.15e-3
 CTHERM3 5 4 7.40e-3
 CTHERM4 4 3 7.45e-3
 CTHERM5 3 2 1.01e-2
 CTHERM6 2 tl 7.49e-2

RTHERM1 th 6 9.00e-3
 RTHERM2 6 5 1.80e-2
 RTHERM3 5 4 9.15e-2
 RTHERM4 4 3 2.43e-1
 RTHERM5 3 2 3.50e-1
 RTHERM6 2 tl 3.62e-1

SABER THERMAL MODEL

SABER thermal model HUFA76429D3

```

template thermal_model th tl
thermal_c th, tl
{
    ctherm.ctherm1 th 6 = 2.45e-3
    ctherm.ctherm2 6 5 = 8.15e-3
    ctherm.ctherm3 5 4 = 7.40e-3
    ctherm.ctherm4 4 3 = 7.45e-3
    ctherm.ctherm5 3 2 = 1.01e-2
    ctherm.ctherm6 2 tl = 7.49e-2

    rtherm.rtherm1 th 6 = 9.00e-3
    rtherm.rtherm2 6 5 = 1.80e-2
    rtherm.rtherm3 5 4 = 9.15e-2
    rtherm.rtherm4 4 3 = 2.43e-1
    rtherm.rtherm5 3 2 = 3.50e-1
    rtherm.rtherm6 2 tl = 3.62e-1
}
    
```

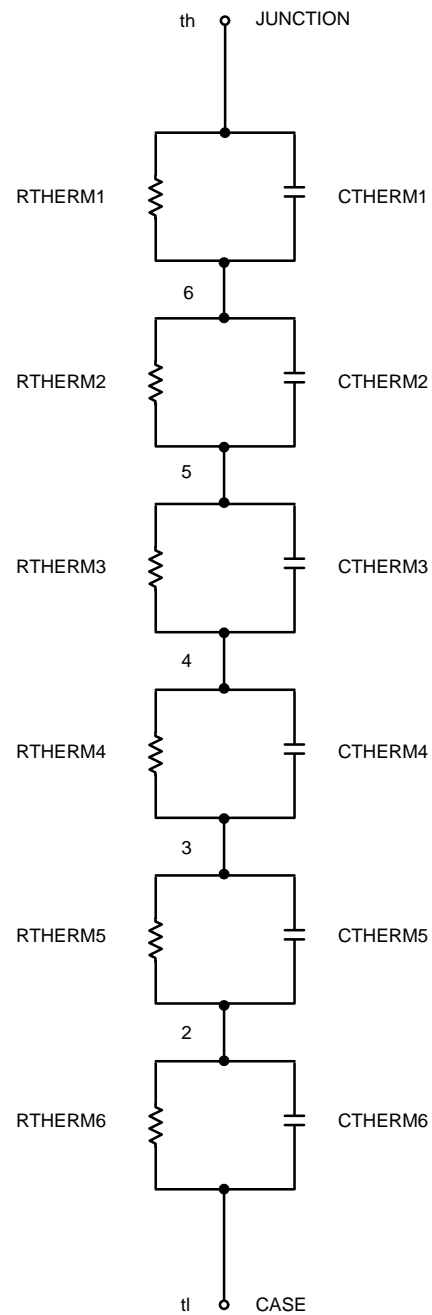
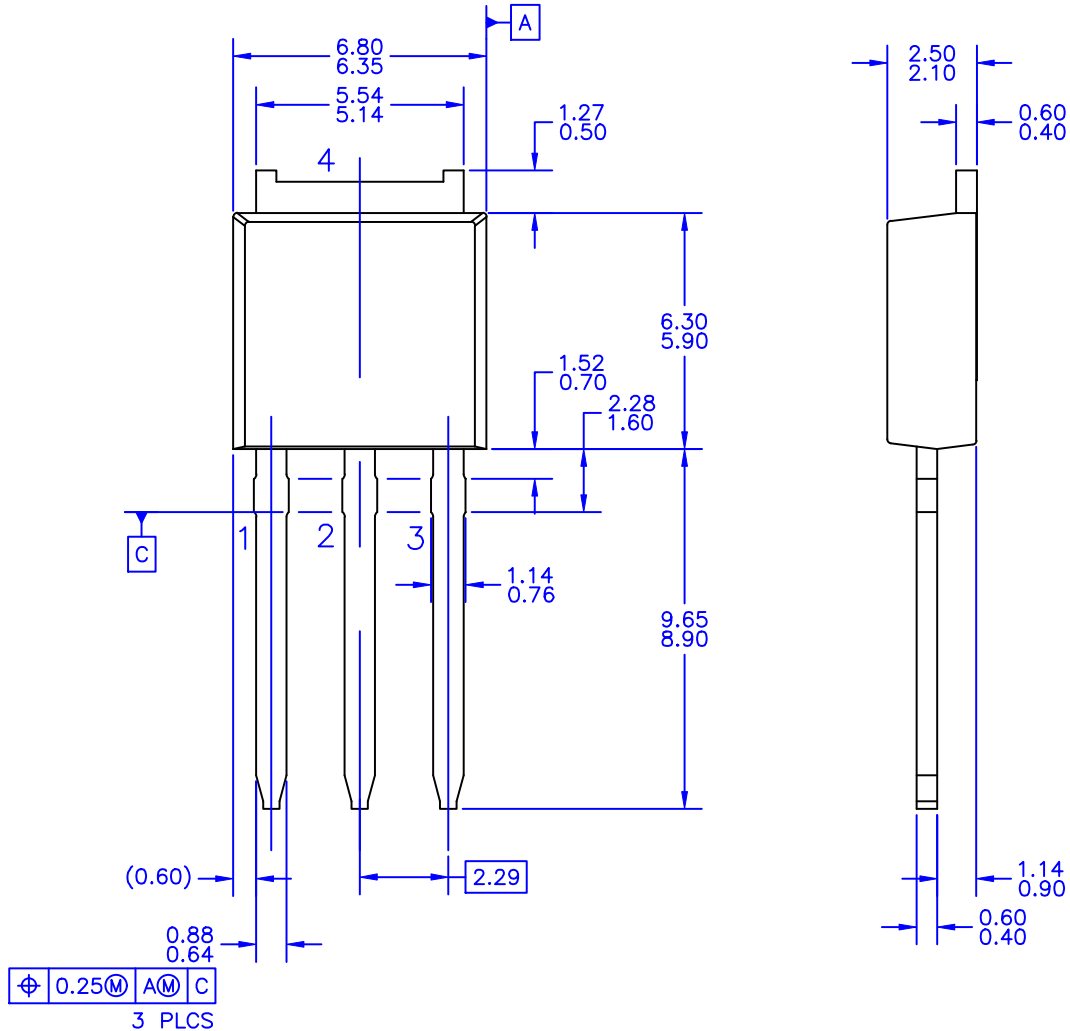


Figure 25.

PSpice is a trademark of MicroSim Corporation.
 Saber is a registered trademark of Sabremark Limited Partnership.

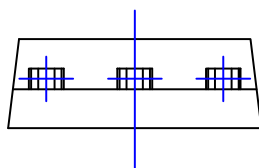
DPAK3 (IPAK)
CASE 369AR
ISSUE O

DATE 30 SEP 2016



NOTES: UNLESS OTHERWISE SPECIFIED

- A) ALL DIMENSIONS ARE IN MILLIMETERS.
- B) THIS PACKAGE CONFORMS TO JEDEC, TO-251, ISSUE C, VARIATION AA, DATED SEP 1988.
- C) DIMENSIONING AND TOLERANCING PER ASME Y14.5M-1994.



DOCUMENT NUMBER:	98AON13815G	Electronic versions are uncontrolled except when accessed directly from the Document Repository. Printed versions are uncontrolled except when stamped "CONTROLLED COPY" in red.
DESCRIPTION:	DPAK3 (IPAK)	PAGE 1 OF 1

onsemi and Onsemi are trademarks of Semiconductor Components Industries, LLC dba onsemi or its subsidiaries in the United States and/or other countries. onsemi reserves the right to make changes without further notice to any products herein. onsemi makes no warranty, representation or guarantee regarding the suitability of its products for any particular purpose, nor does onsemi assume any liability arising out of the application or use of any product or circuit, and specifically disclaims any and all liability, including without limitation special, consequential or incidental damages. onsemi does not convey any license under its patent rights nor the rights of others.

onsemi, **Onsemi**, and other names, marks, and brands are registered and/or common law trademarks of Semiconductor Components Industries, LLC dba "**onsemi**" or its affiliates and/or subsidiaries in the United States and/or other countries. **onsemi** owns the rights to a number of patents, trademarks, copyrights, trade secrets, and other intellectual property. A listing of **onsemi**'s product/patent coverage may be accessed at www.onsemi.com/site/pdf/Patent-Marking.pdf. **onsemi** reserves the right to make changes at any time to any products or information herein, without notice. The information herein is provided "as-is" and **onsemi** makes no warranty, representation or guarantee regarding the accuracy of the information, product features, availability, functionality, or suitability of its products for any particular purpose, nor does **onsemi** assume any liability arising out of the application or use of any product or circuit, and specifically disclaims any and all liability, including without limitation special, consequential or incidental damages. Buyer is responsible for its products and applications using **onsemi** products, including compliance with all laws, regulations and safety requirements or standards, regardless of any support or applications information provided by **onsemi**. "Typical" parameters which may be provided in **onsemi** data sheets and/or specifications can and do vary in different applications and actual performance may vary over time. All operating parameters, including "Typicals" must be validated for each customer application by customer's technical experts. **onsemi** does not convey any license under any of its intellectual property rights nor the rights of others. **onsemi** products are not designed, intended, or authorized for use as a critical component in life support systems or any FDA Class 3 medical devices or medical devices with a same or similar classification in a foreign jurisdiction or any devices intended for implantation in the human body. Should Buyer purchase or use **onsemi** products for any such unintended or unauthorized application, Buyer shall indemnify and hold **onsemi** and its officers, employees, subsidiaries, affiliates, and distributors harmless against all claims, costs, damages, and expenses, and reasonable attorney fees arising out of, directly or indirectly, any claim of personal injury or death associated with such unintended or unauthorized use, even if such claim alleges that **onsemi** was negligent regarding the design or manufacture of the part. **onsemi** is an Equal Opportunity/Affirmative Action Employer. This literature is subject to all applicable copyright laws and is not for resale in any manner.

ADDITIONAL INFORMATION

TECHNICAL PUBLICATIONS:

Technical Library: www.onsemi.com/design/resources/technical-documentation
onsemi Website: www.onsemi.com

ONLINE SUPPORT: www.onsemi.com/support

For additional information, please contact your local Sales Representative at www.onsemi.com/support/sales