



Is Now Part of



**ON Semiconductor®**

To learn more about ON Semiconductor, please visit our website at  
[www.onsemi.com](http://www.onsemi.com)

Please note: As part of the Fairchild Semiconductor integration, some of the Fairchild orderable part numbers will need to change in order to meet ON Semiconductor's system requirements. Since the ON Semiconductor product management systems do not have the ability to manage part nomenclature that utilizes an underscore (\_), the underscore (\_) in the Fairchild part numbers will be changed to a dash (-). This document may contain device numbers with an underscore (\_). Please check the ON Semiconductor website to verify the updated device numbers. The most current and up-to-date ordering information can be found at [www.onsemi.com](http://www.onsemi.com). Please email any questions regarding the system integration to [Fairchild\\_questions@onsemi.com](mailto:Fairchild_questions@onsemi.com).

ON Semiconductor and the ON Semiconductor logo are trademarks of Semiconductor Components Industries, LLC dba ON Semiconductor or its subsidiaries in the United States and/or other countries. ON Semiconductor owns the rights to a number of patents, trademarks, copyrights, trade secrets, and other intellectual property. A listing of ON Semiconductor's product/patent coverage may be accessed at [www.onsemi.com/site/pdf/Patent-Marking.pdf](http://www.onsemi.com/site/pdf/Patent-Marking.pdf). ON Semiconductor reserves the right to make changes without further notice to any products herein. ON Semiconductor makes no warranty, representation or guarantee regarding the suitability of its products for any particular purpose, nor does ON Semiconductor assume any liability arising out of the application or use of any product or circuit, and specifically disclaims any and all liability, including without limitation special, consequential or incidental damages. Buyer is responsible for its products and applications using ON Semiconductor products, including compliance with all laws, regulations and safety requirements or standards, regardless of any support or applications information provided by ON Semiconductor. "Typical" parameters which may be provided in ON Semiconductor data sheets and/or specifications can and do vary in different applications and actual performance may vary over time. All operating parameters, including "Typicals" must be validated for each customer application by customer's technical experts. ON Semiconductor does not convey any license under its patent rights nor the rights of others. ON Semiconductor products are not designed, intended, or authorized for use as a critical component in life support systems or any FDA Class 3 medical devices or medical devices with a same or similar classification in a foreign jurisdiction or any devices intended for implantation in the human body. Should Buyer purchase or use ON Semiconductor products for any such unintended or unauthorized application, Buyer shall indemnify and hold ON Semiconductor and its officers, employees, subsidiaries, affiliates, and distributors harmless against all claims, costs, damages, and expenses, and reasonable attorney fees arising out of, directly or indirectly, any claim of personal injury or death associated with such unintended or unauthorized use, even if such claim alleges that ON Semiconductor was negligent regarding the design or manufacture of the part. ON Semiconductor is an Equal Opportunity/Affirmative Action Employer. This literature is subject to all applicable copyright laws and is not for resale in any manner.

# FAN105BM6X

## Offline Primary-Side-Regulation (PSR) Quasi-Resonant Valley Switch Controller

FAN105B is offline Primary-Side-Regulation (PSR) PWM controller with Quasi-Resonant (QR) mode controller to achieved constant-voltage (CV) and constant-current (CC) control for Travel Adaptor (TA) requirement, and provide cost-effective, simplified circuit for energy-efficient power supplies.

FAN105B integrates proprietary operation of energy saving feature at no load, mWSaver Technology that combines our most energy efficient process and circuit technologies for power adapter design.

FAN105B can be used in Travel Adapter design by stand-alone or co-work with secondary-side SR controller FAN6292B. When paired FAN105B with FAN6292B, both SR and USB Type-C connector are compatible to achieve higher power and advanced control applications.

### Features

- mWSaver® Technology Provides Ultra-Low Standby Power Consumption for Energy Star's 5-Star Level (<30 mW with HV FET)
- Constant-Current (CC) and Constant-Voltage(CV) with Primary-Side Regulation Eliminates Secondary-Side Feedback Component
- Valley Switch Operation for Highest Average Efficiency
- Programmable Cable Drop Compensation(CDC) with One External Resistor
- Integrated Dynamic Response Enhancement(DRE) Function
- Low EMI Emissions and Common Mode Noise
- Cycle-by-Cycle Current Limiting
- Output Short-Circuit Protection
- Secondary side Rectifier Short Detection via Current Sense Protection(CSP)
- Integrated Constant Current Compensation for Precise CC Regulation
- Output Over-Voltage Protection (VSOVP)
- Output under-Voltage Protection (VSUVP)
- VDD Over-Voltage Protection (VDD OVP)
- Internal Thermal-Shutdown Protection (OTP)
- Programmable Brown-In and Brown-Out Protection

### Typical Applications

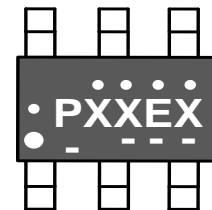
- Travel Adapter for Smart Phones, Feature Phones, and Tablet PCs
- AC-DC Adapters for Portable Devices that Require CV/CC Control



**ON Semiconductor®**

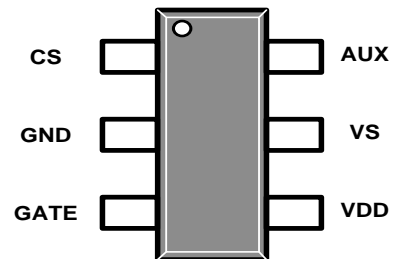
[www.onsemi.com](http://www.onsemi.com)

### MARKING DIAGRAM



- • • = Year Code
- PXX** = 5A0 : FAN105BM6X  
= 5B0 : FAN105BM6X
- E X** = Die Run Code
- - - = Week Code

### PIN CONNECTIONS



### ORDERING INFORMATION

Part Number	Operating Temperature Range	Package	Packing Method
FAN105BM6X	-40 °C ~125°C	6-Lead, SOT23	Tap & Reel

For information on tape and reel specifications, including part orientation and tape sizes, please refer to our Tape and Reel Packaging Specifications Brochure, BRD8011/D.

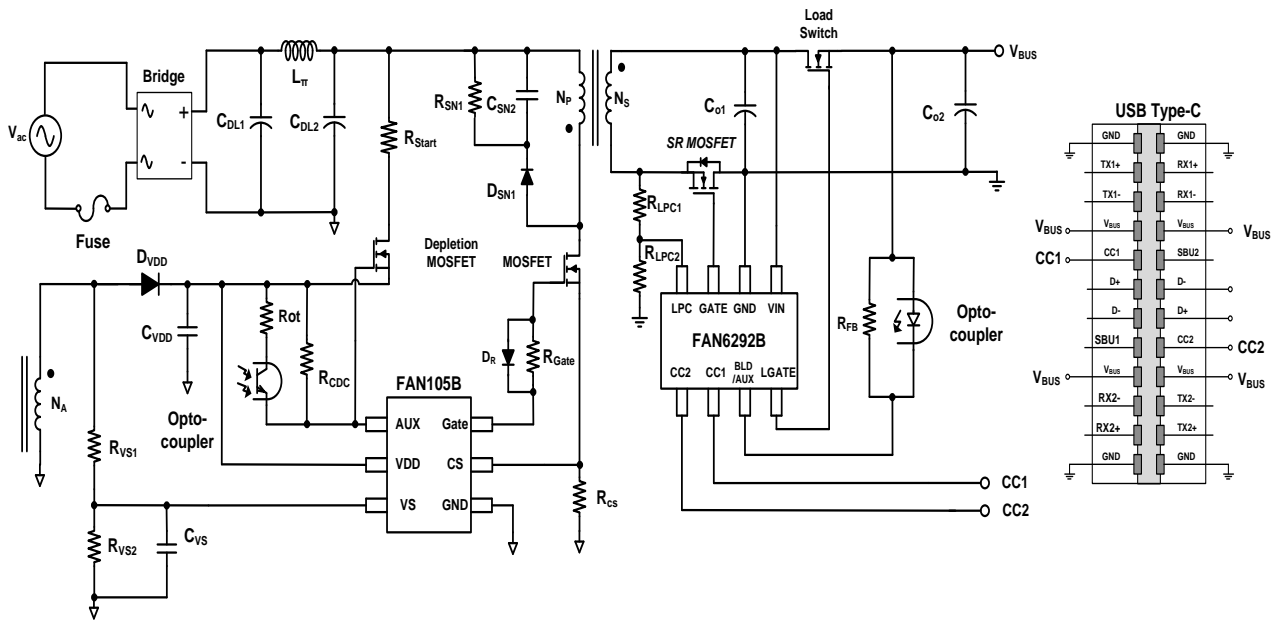


Figure 1. FAN105B Typical Application Schematic

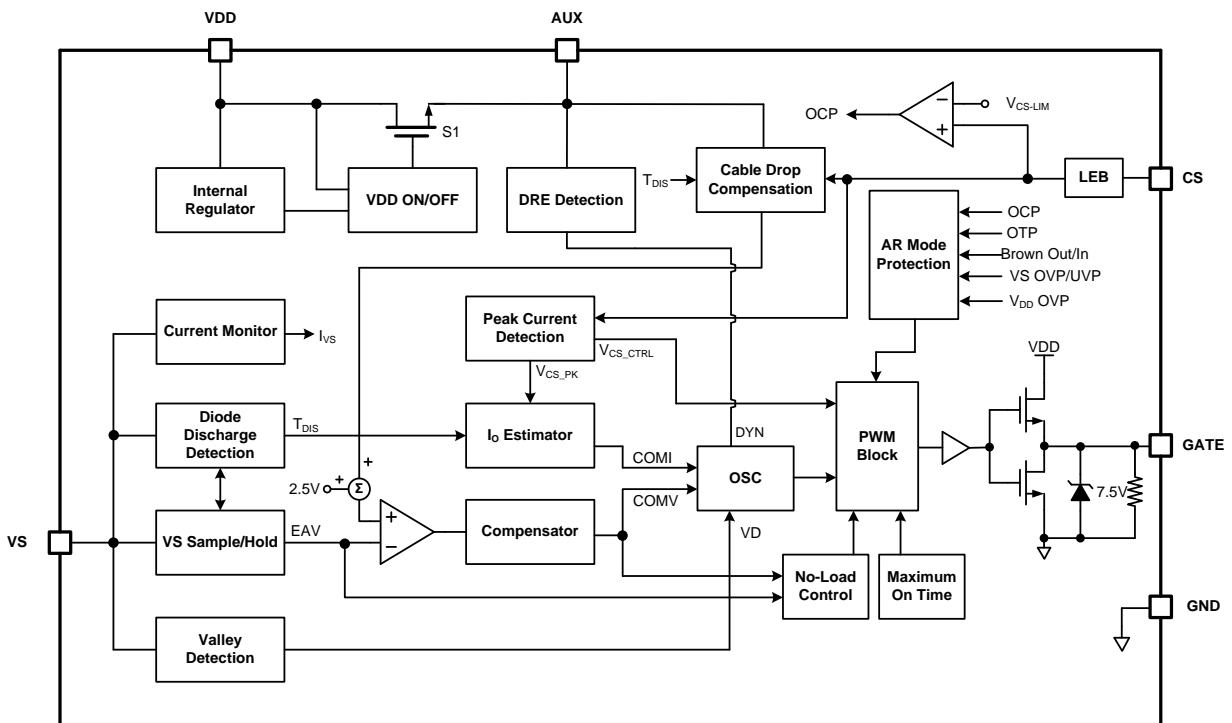


Figure 2. FAN105B Function Block Diagram

## PIN FUNCTION DESCRIPTION

Pin #	Name	Description
1	CS	<b>Current Sense.</b> This pin connects to a current-sense resistor to detect the MOSFET current for Peak-Current-Mode control for output regulation. The current-sense information is also used to estimate the output current for CC regulation.
2	GND	<b>Ground</b>
3	GATE	<b>PWM Signal Output.</b> This pin has an internal totem-pole output driver to drive the power MOSFET. The gate driving voltage is internally clamped at 7.5 V.
4	VDD	<b>Power Supply.</b> IC operating current and MOSFET driving current are supplied through this pin. This pin is typically connected to an external V <sub>DD</sub> capacitor.
5	VS	<b>Voltage Sense.</b> This pin detects the output voltage information and diode current discharge time based on the voltage of auxiliary winding. It also senses sink current through the auxiliary winding to detect input voltage information.
6	AUX	<b>Auxiliary Function.</b> This pin generates one voltage level proportional to output current to compensate output voltage drop due to cable resistance. The pin is also used for startup with external HV FET.

**ABSOLUTE MAXIMUM RATINGS** (Note 1,2,3,4)

Parameter	Symbol	Min.	Max.	Unit
DC Supply Voltage	$V_{VDD}$	-0.3	30	V
AUX Pin Input Voltage	$V_{AUX}$	-0.3	30	V
VS Pin Input Voltage	$V_{VS}$	-0.3	6.0	V
CS Pin Input Voltage	$V_{CS}$	-0.3	6.0	V
Power Dissipation ( $T_A=25^{\circ}\text{C}$ )	$P_D$		0.391	mW
Operating Junction Temperature	$T_J$	-40	+150	$^{\circ}\text{C}$
Storage Temperature Range	$T_{STG}$	-60	+150	$^{\circ}\text{C}$
Lead Temperature (Soldering, 10 Seconds)	$T_L$		+260	$^{\circ}\text{C}$
Electrostatic Discharge Capability	Human Body Model, ANSI/ESDA/JEDEC, JESD22_A114	ESD	>1.5	kV
	Charged Device Model, JEDEC:JESD22_C101		>0.5	

1. Stresses exceeding the absolute maximum ratings may damage the device. The device may not function or be operable above stressing the parts to these levels is not recommended. In addition, extended exposure to stresses above the recommended operating conditions may affect device reliability. The absolute maximum ratings are stress ratings only.
2. All voltage values, except differential voltages, are given with respect to the GND pin.
3. Stresses beyond those listed under Absolute Maximum Ratings may cause permanent damage to the device.
4. Meets JEDEC standards JS-001-2012 and JESD 22-C101.

**THERMAL CHARACTERISTICS** (Note 5)

Parameter	Symbol	Min.	Max.	Unit
Junction-to-Ambient Thermal Impedance	$\theta_{JA}$		242	$^{\circ}\text{C/W}$
Junction-to-Top Thermal Impedance	$\theta_{JT}$		56	$^{\circ}\text{C/W}$

5.  $T_A=25^{\circ}\text{C}$  unless otherwise specified.

**RECOMMENDED OPERATING RANGES** (Note 6)

Parameter	Symbol	Min.	Max.	Unit
CS Pin Input Voltage	$V_{CS}$	0	0.8	V
Gate Pin Input Voltage	$V_{GATE}$	0	8.0	V
VDD Pin Input Voltage	$V_{DD}$	7.0	25	V
VS Pin Input Voltage	$V_{VS}$	1.6	3.2	V
AUX Pin Input Voltage	$V_{AUX}$	5.0	25	V

6. The Recommended Operating Conditions table defines the conditions for actual device operation. Recommended operating conditions are specified to ensure optimal performance. On Semiconductor does not recommend exceeding them or designing to Absolute Maximum Ratings.

## ELECTRICAL CHARACTERISTICS

V<sub>DD</sub>=12 V and T<sub>A</sub>=-40~85°C unless noted

Parameter	Test Conditions	Symbol	Min	Typ	Max	Unit
-----------	-----------------	--------	-----	-----	-----	------

### VDD Section

Turn-On Threshold Voltage		V <sub>DD-ON</sub>	16.5	17.5	18.5	V
Turn-Off Threshold Voltage		V <sub>DD-OFF</sub>	6.1	6.5	6.9	V
V <sub>DD</sub> Over-Voltage-Protection Level		V <sub>DD-OVP</sub>	26.5	28.0	29.5	V
V <sub>DD</sub> Over-Voltage-Protection De-bounce Time		t <sub>D-VDD-OVP</sub>	-	120	200	μs
Startup Current <sup>(8)</sup>		I <sub>DD-ST</sub>		-	20	μA
Operating Current		I <sub>DD-OP</sub>	1	1.4	1.7	mA
Deep Green-Mode Operating Current		I <sub>DD-DPGN</sub>	375	450	525	μA

### Oscillator Section

Maximum Voltage-Mode Quasi-Resonant Blanking Frequency		f <sub>OSC-BNK-MAX</sub>	70	76	82	kHz
Minimum Current-Mode Time-Out Blanking Frequency		f <sub>OSC-BNK-MIN</sub>	4.5	5.0	5.5	kHz
Deep Green Mode Operating Frequency <sup>(8)</sup>		f <sub>OSC-DPGN</sub>	320	420	480	Hz
Minimum CCM Prevention Frequency <sup>(7)</sup>		f <sub>OSC-CCM-PRVENT</sub>	18	21	24	kHz

### Over-Temperature Protection Section

Over-Temperature Protection Threshold <sup>(7)</sup>		T <sub>OTP-H</sub>		120		°C
Over-Temperature Protection Recovery Threshold <sup>(7)</sup>		T <sub>OTP-L</sub>		100		°C

Continues on next page...

## ELECTRICAL CHARACTERISTICS

V<sub>DD</sub>=12 V and T<sub>A</sub>=-40~85°C unless noted

Parameter	Test Conditions	Symbol	Min	Typ	Max	Unit
-----------	-----------------	--------	-----	-----	-----	------

### Voltage Sampling Section

Reference Voltage of Constant Voltage Feedback		V <sub>VR</sub>	2.475	2.500	2.525	V
VS Sampling Phase-Shift Resistance <sup>(7)</sup>		R <sub>VS-S/H</sub>		300		kΩ
VS Sampling Phase-Shift Capacitance <sup>(7)</sup>		C <sub>VS-S/H</sub>		5		pF
VS Sampling Blanking Time of High Level	I <sub>o</sub> over 100mA	t <sub>VS_BNK-H</sub>	1.65	1.80	2.00	μs
VS Sampling Blanking Time at CC Controlling		t <sub>VS_BNK-CC</sub>	2.05	2.20	2.35	μs
VS Discharging Time Judgment Threshold Voltage <sup>(7)</sup>		V <sub>VS-Offset</sub>	150	200	250	mV

### Voltage Sense Section

Temperature-Independent Bias Current		I <sub>TC</sub>	9.0	10.0	11.0	μA
VS Pin Source Current Threshold to Enable Brown-Out		I <sub>VS-BROWN-OUT</sub>	260	310	360	μA
Brown-Out De-bounce Time		t <sub>D-BROWN-OUT</sub>	12	17	22	ms
VS Pin Source Current Threshold to Enable Brown-In		I <sub>VS-BROWN-IN</sub>	405	475	545	μA
Brown-In De-bounce Time		N <sub>BROWN-IN</sub>	3	4	5	cycle
Output Over-Voltage-Protection of V <sub>s</sub> Sampling threshold		V <sub>VS-OVP</sub>	2.70	2.80	2.90	V
Output Over-Voltage-Protection Debounce Cycle Counts		N <sub>VS-OVP</sub>	3	4	5	Cycle
Output Low Level Under-Voltage-Protection of V <sub>s</sub> Sampling threshold		V <sub>VS-UVP</sub>	1.50	1.60	1.70	V
Output Under-Voltage Protection Debounce Time		t <sub>VS-UVP</sub>	30	40	50	ms

### No-Load Control Section

Deep Green Mode Entry Threshold Voltage of COMV <sup>(7)</sup>		V <sub>COMV-CV-DPGN-ENTRY</sub>	0.4	0.5	0.6	V
Criteria to Enter Deep Green Mode		V <sub>VS_EAV_Hi</sub>	2.550	2.600	2.650	V
Deep Green Mode Band-Band Control High Threshold Voltage		V <sub>VS-EAV-H</sub>		2.550		V
Deep Green Mode Band-Band Control Low Threshold Voltage		V <sub>VS-EAV-L</sub>		2.525		V
Criteria to Exit Deep Green Mode		V <sub>VS_EAV_Lo</sub>	2.425	2.450	2.475	V
Dynamic Event Trigger Threshold Voltage in Deep Green Mode		V <sub>VS-EAV-DYN</sub>	2.375	2.400	2.425	V
Minimum On-time at 264VAC	C <sub>GATE</sub> =1nF	t <sub>ON-MIN-264VAC</sub>	450	500	550	ns
Minimum On-time at 230VAC	C <sub>GATE</sub> =1nF	t <sub>ON-MIN-230VAC</sub>	500	550	600	ns
Minimum On-time at 115VAC	C <sub>GATE</sub> =1nF	t <sub>ON-MIN-115VAC</sub>	1250	1350	1450	ns
Minimum On-time at 90VAC	C <sub>GATE</sub> =1nF	t <sub>ON-MIN-90VAC</sub>	1500	1650	1800	ns

Continues on next page...

## ELECTRICAL CHARACTERISTICS

$V_{DD}=12\text{ V}$  and  $T_A=-40\sim 85^\circ\text{C}$  unless noted.

Parameter	Test Conditions	Symbol	Min	Typ	Max	Unit
-----------	-----------------	--------	-----	-----	-----	------

### Current Feedback Section

Reference Voltage of Constant Current Feedback		$V_{CCR}$	1.19	1.2	1.21	V
VCS Peak Value Amplifying Gain <sup>(7)</sup>		$A_{PK}$		3.9		V/V
Attenuator ratio of Constant Current Feedback Loop <sup>(7)</sup>		$A_{V-CC}$		1/3.5		V/V

### Current Sense Section

Current Limit Threshold Voltage		$V_{CS-LIM}$	0.70	0.75	0.80	V
GATE Output Turn-Off Delay <sup>(7)</sup>		$t_{PD}$		100		ns
Leading-Edge Blanking Time <sup>(7)</sup>		$t_{LEB}$	150	200	250	ns

### GATE Section

Maximum On-Time		$t_{ON-MAX}$	15	17	20	$\mu\text{s}$
Gate Output Voltage Low		$V_{GATE-L}$	0		1.5	V
Internal Gate PMOS Driver ON		$V_{DD-PMOS-ON}$	7.0	7.5	8.0	V
Internal Gate PMOS Driver OFF		$V_{DD-PMOS-OFF}$	9.0	9.5	10.0	V
Gate Output Clamping Voltage	VDD level higher than 9V	$V_{GATE-CLAMP}$	7.0	7.5	8.0	V

### AUX Section

Dynamic Response Enhancement (DRE) function trigger threshold current at AUX		$I_{DRE-DET}$	110	140	170	$\mu\text{A}$
CDC compensation voltage at internal reference	$R_{CDC}$ is 330k $\Omega$	$V_{VS-CDC4}$	0.298	0.320	0.343	V
	$R_{CDC}$ is 560k $\Omega$	$V_{VS-CDC3}$	0.223	0.240	0.257	V
	$R_{CDC}$ is 920k $\Omega$	$V_{VS-CDC2}$	0.149	0.160	0.171	V
	$R_{CDC}$ is 1.3M $\Omega$	$V_{VS-CDC1}$	0.074	0.080	0.086	V

**Notes:**

7. Guaranteed by Design.

8.  $T_A$  guaranteed range at 25°C



## Typical Performance Characteristics

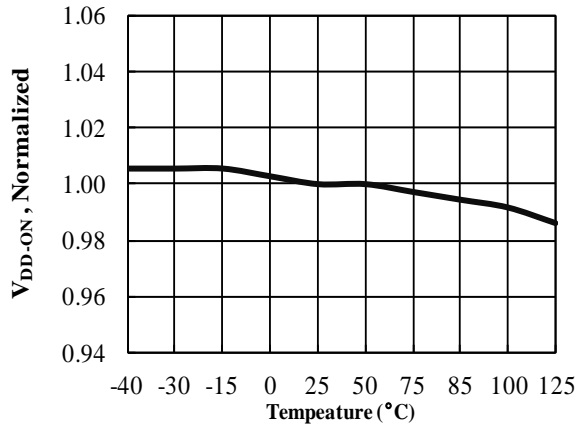


Figure 3. Turn-On Threshold Voltage ( $V_{DD-ON}$ ) vs. Temperature

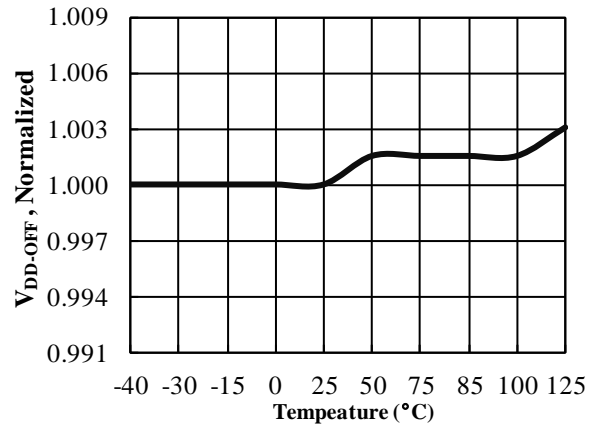


Figure 4. Turn-Off Threshold Voltage ( $V_{DD-OFF}$ ) vs. Temperature

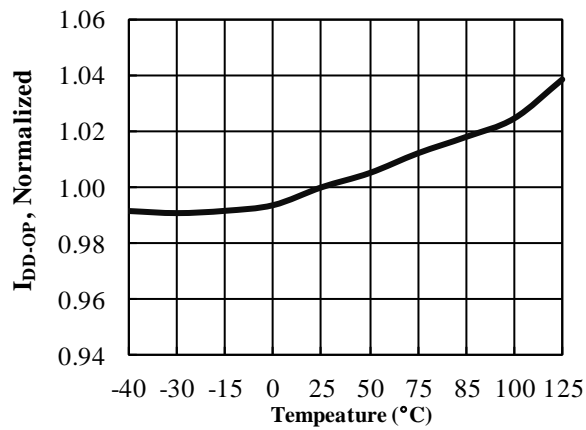


Figure 5. Operating Supply Current ( $I_{DD-OP}$ ) vs. Temperature

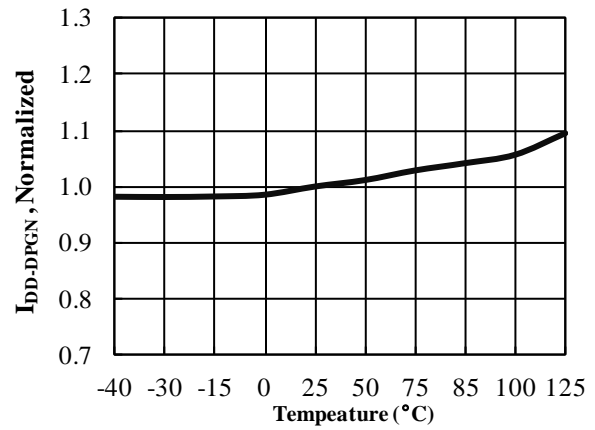


Figure 6. Deep Green Mode Operation Current ( $I_{DD-DPGN}$ ) vs. Temperature

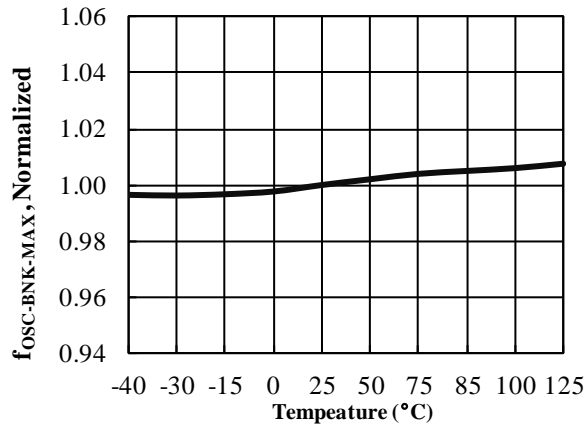


Figure 7. Maximum Operation Frequency of QR Blanking Time ( $f_{OSC-BNK-MAX}$ ) vs. Temperature

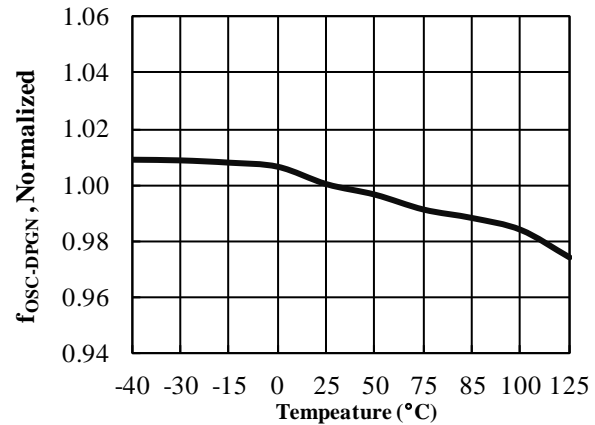


Figure 8. Deep Green Mode Operation Frequency ( $f_{OSC-DPGN}$ ) vs. Temperature

## Typical Performance Characteristics

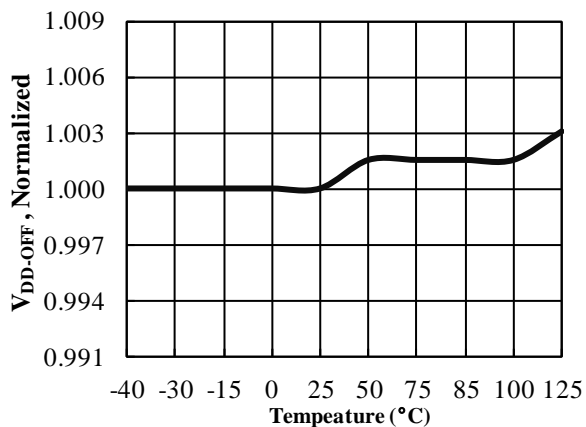


Figure 9. Reference Voltage of CV Feedback ( $V_{VR}$ ) vs. Temperature

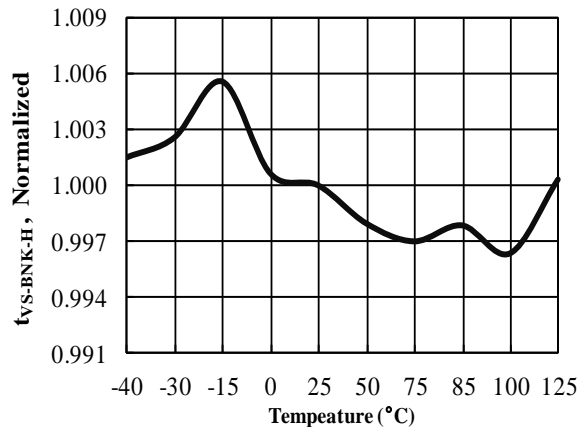


Figure 10. Vs Sampling Blanking Time ( $t_{VS-BNK-H}$ ) vs. Temperature

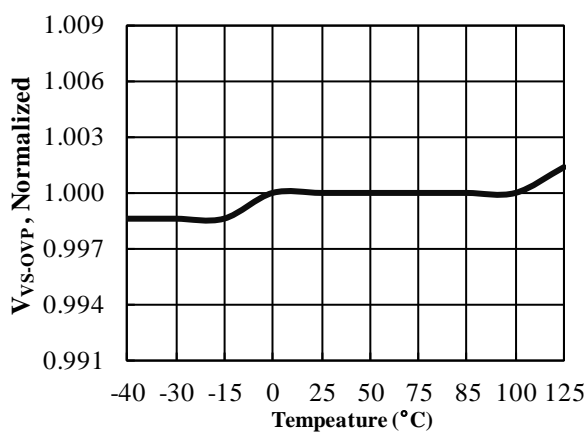


Figure 11. Output Over-Voltage Protection of Vs sampling Threshold ( $V_{VS-OVP}$ ) vs. Temperature

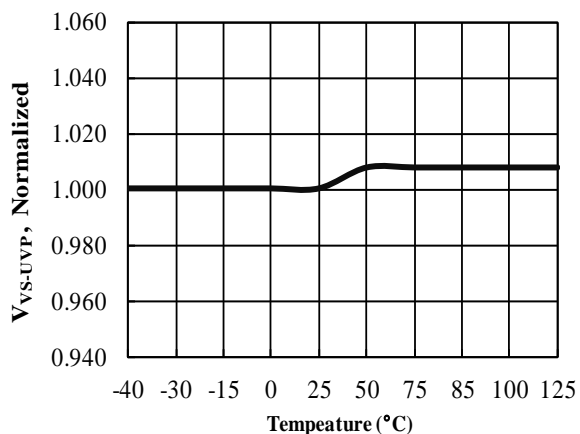


Figure 12. Output Under-Voltage of Vs sampling Threshold ( $V_{VS-UV}$ ) vs. Temperature

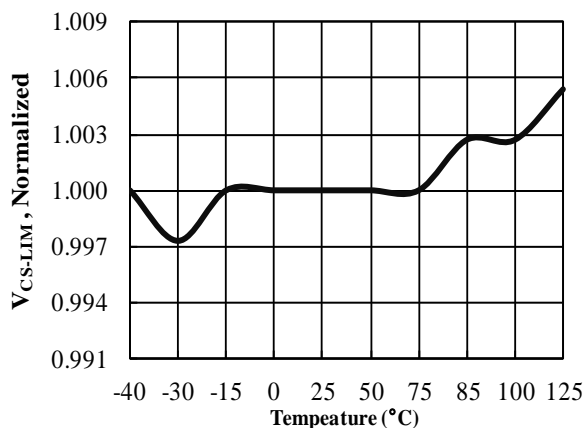


Figure 13. Current Limit Threshold Voltage ( $V_{CS-LIM}$ ) vs. Temperature

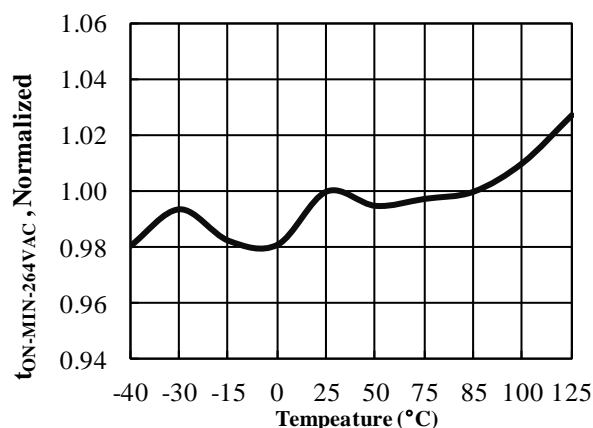


Figure 14. Minimum Gate Turn On time ( $t_{ON-MIN-264VAC}$ ) vs. Temperature

Typical Performance Characteristics

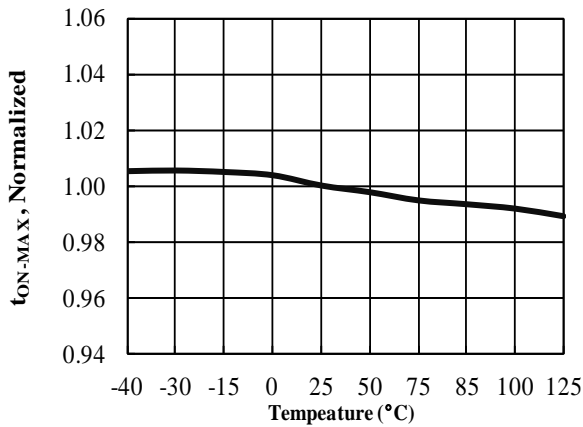


Figure 15. Maximum Gate Turn On Time ( $t_{ON-MAX}$ ) vs. Temperature

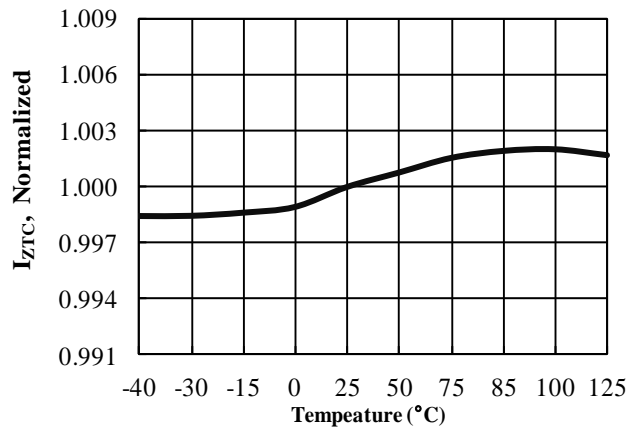


Figure 16. Dynamic trigger current threshold ( $I_{ZTC}$ ) vs. Temperature

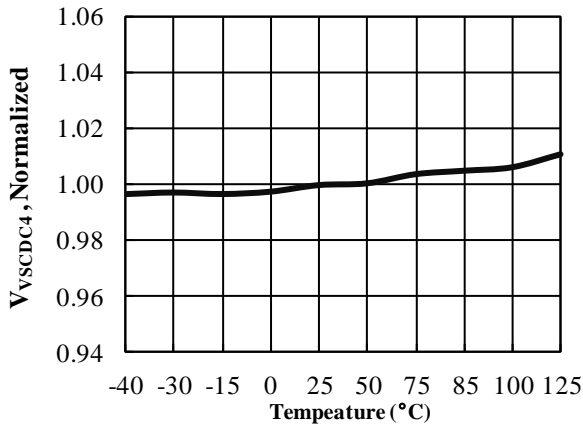


Figure 17. Cable Compensation Level 4 Reference Voltage ( $V_{VS-CDC4}$ ) vs. Temperature

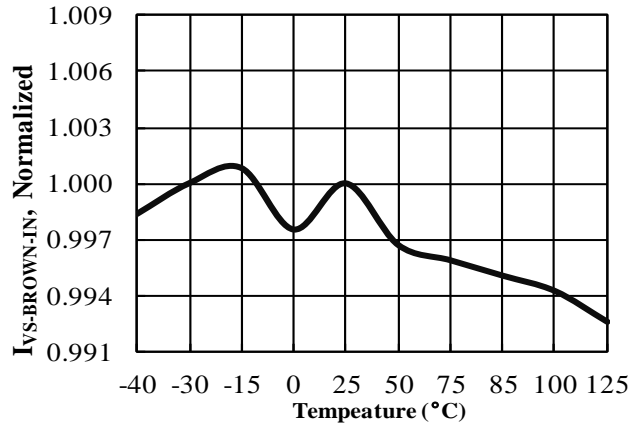


Figure 18. Brown In Threshold Current ( $I_{VS-BROWN-IN}$ ) vs. Temperature

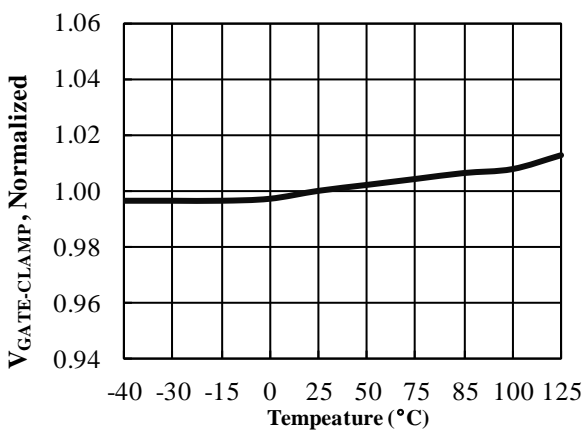


Figure 19. Clamp Voltage ( $V_{GATE-CLAMP}$ ) vs. Temperature

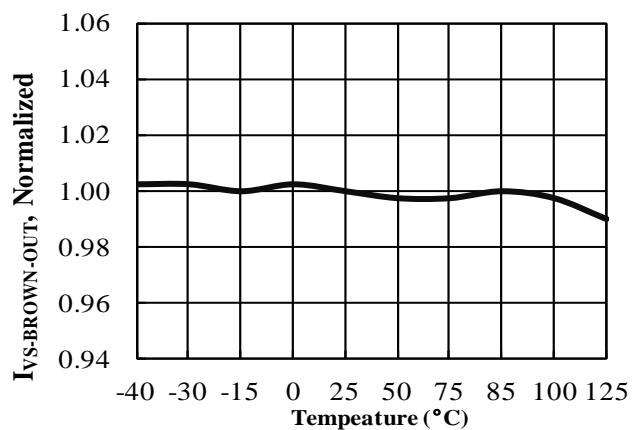


Figure 20. Brown Out Threshold Current ( $I_{VS-BROWN-OUT}$ ) vs. Temperature

# FAN105BM6X

## Typical Performance Characteristics

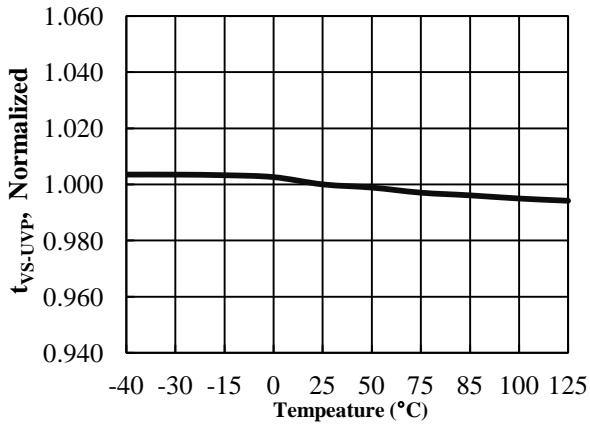


Figure 21. Blanking time of VSUVP ( $t_{VS-UVP}$ ) vs. Temperature

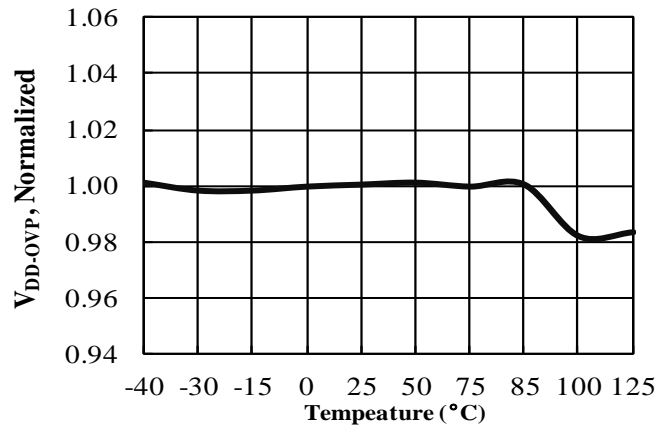


Figure 22. VDD Over Voltage Protection Threshold ( $V_{DD-OVP}$ ) vs. Temperature

## Functional Description

FAN105B is an offline PWM and Primary-Side Regulated (PSR) fly-back controller that can simplify feedback circuit and secondary side circuit compare to traditional fly-back converter. In addition, FAN105B detects Quasi-Resonant valley switching to minimize the switching loss and get better EMI performance.

FAN105B modulates pulse width and switching frequency based on feedback signal auxiliary winding signal (VS) and current sense signal (CS). Extremely accurately Constant Voltage(CV) with Cable Drop Compensation (CDC) and Constant Current (CC) could meet strict requirement from market. The CV and CC output characteristic is shown as Figure 23. There are 4 levels (80mV - 320mV) choices in CDC compensation weighting that is easily set via external SMD resistor.

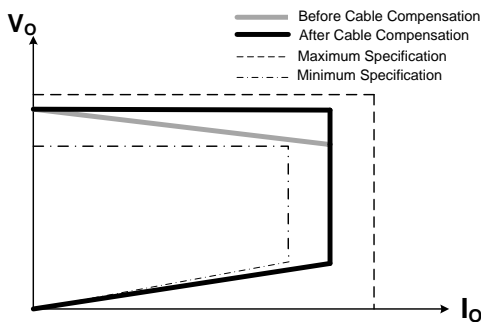


Figure 23. CV with CDC and CC V/I Curve at the Cable End

FAN105B implements DeeP GreeN mode (DPGN) with lowest switching frequency, limits IC current consumption (450µA) for excellent system standby power performance. Furthermore, the system design allows two kinds of startup circuit with resistor or high voltage FET.

Protections are : over/under voltage protection (VSOVP, VSUVP), Brown In and Brown Out, cycle by cycle over current protection(OCP), current sense resistor short protection, secondary rectifier short protection.

## Basic CV/CC Control Principle

Figure 24 shows the circuit diagram of a PSR fly-back converter, FAN105B estimates output current through primary side peak current from CS, output voltage via auxiliary winding signal that proportional to secondary side voltage, the current and voltage sampling are shown in Figure 25. Generally, Discontinuous Conduction Mode (DCM) with valley switching operation is preferred for PSR since it allows better output regulation. The operation principles of DCM/BCM flyback converter are as follows:

During the MOSFET turn on time ( $t_{ON}$ ), input voltage ( $V_{DL}$ ) is applied across the primary-side inductor ( $L_m$ ). Then MOSFET current ( $I_{DS}$ ) increases linearly from zero to the peak value ( $I_{PK}$ ). Meanwhile, the energy is drawn from the input and stored in the inductor.

When the MOSFET is turned off, the energy stored in the inductor forces the secondary diode ( $D_{sec}$ ) to turn on. While the diode is conducting, the output voltage ( $V_o$ ), together with diode forward voltage drop ( $V_F$ ), are applied across the secondary-side inductor ( $L_m \times N_s^2 / N_p^2$ ) and the diode current ( $I_D$ ) decreases linearly from the peak value ( $I_{PK} \times N_p / N_s$ ) to zero. At the end of inductor current discharge time ( $t_{DIS}$ ), all the energy stored in the inductor has been delivered to the output.

When the diode current reaches zero, the transformer auxiliary winding voltage ( $V_{Aux}$ ) begins to oscillate by the resonance between the primary-side inductor ( $L_m$ ) and the effective capacitor loaded across MOSFET.

During the inductor current discharge time, the sum of output voltage and diode forward-voltage drop is reflected to the auxiliary winding side as  $(V_o + V_F) \times N_{Aux} / N_s$ . Since the diode forward-voltage drop decreases as current decreases, the auxiliary winding voltage reflects the output voltage best at the end of diode conduction time, where the diode current diminishes to zero. By sampling the winding voltage at the end of the diode conduction time, the output voltage information can be obtained. The internal error amplifier for output voltage regulation (EAV) compares the sampled voltage with internal precise reference to generate error voltage (COMV), which determines the duty cycle of the MOSFET in CV Mode.

The output current is obtained by averaging the triangular output diode current area over a switching cycle as:

$$I_o = \langle I_D \rangle_{AVG} = \frac{1}{2} \cdot I_{PK} \cdot \frac{N_p}{N_s} \cdot \frac{T_{DIS}}{T_s} \quad (1)$$

The internal FAN105B circuits identify the peak value of the drain current with a peak detection circuit and calculate the output current using the inductor discharge time ( $t_{DIS}$ ) and switching period ( $t_s$ ). This output information (EAI) is compared with internal precise reference to generate error voltage (COMI), which determines the duty cycle of the MOSFET in CC Mode. With TRUECURRENT® technique, constant output current can be precisely controlled.

With a given current sensing resistor, the output current can be programmed as:

$$I_o = \frac{1}{6} \cdot \frac{N_p}{N_s} \cdot \frac{V_{CCR}}{R_{CS}} \quad (2)$$

Of the two error voltages, COMV and COMI, the smaller one determines the duty cycle. During Constant Voltage regulation, COMV determines the duty cycle while COMI is saturated to HIGH. During Constant Current regulation, COMI determines the duty cycle while COMV is saturated to HIGH.

# FAN105BM6X

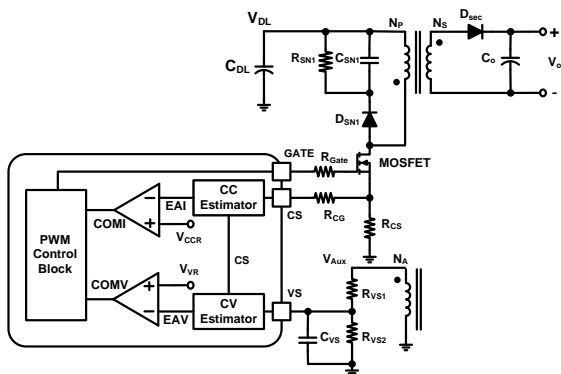


Figure 24. Simplified PSR Flyback Converter Circuit

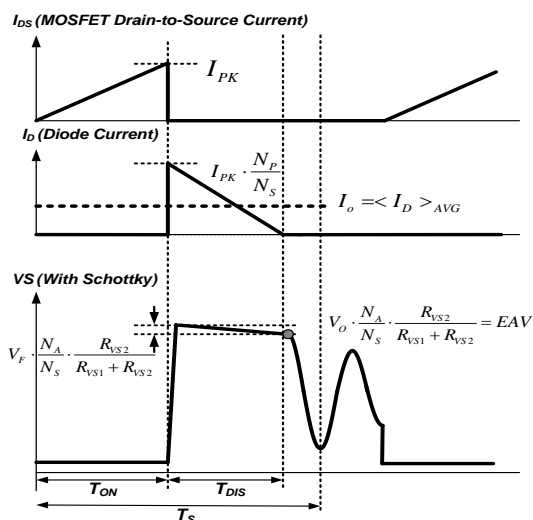


Figure 25. Cycling Current and VS Sampling in DCM

## Quasi-Resonant Valley Switch

FAN105B Build-In Quasi-Resonant valley detecting function and inductor discharging time detecting function. During MOSFET turn off period, FAN105B checked falling of VVS, TDIS information will update as falling of VVS checked. FAN105B keep monitor both VVS and IVS after TDIS checked. FAN105B maximum period of MOSFET on time and off time could be reach 45µs, it was depending on whether valley checked. Quasi-Resonant valley switching could minimize MOSFET switching loss during switch on, meanwhile, to eliminate EMI and Common mode switching component noise. Charger system would be getting better efficiency than non-valley switching methodology.

## Output Voltage Sampling

VS voltage which is reflected auxiliary winding and proportional to output voltage. Therefore, It is possible to regulate output voltage by sensing VS voltage. Figure 26 shown VS sampling waveform with secondary rectifier that using Schottky diode or Synchronous Rectifier (SR).

In order to regulate output voltage in accurately range, FAN105B build-in VS sampling methodology for signal like Figure 26 showed, FAN105B samples and hold VS voltage

as EAV at timing like gray point showed. Base on EAV level to regulate Pulse width to achieve estimation output voltage.

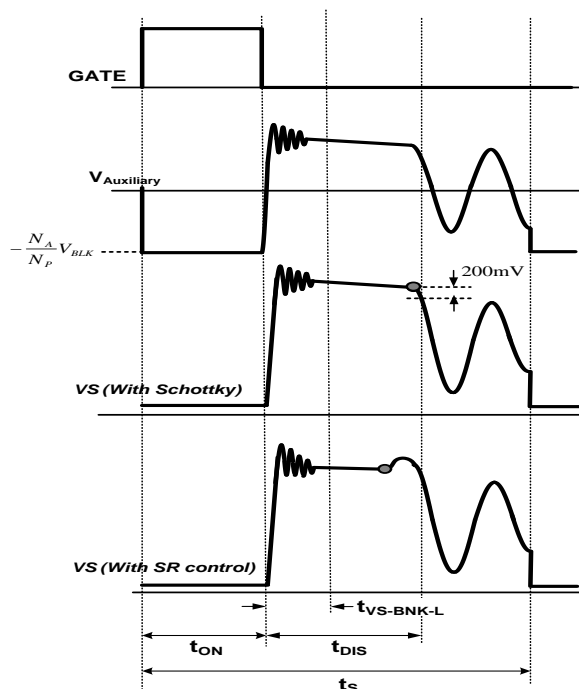


Figure 26. VS sampling with Diode or Synchronous Rectifier

A leading edge blanking time ( $t_{VS-BNK-H/L}$ ) start from primary switch turned off. Most of TA design have VS oscillation after primary switch turned off, that is caused by the resonance of leakage inductance and parasitic capacitance at transformer. In order to avoid VS sampling procedure get impacted by that ringing, the oscillation should be settle before  $t_{VS-BNK-L}$  ended as Figure 26 showed.  $t_{DIS}$  is secondary rectifier current discharging time which recommend better design is longer than  $t_{VS-BNK-H}$  during minimum on time controlling.  $t_{DIS}$  is predictable by following formula:

$$t_{DIS} = \frac{V_{DL}(t_{ON-MIN} + t_{OFF-DELAY})}{(V_o + V_D)} \cdot \frac{N_S}{N_P} \quad (3)$$

Where parameter :  $t_{OFF-DELAY}$  is switch turn off delay time that level is changing in differences system criteria,  $t_{ON-MIN}$  is minimum turn on time in design that should consider propagation delay from IC Gate to switch Gate.

Output voltage can be describe by below equation:

$$V_o = V_{VR} \cdot \left(1 + \frac{R_{VS1}}{R_{VS2}}\right) \cdot \frac{N_S}{N_A} \quad (4)$$

## Deep Green Mode (DPGN) Operation in CV mode

FAN105B integrated mWSaver® technology that minimize current consumption and frequency at DPGN mode is fixed to minimum switching frequency ( $f_{OSC-DPGN}$ ) and variable Pulse width based on VS sampling voltage (EAV).

## FAN105BM6X

$V_{VS}$  regulated boundary are between  $V_{VS-EAV-H}$  and  $V_{VS-EAV-L}$ . After exit DPGN, internal regulation reference voltage was changed to  $V_{VR}$ .

FAN105B DPGN entry and exit criteria showed as below:

□ DPGN entry need to meet both criteria as below:

- Minimum frequency ( $f_{OSC-MIN}$ ) operation continues over than  $N_{DPGN-Entry}$  switching cycles.
- $EAV > V_{VS-EAV-H}(2.550V)$ .

□ DPGN exit criteria, meet one of below criteria:

- $EAV < V_{VS-EAV-L}(2.525V)$  and maximum on time at DPGN.
- $EAV < V_{VS-EAV-DYN}(2.4V)$ .

During the DPGN mode controlling, FAN105B decreases the operating current down to  $450\mu A$ . Therefore, the standby power could meet international standard requirement when work with flexible start up circuit, designer have flexible start up circuit that HV FET or start up resistor depending on cost and better standby power consideration

### Cable Drop Compensation (CDC)

FAN105B integrates cable drop compensation function and the compensation weighting is calculated based on  $t_{DIS}$ , current sense voltage ( $V_{CS}$ ), and CDC setting resistor ( $R_{CDC}$ ) needed to between VDD and AUX pin. During startup, as VDD reached  $V_{DD-ON}$ , CDC programming block detects AUX pin current and determine cable drop compensation weighting based on current weighting of AUX pin. Once finished CDC compensation weighting detecting, the information will stored until shunt-down by protections or VDD lower than  $V_{DD-OFF}$ . The CDC weighting automatic detected input current during start up. which provides a constant output voltage at the end of the cable over the entire load range in CV Mode. The table shows the compensation weighting with corresponding  $R_{CDC}$  setting as below:

CDC Weighting and $R_{CDC}$ Setting		
$R_{CDC}$	Label	$V_{VS}$ Compensation weighting
1.3M $\Omega$	$V_{VS-CDC1}$	0.08V
920k $\Omega$	$V_{VS-CDC2}$	0.16V
560k $\Omega$	$V_{VS-CDC3}$	0.24V
330k $\Omega$	$V_{VS-CDC4}$	0.32V

TA designer can easily to set up CDC weighting via choose  $R_{CDC}$  following above table. In the table, resistance of  $R_{CDC}$  is recommended for corresponding compensation level. Cable drop compensation voltage at output is proportional to  $V_{VS}$  compensation weighting that is internal referce voltage for CDC compensation.

### Programmable Brown In/ Brown Out

FAN105B implement Brown out and Brown In through high side resistor setting at VS PIN. In actual system operation, VS PIN is drain a current ( $I_{VS}$ ) that proportional to line voltage during MOSFET turns on.  $I_{VS}$  could predict by below equation:

$$I_{VS} = V_{DL} \cdot \frac{N_A}{N_P} \cdot \frac{1}{R_{VS1}} \quad (5)$$

### Operating Current

The operating current in FAN105B is as small as 1.4mA. The small operating current results in higher efficiency and reduces the  $V_{DD}$  hold-up capacitance requirement. During DPGN mode, the FAN105B consumption current is reduced to  $450\mu A$ , assisting the power supply meet standby power standard requirements.

### Protections

The FAN105B self-protection includes  $V_{DD}$  Over-Voltage-Protection ( $V_{DD}$  OVP), Internal Chip Over-Temperature-Protection (OTP), VS Over-Voltage Protection (VSOVP), VS Under-Voltage Protection (VSUVP), CS pin Protection(CSP), Brownout and Brown In protection, and all of protection are implemented as Auto Restart(AR) mode.

When When an Auto-Restart Mode protection is triggered, switching is terminated and the MOSFET remains off, causing  $V_{DD}$  to drop till  $V_{DD-OFF}$  and shut-down the system then all protections are reset. After then  $V_{DD}$  will be charged again by the input AC voltage and once touch  $V_{DD-ON}$  then switching resumes. This is the reason why it is called Auto-Restart, resumes switching automatically.

#### $V_{DD}$ Over-Voltage-Protection( $V_{DD}$ OVP)

When  $V_{DD}$  is raised up to higher level by some reasons, transformer  $V_{DD}$  winding turns are too many, load regulation is not good between transformer winding, VS information is not available anyhow and so on, and touches  $V_{DD-OVP}$ , then FAN105B stops switching and protects IC from higher  $V_{DD}$  voltage. This is different then output voltage is over than pre determined level.

#### VS Under-Voltage Protection (VSUVP)

FAN105B bulid-in VSUVP function that prevent TA keep deliver power to phone side when output voltage is under the set voltage at VS pin. VSUVP has a 40ms de-bounce time and once VDD touches  $V_{DD-ON}$ , during the later 40ms VSUVP is disabled because VSUVP should not be triggered during the start up. VSUVP level can be calculated as below:

$$V_{O-UVVP} = V_{VS-UVVP} \cdot \left(1 + \frac{R_{VS1}}{R_{VS2}}\right) \cdot \frac{N_S}{N_A} \quad (6)$$

#### VS Over-Voltage Protection (VSOVP)

The VSOVP is designed to prevent TA output voltage is over then the rating of used components, like capacitor. VSOVP has 4 switching cycles of denounce time and that prevent mis-triggered of VSOVP by switching noise. The protection level is changed in proportional to the CDC

# FAN105BM6X

weighting. VSOVP trigger level can be illustrates as following formula :

$$V_{O-OVP} = (V_{VS-OVP} + V_{VS-CD} \cdot \frac{I_{O-CC}}{I_{O-CC}}) \cdot (1 + \frac{R_{VS1}}{R_{VS2}}) \cdot \frac{N_S}{N_A} \quad (7)$$

## CS pin Protection(CSP)

In order to prevent MOSFET current over than safe operating area, FAN105B build-in cycle by cycle over current protection. The protection could protect MOSFET damaged by saturation current and CS pin sensing error. As CS PIN signal meet below conditions FAN105B will turn off Gate immediately. Current Sensing Protection (CSP) criteria shows as below:

- $V_{CS} < 0.2V$  after switching turn on 4.5us at low line or 1.5us at high line.
- $V_{CS} > 1.5V$

## Over-Temperature Protection(OTP)

In order to guarantee FAN105B works within recommended temperature. FAN105B build-in chip Over-Temperature – Protection (OTP). As chip junction temperature over threshold  $T_{OTP-H}$  IC immediately terminated Gate switching signal until chip junction temperature recover to  $T_{OTP-L}$ .

## Start Up Function With AUX

FAN105B supports high voltage start up with HV FET that can make better standby power and shorter start up time. Figure 27 shows start up controlling function block. Figure 28 shows start up relative signal sequence with AUX controlling.

At system power on moment, initial VDD voltage is zero, internal PMOS switch is turn on and external HV FET also turn on,  $C_{VDD}$  is charged through HV FET till VDD reach  $V_{DD-ON}$ . While Internal PMOS switch S1 turn off and VGS of HV FET will close to internal clamping voltage ( $V_{AUX-CL}$ ) which less than HV FET VGS turn on threshold. Meanwhile VDD energy supplement is turn to auxiliary winding. The voltage gap between VDD and VAUX is keep at 5V till controller shut-down by protection or VDD touching  $V_{DD-OFF}$ .

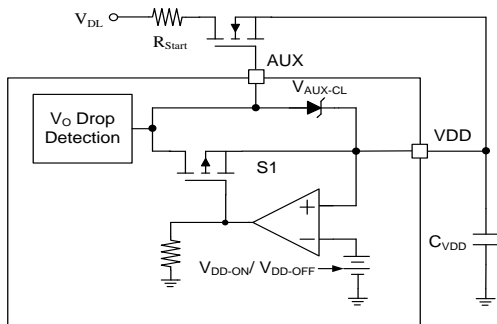


Figure 27. Internal function for Start Up of AUX PIN

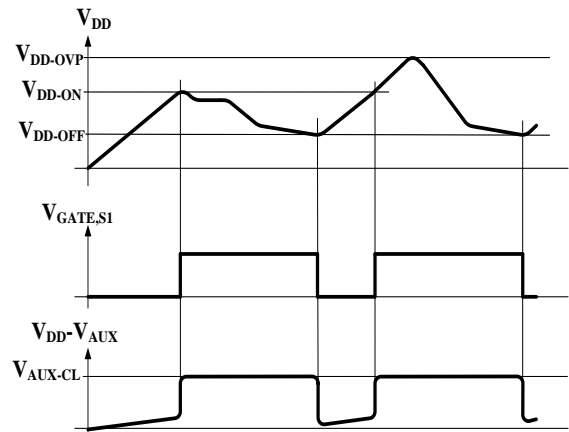


Figure 28. Start Up Sequence With AUX Controlling

## Dynamic Response Enhancement (DRE) With AUX

PSR flyback converter regulates output voltage within requirement specification through detects VS signal which proportional to output voltage, However VS signal can only detects when system switched. In order to get better standby power performance, the switching frequency is decreases to quite low frequency, it can not maintaining out voltage as load suddenly increases from extremely light load to heavy load during minimum frequency operation. Therefore, FAN105B build in a Dynamic Response Enhancement (DRE) function to detects output voltage dropping immediately when FAN105B pair with FAN6292B. Figure 29 shows DRE function block. Figure 30 shows DRE function relative signal working sequence. When output voltage undershoot is acknowledged via FAN6292B VIN pin, BLD/AUX pin pull-down current via S2 switch to inform undershoot to FAN105B via a photo-coupler. Once FAN105B sensed AUX current higher than  $I_{DRE-DET}$ , the switching frequency is increases immediately.

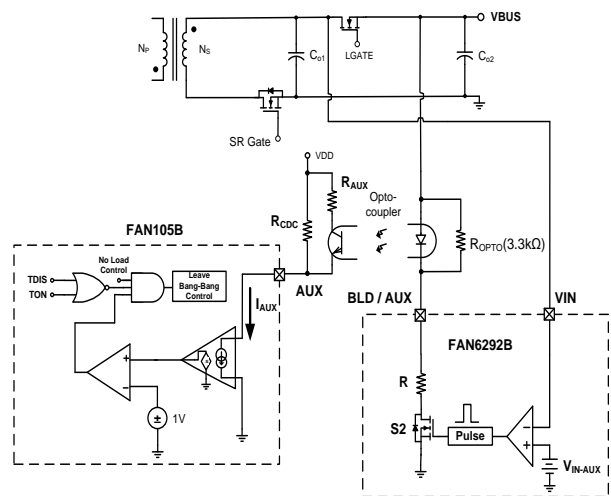


Figure 29. Internal function for Start Up of AUX PIN



# FAN105BM6X

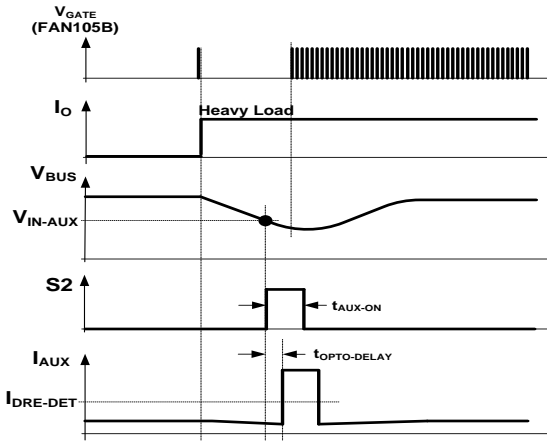
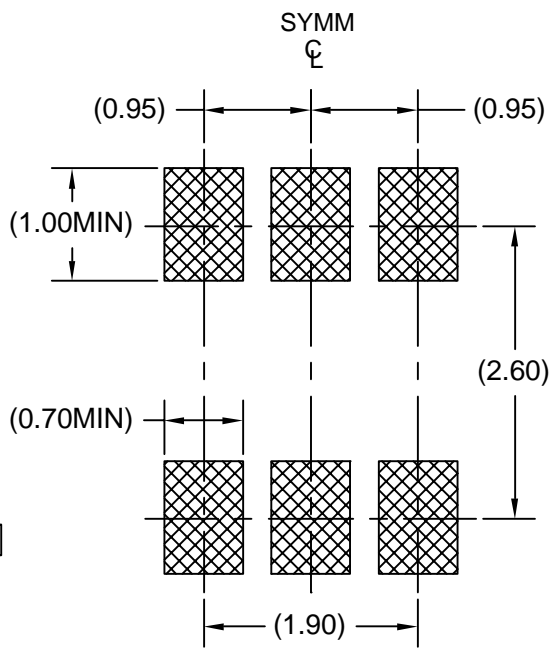
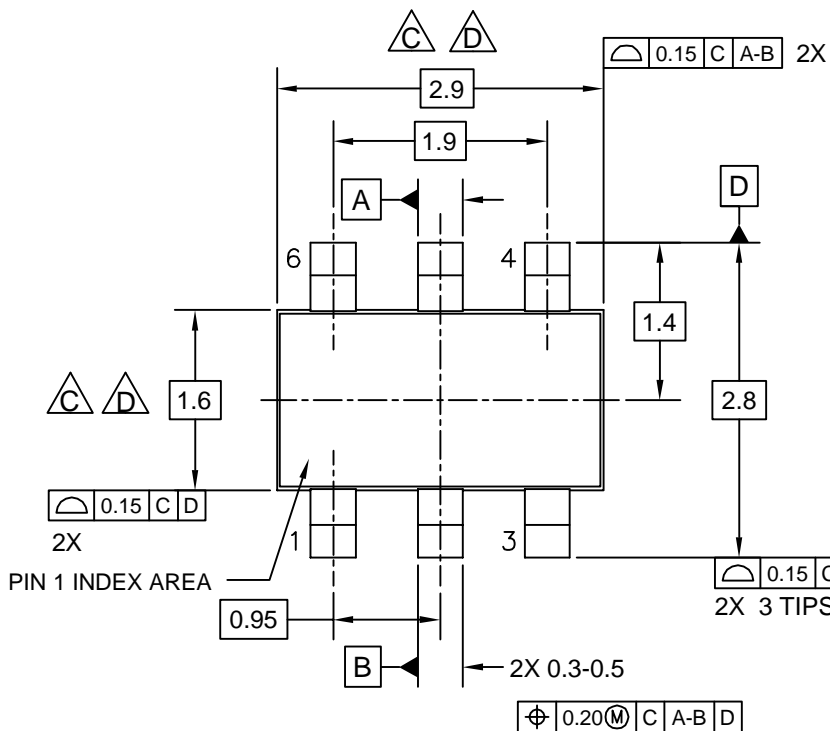


Figure 30. DRE function Detecting Sequence

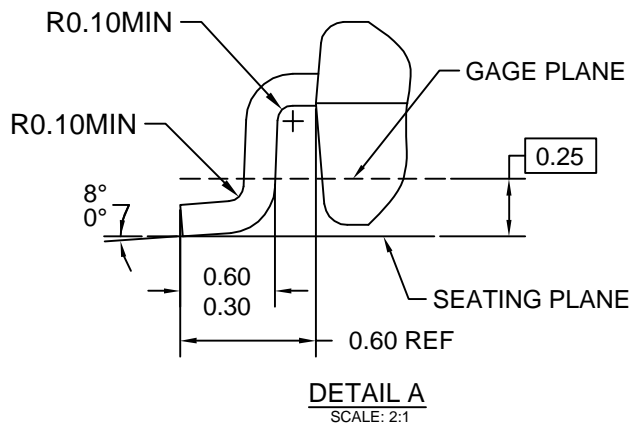
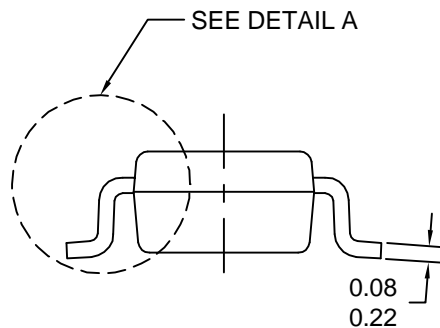
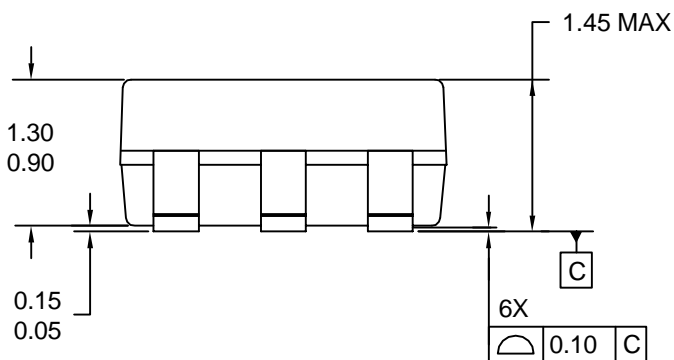
## Accurately Constant Current (CC) Compensation

FAN105B provides accurate constant current with universal line voltage range. In order to achieve this accurately output current regulated, FAN105B build in circuits that compensate a DC level at CS signal based on difference line voltage. It could avoid output current gap of difference line voltage during constant current controlling. For noise immunity, the recommendation of CS pin series resistor is 10Ω.

REVISIONS				
LTR	DESCRIPTION	E.C.N.	DATE	BY/APPD
A	RELEASE TO DOCUMENT CONTROL	ECN-MKT-MA06E	11/4/2006	H.ALLEN
2	DWG UPDATED TO CONFORM TO MO178		5 JULY 07	L.HUEBENER



LAND PATTERN RECOMMENDATION



NOTES:

- A. THIS PACKAGE CONFORMS TO JEDEC MO-178, VARIATION AB.
- B. ALL DIMENSIONS ARE IN MILLIMETERS.
- C. DOES NOT INCLUDE MOLD FLASH, PROTRUSIONS OR GATE BURRS.
- D. DOES NOT INCLUDE INTERLEAD FLASH OR PROTRUSIONS.
- E. DIMENSIONS AND TOLERANCING AS PER ASME Y14.5M-1994
- F. DRAWING FILE NAME: MA06EREV2

APPROVALS		DATE			
DRAWN:	L.HUEBENER	5 JULY 07			
CHECKED:	H.ALLEN	17 JULY 07			
APPROVED:					
6LD,SOT23,JEDEC MO-178 VARIATION AB, 1.6MM WIDE					
		SCALE	SIZE	DRAWING NUMBER	REV
		1:1	NA	MKT-MA06E	2
FORMERLY: N/A			SHEET: 1 OF 1		

ON Semiconductor and  are trademarks of Semiconductor Components Industries, LLC dba ON Semiconductor or its subsidiaries in the United States and/or other countries. ON Semiconductor owns the rights to a number of patents, trademarks, copyrights, trade secrets, and other intellectual property. A listing of ON Semiconductor's product/patent coverage may be accessed at [www.onsemi.com/site/pdf/Patent-Marking.pdf](http://www.onsemi.com/site/pdf/Patent-Marking.pdf). ON Semiconductor reserves the right to make changes without further notice to any products herein. ON Semiconductor makes no warranty, representation or guarantee regarding the suitability of its products for any particular purpose, nor does ON Semiconductor assume any liability arising out of the application or use of any product or circuit, and specifically disclaims any and all liability, including without limitation special, consequential or incidental damages. Buyer is responsible for its products and applications using ON Semiconductor products, including compliance with all laws, regulations and safety requirements or standards, regardless of any support or applications information provided by ON Semiconductor. "Typical" parameters which may be provided in ON Semiconductor data sheets and/or specifications can and do vary in different applications and actual performance may vary over time. All operating parameters, including "Typicals" must be validated for each customer application by customer's technical experts. ON Semiconductor does not convey any license under its patent rights nor the rights of others. ON Semiconductor products are not designed, intended, or authorized for use as a critical component in life support systems or any FDA Class 3 medical devices or medical devices with a same or similar classification in a foreign jurisdiction or any devices intended for implantation in the human body. Should Buyer purchase or use ON Semiconductor products for any such unintended or unauthorized application, Buyer shall indemnify and hold ON Semiconductor and its officers, employees, subsidiaries, affiliates, and distributors harmless against all claims, costs, damages, and expenses, and reasonable attorney fees arising out of, directly or indirectly, any claim of personal injury or death associated with such unintended or unauthorized use, even if such claim alleges that ON Semiconductor was negligent regarding the design or manufacture of the part. ON Semiconductor is an Equal Opportunity/Affirmative Action Employer. This literature is subject to all applicable copyright laws and is not for resale in any manner.

## PUBLICATION ORDERING INFORMATION

### LITERATURE FULFILLMENT:

Literature Distribution Center for ON Semiconductor  
19521 E. 32nd Pkwy, Aurora, Colorado 80011 USA  
**Phone:** 303-675-2175 or 800-344-3860 Toll Free USA/Canada  
**Fax:** 303-675-2176 or 800-344-3867 Toll Free USA/Canada  
**Email:** [orderlit@onsemi.com](mailto:orderlit@onsemi.com)

**N. American Technical Support:** 800-282-9855 Toll Free  
USA/Canada  
**Europe, Middle East and Africa Technical Support:**  
Phone: 421 33 790 2910  
**Japan Customer Focus Center**  
Phone: 81-3-5817-1050

**ON Semiconductor Website:** [www.onsemi.com](http://www.onsemi.com)  
**Order Literature:** <http://www.onsemi.com/orderlit>  
For additional information, please contact your local  
Sales Representative