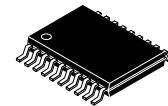


Octal Buffer/Line Driver with 3-STATE Outputs

74VHCT244A



TSSOP20, 4.4x6.5
CASE 948AQ

General Description

The VHCT244A is an advanced high speed CMOS octal bus transceiver fabricated with silicon gate CMOS technology. It achieves high speed operation similar to equivalent Bipolar Schottky TTL while maintaining the CMOS low power dissipation. The VHCT244A is a noninverting 3-STATE buffer having two active-LOW output enables. This device is designed to be used as 3-STATE memory address drivers, clock drivers, and bus oriented transmitter/receivers.

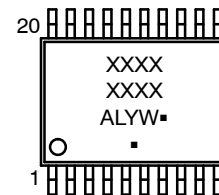
Protection circuits ensure that 0 V to 5.5 V can be applied to the input and output (*) pins without regard to the supply voltage. These circuits prevent device destruction due to mismatched supply and input/output voltages. This device can be used to interface 5 V to 3 V systems and two supply systems such as battery back up.

*Outputs in OFF-State.

Features

- High Speed: t_{PD} 5.9 ns (typ) at $V_{CC} = 5$ V
- Power Down Protection is Provided on Inputs and Outputs
- Low Power Dissipation: $I_{CC} = 4 \mu A$ (max) @ $T_A = 25$ °C
- Pin and Function Compatible with 74HCT244
- This is a Pb-Free Device

MARKING DIAGRAMS

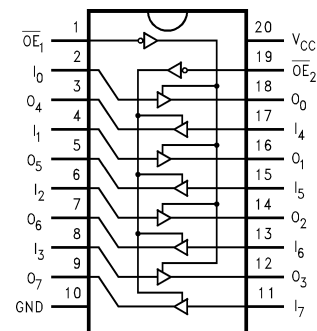


TSSOP-20

- XXXXXX = Specific Device Code
- A = Assembly Location
- L = Wafer Lot
- Y = Year
- W = Work Week
- = Pb-Free Package

(Note: Microdot may be in either location)

CONNECTION DIAGRAM



PIN DESCRIPTION

Pin Names	Description
$\overline{OE}_1, \overline{OE}_2$	3-STATE Output Enable Inputs
I_0 - I_7	Inputs
O_0 - O_7	3-STATE Outputs

ORDERING INFORMATION

See detailed ordering and shipping information on page 4 of this data sheet.

74VHCT244A

LOGIC SYMBOL

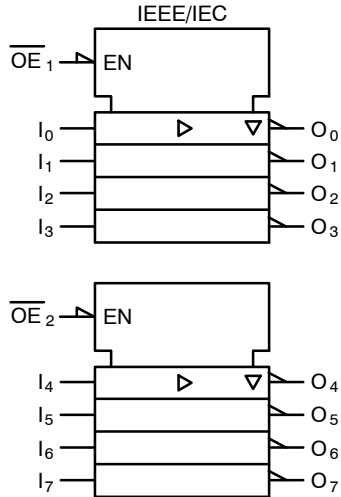


Figure 1. Logic Symbol

TRUTH TABLES

Inputs		Outputs
\overline{OE}_1	I_n	(Pins 12, 14, 16, 18)
L	L	L
L	H	H
H	X	Z

Inputs		Outputs
\overline{OE}_2	I_n	(Pins 3, 5, 7, 9)
L	L	L
L	H	H
H	X	Z

NOTE: H = HIGH Voltage Level
 L = LOW Voltage Level
 X = Immaterial
 Z = High Impedance

MAXIMUM RATINGS

Symbol	Parameter		Value	Unit
V_{CC}	DC Supply Voltage		-0.5 to +6.5	V
V_{IN}	DC Input Voltage		-0.5 to +6.5	V
V_{OUT}	DC Output Voltage	Active Mode (High or Low State)	-0.5 to $V_{CC} + 0.5$	V
		Tristate Mode (Note 1)	-0.5 to +6.5	
		Power-Off Mode ($V_{CC} = 0$ V)	-0.5 to +6.5	
I_{IN}	DC Input Current, per Pin		± 20	mA
I_{OUT}	DC Output Current, per Pin		± 25	mA
I_{CC}	DC Supply Current, V_{CC} and GND Pins		± 75	mA
I_{IK}	Input Clamp Current		-20	mA
I_{OK}	Output Clamp Current		-20	mA
T_{STG}	Storage Temperature Range		-65 to +150	$^{\circ}C$
T_L	Lead Temperature, 1 mm from Case for 10 Seconds		260	$^{\circ}C$
T_J	Junction Temperature Under Bias		+150	$^{\circ}C$
θ_{JA}	Thermal Resistance (Note 2)		150	$^{\circ}C/W$
P_D	Power Dissipation in Still Air at 25 $^{\circ}C$		833	mW
MSL	Moisture Sensitivity		Level 1	
F_R	Flammability Rating	Oxygen Index: 28 to 34	UL 94 V-0 @ 0.245 in	
V_{ESD}	ESD Withstand Voltage (Note 3)	Human Body Model	2000	V
		Charged Device Model	N/A	

Stresses exceeding those listed in the Maximum Ratings table may damage the device. If any of these limits are exceeded, device functionality should not be assumed, damage may occur and reliability may be affected.

1. Applicable to devices with outputs that may be tri-stated.
2. Measured with minimum pad spacing on an FR4 board, using 76 mm-by-114 mm, 2-ounce copper trace no air flow per JESD51-7.
3. HBM tested to EIA / JESD22-A114-A. CDM tested to JESD22-C101-A. JEDEC recommends that ESD qualification to EIA/JESD22-A115A (Machine Model) be discontinued.

74VHCT244A

RECOMMENDED OPERATING CONDITIONS

Symbol	Parameter	Min	Max	Unit		
V _{CC}	DC Supply Voltage	4.5	5.5	V		
V _{IN}	DC Input Voltage (Note 4)	0	5.5	V		
V _{OUT}	DC Output Voltage (Note 4)	Active Mode (High or Low State)	0	V _{CC}	V	
		Tristate Mode	0	5.5		
		Power-Off Mode (V _{CC} = 0 V)	0	5.5		
T _A	Operating Temperature	-40	+85	°C		
t _r , t _f	Input Rise or Fall Rate	V _{CC} = 4.5 V to 5.5 V		0	20	ns/V

Functional operation above the stresses listed in the Recommended Operating Ranges is not implied. Extended exposure to stresses beyond the Recommended Operating Ranges limits may affect device reliability.

4. Unused inputs must always be tied to an appropriate logic voltage level (e.g., either GND or V_{CC}). Unused outputs must be left open.

DC ELECTRICAL CHARACTERISTICS

Symbol	Parameter	Conditions	V _{CC} (V)	T _A = 25°C			T _A = -40°C to +85°C		Unit	
				Min	Typ	Max	Min	Max		
V _{IH}	HIGH Level Input Voltage		4.5	2.0	-	-	2.0	-	V	
			5.5	2.0	-	-	2.0	-		
V _{IL}	LOW Level Input Voltage		4.5	-	-	0.8	-	0.8	V	
			5.5	-	-	0.8	-	0.8		
V _{OH}	HIGH Level Output Voltage	V _{IN} = V _{IH} or V _{IL}	4.5	I _{OH} = -50 μA	4.40	4.50	-	4.40	-	V
				I _{OH} = -8 mA	3.94	-	-	3.80	-	
V _{OL}	LOW Level Output Voltage	V _{IN} = V _{IH} or V _{IL}	4.5	I _{OL} = 50 μA	-	0.0	0.1	-	0.1	V
				I _{OL} = 8 mA	-	-	0.36	-	0.44	
I _{OZ}	3-STATE Output Off-State Current	V _{IN} = V _{IH} or V _{IL} ; V _{OUT} = V _{CC} or GND	5.5	-	-	±0.25	-	±2.5	μA	
I _{IN}	Input Leakage Current	V _{IN} = 5.5 V or GND	0-5.5	-	-	±0.1	-	±1.0	μA	
I _{CC}	Quiescent Supply Current	V _{IN} = V _{CC} or GND	5.5	-	-	4.0	-	40.0	μA	
I _{CCT}	Maximum I _{CC} / Input	V _{IN} = 3.4 V, Other Input = V _{CC} or GND	5.5	-	-	1.35	-	1.50	mA	
I _{OFF}	Output Leakage Current (Power Down State)	V _{OUT} = 5.5 V	0.0	-	-	0.5	-	5.0	μA	

Product parametric performance is indicated in the Electrical Characteristics for the listed test conditions, unless otherwise noted. Product performance may not be indicated by the Electrical Characteristics if operated under different conditions.

NOISE CHARACTERISTICS

Symbol	Parameter	Conditions	V _{CC} (V)	T _A = 25 °C		Unit
				Typ	Limits	
V _{OLP} (Note 5)	Quiet Output Maximum Dynamic V _{OL}	C _L = 50 pF	5.0	0.9	1.1	V
V _{OLV} (Note 5)	Quiet Output Minimum Dynamic V _{OL}	C _L = 50 pF	5.0	-0.9	-1.1	V
V _{IHD} (Note 5)	Minimum HIGH Level Dynamic Input Voltage	C _L = 50 pF	5.0	-	2.0	V
V _{ILD} (Note 5)	Maximum LOW Level Dynamic Input Voltage	C _L = 50 pF	5.0	-	0.8	V

5. Parameter guaranteed by design.

74VHCT244A

AC ELECTRICAL CHARACTERISTICS

Symbol	Parameter	Conditions	V _{CC} (V)	T _A = 25 °C			T _A = -40 °C to +85 °C		Unit	
				Min	Typ	Max	Min	Max		
t _{PLH} , t _{PHL}	Propagation Delay Time		C _L = 15 pF	5.0 ±0.5	-	5.4	7.4	1.0	8.5	ns
			C _L = 50 pF		-	5.9	8.4	1.0	9.5	
t _{PZL} , t _{PZH}	3-STATE Output Enable Time	R _L = 1 kΩ	C _L = 15 pF	5.0 ±0.5	-	7.7	10.4	1.0	12.5	ns
			C _L = 50 pF		-	8.2	11.4	1.0	13.5	
t _{PLZ} , t _{PHZ}	3-STATE Output Disable Time	R _L = 1 kΩ	C _L = 50 pF	5.0 ±0.5	-	8.8	11.4	1.0	13.0	ns
t _{OSLH} , t _{OSHL}	Output to Output Skew	(Note 6)		5.0 ±0.5	-	-	1.0	-	1.0	ns
C _{IN}	Input Capacitance	V _{CC} = Open			-	4	10	-	10	pF
C _{OUT}	Output Capacitance	V _{CC} = 5.0 V			-	9	-	-	-	pF
C _{PD}	Power Dissipation Capacitance	(Note 7)			-	18	-	-	-	pF

Product parametric performance is indicated in the Electrical Characteristics for the listed test conditions, unless otherwise noted. Product performance may not be indicated by the Electrical Characteristics if operated under different conditions.

6. Parameter guaranteed by design. $t_{OSLH} - |t_{PLHmax} - t_{PLHmin}|$; $t_{OSHL} - |t_{PHLmax} - t_{PHLmin}|$

7. C_{PD} is defined as the value of the internal equivalent capacitance which is calculated from the operating current consumption without load. Average operating current can be obtained by the equation: $I_{CC} (Opr.) = C_{PD} * V_{CC} * f_{IN} + I_{CC}/8$ (per F/F). The total C_{PD} when n pcs. of the Octal D Flip-Flop operates can be calculated by the equation: $C_{PD} (total) = 20 + 12n$

ORDERING INFORMATION

Device	Marking	Package	Shipping [†]
74VHCT244AMTCX	VHCT 244A	TSSOP-20	2500 Units / Tape & Reel

[†] For information on tape and reel specifications, including part orientation and tape sizes, please refer to our Tape and Reel Packaging Specifications Brochure, BRD8011/D.

74VHCT244A

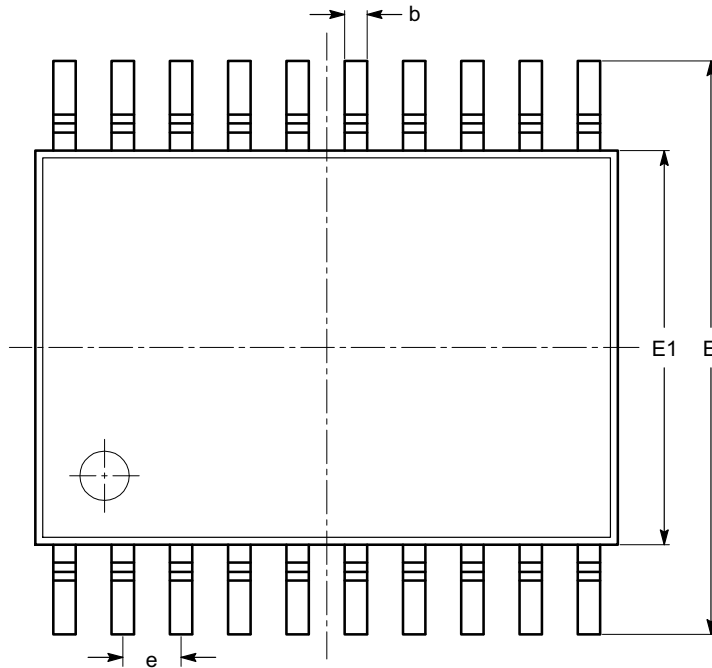
REVISION HISTORY

Revision	Description of Changes	Date
1	Converted the Data Sheet to onsemi format with the updates in Ordering Information Table, Recommended Operating Table, Maximum Rating Table.	9/16/2025

This document has undergone updates prior to the inclusion of this revision history table. The changes tracked here only reflect updates made on the noted approval dates.

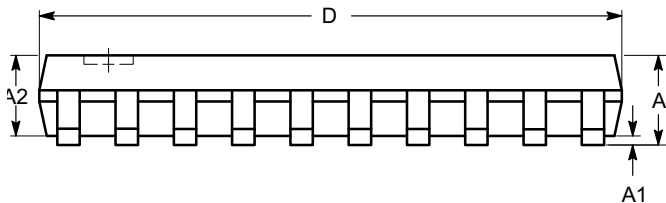
TSSOP20, 4.4x6.5
CASE 948AQ
ISSUE A

DATE 19 MAR 2009

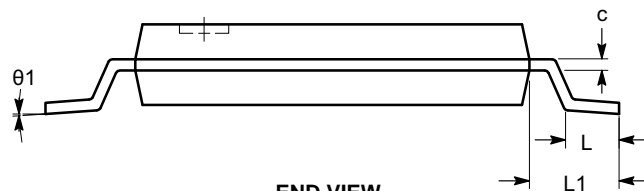


SYMBOL	MIN	NOM	MAX
A			1.20
A1	0.05		0.15
A2	0.80		1.05
b	0.19		0.30
c	0.09		0.20
D	6.40	6.50	6.60
E	6.30	6.40	6.50
E1	4.30	4.40	4.50
e	0.65 BSC		
L	0.45	0.60	0.75
L1	1.00 REF		
θ	0°		8°

TOP VIEW



SIDE VIEW



END VIEW

Notes:

- (1) All dimensions are in millimeters. Angles in degrees.
- (2) Complies with JEDEC MO-153.

DOCUMENT NUMBER:	98AON34453E	Electronic versions are uncontrolled except when accessed directly from the Document Repository. Printed versions are uncontrolled except when stamped "CONTROLLED COPY" in red.
DESCRIPTION:	TSSOP20, 4.4X6.5	PAGE 1 OF 1

onsemi and ONSEMI are trademarks of Semiconductor Components Industries, LLC dba onsemi or its subsidiaries in the United States and/or other countries. onsemi reserves the right to make changes without further notice to any products herein. onsemi makes no warranty, representation or guarantee regarding the suitability of its products for any particular purpose, nor does onsemi assume any liability arising out of the application or use of any product or circuit, and specifically disclaims any and all liability, including without limitation special, consequential or incidental damages. onsemi does not convey any license under its patent rights nor the rights of others.

onsemi, **Onsemi**, and other names, marks, and brands are registered and/or common law trademarks of Semiconductor Components Industries, LLC dba "**onsemi**" or its affiliates and/or subsidiaries in the United States and/or other countries. **onsemi** owns the rights to a number of patents, trademarks, copyrights, trade secrets, and other intellectual property. A listing of **onsemi**'s product/patent coverage may be accessed at www.onsemi.com/site/pdf/Patent-Marking.pdf. **onsemi** reserves the right to make changes at any time to any products or information herein, without notice. The information herein is provided "as-is" and **onsemi** makes no warranty, representation or guarantee regarding the accuracy of the information, product features, availability, functionality, or suitability of its products for any particular purpose, nor does **onsemi** assume any liability arising out of the application or use of any product or circuit, and specifically disclaims any and all liability, including without limitation special, consequential or incidental damages. Buyer is responsible for its products and applications using **onsemi** products, including compliance with all laws, regulations and safety requirements or standards, regardless of any support or applications information provided by **onsemi**. "Typical" parameters which may be provided in **onsemi** data sheets and/or specifications can and do vary in different applications and actual performance may vary over time. All operating parameters, including "Typicals" must be validated for each customer application by customer's technical experts. **onsemi** does not convey any license under any of its intellectual property rights nor the rights of others. **onsemi** products are not designed, intended, or authorized for use as a critical component in life support systems or any FDA Class 3 medical devices or medical devices with a same or similar classification in a foreign jurisdiction or any devices intended for implantation in the human body. Should Buyer purchase or use **onsemi** products for any such unintended or unauthorized application, Buyer shall indemnify and hold **onsemi** and its officers, employees, subsidiaries, affiliates, and distributors harmless against all claims, costs, damages, and expenses, and reasonable attorney fees arising out of, directly or indirectly, any claim of personal injury or death associated with such unintended or unauthorized use, even if such claim alleges that **onsemi** was negligent regarding the design or manufacture of the part. **onsemi** is an Equal Opportunity/Affirmative Action Employer. This literature is subject to all applicable copyright laws and is not for resale in any manner.

ADDITIONAL INFORMATION

TECHNICAL PUBLICATIONS:

Technical Library: www.onsemi.com/design/resources/technical-documentation
onsemi Website: www.onsemi.com

ONLINE SUPPORT: www.onsemi.com/support

For additional information, please contact your local Sales Representative at www.onsemi.com/support/sales