

Dual 1-of-8 Decoder/Demultiplexer

74AC138, 74ACT138

General Description

The AC138/ACT138 is a high-speed 1-of-8 decoder/demultiplexer. This device is ideally suited for high-speed bipolar memory chip select address decoding. The multiple input enables allow parallel expansion to a 1-of-24 decoder using just three AC138/ACT138 devices or a 1-of-32 decoder using four AC138/ACT138 devices and one inverter.

Features

- I_{CC} Reduced by 50%
- Demultiplexing Capability
- Multiple Input Enable for Easy Expansion
- Active LOW Mutually Exclusive Outputs
- Outputs Source/Sink 24 mA
- ACT138 Has TTL Compatible Inputs
- These are Pb-Free Devices

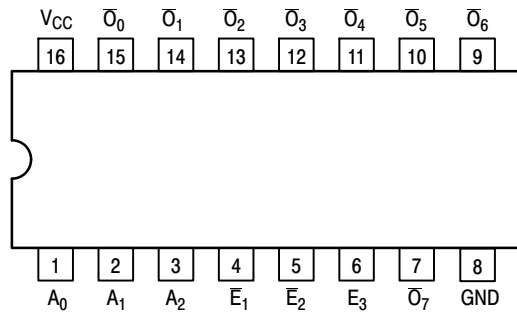


Figure 1. Pinout: 16-Lead Packages Conductors (Top View)

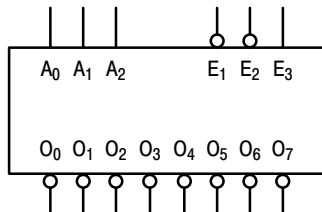
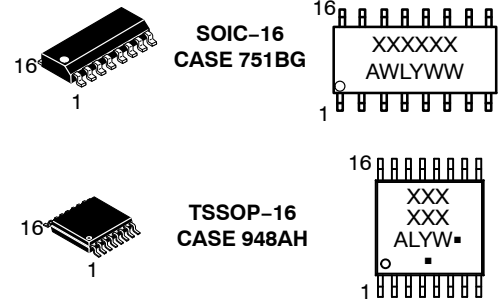


Figure 2. Logic Symbol

MARKING DIAGRAMS



XXX = Specific Device Code
A = Assembly Location
WL or L = Wafer Lot
Y = Year
WW or W = Work Week
G or ▪ = Pb-Free Package

(Note: Microdot may be in either location)

ORDERING INFORMATION

See detailed ordering and shipping information on page 8 of this data sheet.

74AC138, 74ACT138

PIN DESCRIPTIONS

| PIN | FUNCTION |
|-----------------------|----------------|
| A_0, A_1 | Address Inputs |
| \bar{E} | Enable Inputs |
| E_3 | Enable Input |
| $\bar{O}_0-\bar{O}_3$ | Outputs |

TRUTH TABLE

| Inputs | | | | | | Outputs | | | | | | | |
|-------------|-------------|-------|-------|-------|-------|-------------|-------------|-------------|-------------|-------------|-------------|-------------|-------------|
| \bar{E}_1 | \bar{E}_2 | E_3 | A_0 | A_1 | A_2 | \bar{O}_0 | \bar{O}_1 | \bar{O}_2 | \bar{O}_3 | \bar{O}_4 | \bar{O}_5 | \bar{O}_6 | \bar{O}_7 |
| H | X | X | X | X | X | H | H | H | H | H | H | H | H |
| X | H | X | X | X | X | H | H | H | H | H | H | H | H |
| X | X | L | X | X | X | H | H | H | H | H | H | H | H |
| L | L | H | L | L | L | L | H | H | H | H | H | H | H |
| L | L | H | H | L | L | H | L | H | H | H | H | H | H |
| L | L | H | L | H | L | H | H | L | H | H | H | H | H |
| L | L | H | H | H | L | H | H | H | L | H | H | H | H |
| L | L | H | L | L | H | H | H | H | H | L | H | H | H |
| L | L | H | H | L | H | H | H | H | H | H | L | H | H |
| L | L | H | L | H | H | H | H | H | H | H | H | L | H |
| L | L | H | H | H | H | H | H | H | H | H | H | H | L |

H = HIGH Voltage Level

L = LOW Voltage Level

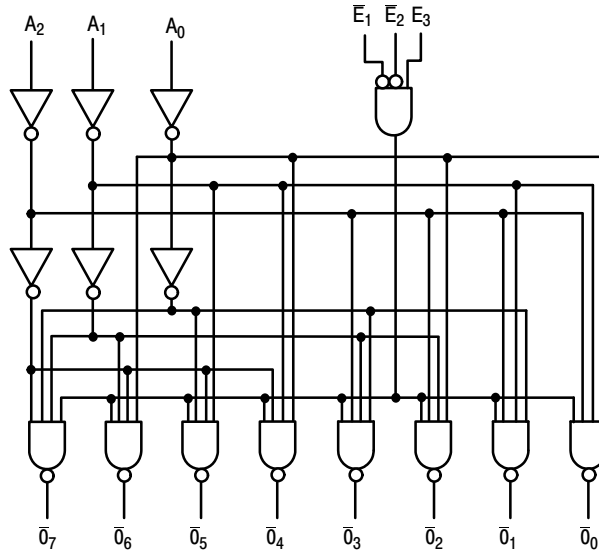
X = Immaterial

74AC138, 74ACT138

Functional Description

The AC138/ACT138 high-speed 1-of-8 decoder/demultiplexer accepts three binary weighted inputs (A_0 , A_1 , A_2) and, when enabled, provides eight mutually exclusive active-LOW outputs (\bar{O}_0 - \bar{O}_7). The AC138/7ACT138 features three Enable inputs, two active-LOW (\bar{E}_1 , \bar{E}_2) and one active-HIGH (E_3). All outputs will be HIGH unless \bar{E}_1 and \bar{E}_2 are LOW and E_3 is HIGH. This multiple enabled function allows easy parallel

expansion of the device to a 1-of-32 (5 lines to 32 lines) decoder with just four AC138/ACT138 devices and one inverter (Figure 4). The AC138/ACT138 can be used as an 8-output demultiplexer by using one of the active LOW Enable inputs as the data input and the other Enable inputs as strobes. The Enable inputs which are not used must be permanently tied to their appropriate active-HIGH or active-LOW state.



NOTE: This diagram is provided only for the understanding of logic operations and should not be used to estimate propagation delays.

Figure 3. Logic Diagram

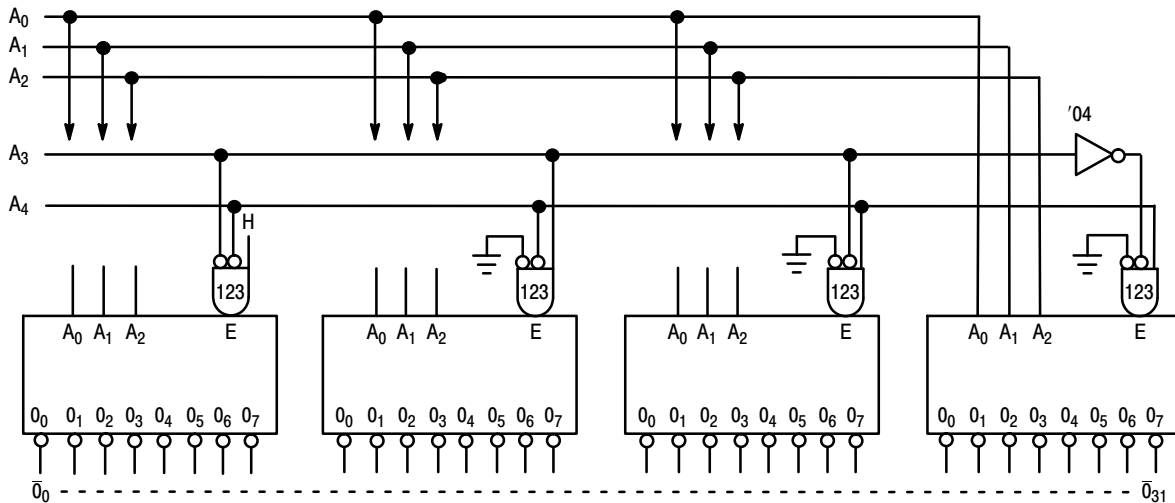


Figure 4. Expansion to 1-of-32 Decoding

74AC138, 74ACT138

ABSOLUTE MAXIMUM RATINGS

| Symbol | Parameter | Rating | Unit |
|-----------------------|-----------------------------------------------------------------------------------|------------------------|--------------------|
| V_{CC} | Supply Voltage | -0.5 to +6.5 | V |
| I_{IK} | DC Input Diode Current $V_I = -0.5\text{ V}$ $V_I = V_{CC} + 0.5\text{ V}$ | -20 +20 | mA |
| V_I | DC Input Voltage | -0.5 to $V_{CC} + 0.5$ | V |
| I_{OK} | DC Output Diode Current $V_O = -0.5\text{ V}$ $V_O = V_{CC} + 0.5\text{ V}$ | -20 +20 | mA |
| V_O | DC Output Voltage | -0.5 to $V_{CC} + 0.5$ | V |
| I_O | DC Output Source or Sink Current | ± 50 | mA |
| I_{CC} or I_{GND} | DC V_{CC} or Ground Current per Output Pin | ± 50 | mA |
| T_{STG} | Storage Temperature | -65 to +150 | $^{\circ}\text{C}$ |

Stresses exceeding those listed in the Maximum Ratings table may damage the device. If any of these limits are exceeded, device functionality should not be assumed, damage may occur and reliability may be affected.

RECOMMENDED OPERATING CONDITIONS

| Symbol | Parameter | Min | Max | Unit |
|---------------------|------------------------------------------------------------------------------------------------------------|------------|------------|--------------------|
| V_{CC} | Supply Voltage AC ACT | 2.0 4.5 | 6.0 5.5 | V |
| V_I | Input Voltage | 0 | V_{CC} | V |
| V_O | Output Voltage | 0 | V_{CC} | V |
| T_A | Operating Temperature | -40 | 85 | $^{\circ}\text{C}$ |
| $\Delta V/\Delta t$ | Minimum Input Edge Rate, AC Devices: V_{IN} from 30% to 70% V_{CC} , V_{CC} @ 3.3 V, 4.5 V, 5.5 V | 125 | | mV/ns |
| $\Delta V/\Delta t$ | Minimum Input Edge Rate, ACT Devices: V_{IN} from 0.8 V to 2.0 V, V_{CC} @ 4.5 V, 5.5 V | 125 | | mV/ns |

Functional operation above the stresses listed in the Recommended Operating Ranges is not implied. Extended exposure to stresses beyond the Recommended Operating Ranges limits may affect device reliability.

74AC138, 74ACT138

DC ELECTRICAL CHARACTERISTICS FOR AC

| Symbol | Parameter | V _{CC} (V) | Conditions | T _A = +25°C | | T _A = -40°C to +85°C | | Unit | |
|-----------------------------|-----------------------------------------|---------------------|-----------------------------------------------------|------------------------|-------------------|---------------------------------|------|------|--|
| | | | | Typ | Guaranteed Limits | | | | |
| V _{IH} | Minimum HIGH Level Input Voltage | 3.0 | V _{OUT} = 0.1 V or V _{CC} - 0.1 V | 1.5 | 2.1 | 2.1 | | V | |
| | | 4.5 | | 2.25 | 3.15 | 3.15 | | | |
| | | 5.5 | | 2.75 | 3.85 | 3.85 | | | |
| V _{IL} | Maximum LOW Level Input Voltage | 3.0 | V _{OUT} = 0.1 V or V _{CC} - 0.1 V | 1.5 | 0.9 | 0.9 | | V | |
| | | 4.5 | | 2.25 | 1.35 | 1.35 | | | |
| | | 5.5 | | 2.75 | 1.65 | 1.65 | | | |
| V _{OH} | Minimum HIGH Level Output Voltage | 3.0 | I _{OUT} = -50 μA | 2.99 | 2.9 | 2.9 | | V | |
| | | 4.5 | | 4.49 | 4.4 | 4.4 | | | |
| | | 5.5 | | 5.49 | 5.4 | 5.4 | | | |
| | | 3.0 | | | | 2.56 | 2.46 | | |
| | | 4.5 | | | | 3.86 | 3.76 | | |
| | | 5.5 | | | | 4.86 | 4.76 | | |
| V _{OL} | Maximum LOW Level Output Voltage | 3.0 | I _{OUT} = 50 μA | 0.002 | 0.1 | 0.1 | | V | |
| | | 4.5 | | 0.001 | 0.1 | 0.1 | | | |
| | | 5.5 | | 0.001 | 0.1 | 0.1 | | | |
| | | 3.0 | | | | 0.36 | 0.44 | | |
| | | 4.5 | | | | 0.36 | 0.44 | | |
| | | 5.5 | | | | 0.36 | 0.44 | | |
| I _{IN} (Note 2) | Maximum Input Leakage Current | 5.5 | V _I = V _{CC} , GND | | ±0.1 | ±1.0 | | μA | |
| I _{OLD} | Minimum Dynamic Output Current (Note 3) | 5.5 | V _{OLD} = 1.65 V Max | | | 75 | | mA | |
| I _{OHD} | | 5.5 | V _{OHD} = 3.85 V Min | | | -75 | | mA | |
| I _{CC} (Note 2) | Maximum Quiescent Supply Current | 5.5 | V _{IN} = V _{CC} or GND | | 4.0 | 40.0 | | μA | |

Product parametric performance is indicated in the Electrical Characteristics for the listed test conditions, unless otherwise noted. Product performance may not be indicated by the Electrical Characteristics if operated under different conditions.

1. All outputs loaded; thresholds on input associated with output under test.
2. I_{IN} and I_{CC} @ 3.0 V are guaranteed to be less than or equal to the respective limit @ 5.5 V V_{CC}.
3. Maximum test duration 2.0 ms, one output loaded at a time.

74AC138, 74ACT138

DC ELECTRICAL CHARACTERISTICS FOR ACT

| Symbol | Parameter | V _{CC} (V) | Conditions | T _A = +25°C | | T _A = -40°C to +85°C | | Unit |
|-------------------|-----------------------------------------|---------------------|---------------------------------------------------------------------------------|------------------------------------------------------------------------------------------|-------------------|---------------------------------|------|------|
| | | | | Typ | Guaranteed Limits | | | |
| V _{IH} | Minimum HIGH Level Input Voltage | 4.5 | V _{OUT} = 0.1 V or V _{CC} - 0.1 V | 1.5 | 2.0 | 2.0 | | V |
| | | 5.5 | | 1.5 | 2.0 | 2.0 | | |
| V _{IL} | Maximum LOW Level Input Voltage | 4.5 | V _{OUT} = 0.1 V or V _{CC} - 0.1 V | 1.5 | 0.8 | 0.8 | | V |
| | | 5.5 | | 1.5 | 0.8 | 0.8 | | |
| V _{OH} | Minimum HIGH Level Output Voltage | 4.5 | I _{OUT} = -50 μA | 4.49 | 4.4 | 4.4 | | V |
| | | 5.5 | | 5.49 | 5.4 | 5.4 | | |
| | | 4.5 | V _{IN} = V _{IL} or V _{IH} , I _{OH} = -24 mA | | 3.86 | 3.76 | | |
| | | 5.5 | | V _{IN} = V _{IL} or V _{IH} , I _{OH} = -24 mA (Note 4) | | 4.86 | 4.76 | |
| V _{OL} | Maximum LOW Level Output Voltage | 4.5 | I _{OUT} = 50 μA | 0.001 | 0.1 | 0.1 | | V |
| | | 5.5 | | 0.001 | 0.1 | 0.1 | | |
| | | 4.5 | V _{IN} = V _{IL} or V _{IH} , I _{OL} = 24 mA | | 0.36 | 0.44 | | |
| | | 5.5 | | V _{IN} = V _{IL} or V _{IH} , I _{OL} = 24 mA (Note 4) | | 0.36 | 0.44 | |
| I _{IN} | Maximum Input Leakage Current | 5.5 | V _I = V _{CC} , GND | | ±0.1 | ±1.0 | | μA |
| I _{CCCT} | Maximum I _{CC} /Input | 5.5 | V _I = V _{CC} - 2.1 V | 0.6 | | 1.5 | | mA |
| I _{OLD} | Minimum Dynamic Output Current (Note 5) | 5.5 | V _{OLD} = 1.65 V Max | | | 75 | | mA |
| I _{OHD} | | 5.5 | V _{OHD} = 3.85 V Min | | | -75 | | mA |
| I _{CC} | Maximum Quiescent Supply Current | 5.5 | V _{IN} = V _{CC} or GND | | 4.0 | 40.0 | | μA |

4. All outputs loaded; thresholds on input associated with output under test.

5. Maximum test duration 2.0 ms, one output loaded at a time.

74AC138, 74ACT138

AC ELECTRICAL CHARACTERISTICS FOR AC

| Symbol | Parameter | V _{CC} (V) (Note 6) | T _A = +25°C, C _L = 50 pF | | | T _A = -40°C to +85°C, C _L = 50 pF | | Unit |
|------------------|----------------------------------------------------------------|---------------------------------|------------------------------------------------|------|------|---------------------------------------------------------|------|------|
| | | | Min | Typ | Max | Min | Max | |
| t _{PLH} | Propagation Delay A _n to \bar{O}_n | 3.3 | 1.5 | 8.5 | 13.0 | 1.5 | 15.0 | ns |
| | | 5.0 | 1.5 | 6.5 | 9.5 | 1.5 | 10.5 | |
| t _{PHL} | Propagation Delay A _n to \bar{O}_n | 3.3 | 1.5 | 8.0 | 12.5 | 1.5 | 14.0 | ns |
| | | 5.0 | 1.5 | 6.0 | 9.0 | 1.5 | 10.5 | |
| t _{PLH} | Propagation Delay \bar{E}_1 or \bar{E}_2 to \bar{O}_n | 3.3 | 1.5 | 11.0 | 15.0 | 1.5 | 16.0 | ns |
| | | 5.0 | 1.5 | 8.0 | 11.0 | 1.5 | 12.0 | |
| t _{PHL} | Propagation Delay \bar{E}_1 or \bar{E}_2 to \bar{O}_n | 3.3 | 1.5 | 9.5 | 13.5 | 1.5 | 15.0 | ns |
| | | 5.0 | 1.5 | 7.0 | 9.5 | 1.5 | 10.5 | |
| t _{PLH} | Propagation Delay E ₃ to \bar{O}_n | 3.3 | 1.5 | 11.0 | 15.5 | 1.5 | 16.5 | ns |
| | | 5.0 | 1.5 | 8.0 | 11.0 | 1.5 | 12.5 | |
| t _{PHL} | Propagation Delay E ₃ to \bar{O}_n | 3.3 | 1.5 | 8.5 | 13.0 | 1.5 | 14.0 | ns |
| | | 5.0 | 1.5 | 6.0 | 8.0 | 1.0 | 9.5 | |

6. Voltage range 3.3 is 3.3 V ± 0.3 V.
Voltage range 5.0 is 5.0 V ± 0.5 V.

AC ELECTRICAL CHARACTERISTICS FOR ACT

| Symbol | Parameter | V _{CC} (V) (Note 7) | T _A = +25°C, C _L = 50 pF | | | T _A = -40°C to +85°C, C _L = 50 pF | | Unit |
|------------------|----------------------------------------------------------------|---------------------------------|------------------------------------------------|-----|------|---------------------------------------------------------|------|------|
| | | | Min | Typ | Max | Min | Max | |
| t _{PLH} | Propagation Delay A _n to \bar{O}_n | 5.0 | 1.5 | 7.0 | 10.5 | 1.5 | 11.5 | ns |
| t _{PHL} | Propagation Delay A _n to \bar{O}_n | 5.0 | 1.5 | 6.5 | 10.5 | 1.5 | 11.5 | ns |
| t _{PLH} | Propagation Delay \bar{E}_1 or \bar{E}_2 to \bar{O}_n | 5.0 | 2.5 | 8.0 | 11.5 | 2.0 | 12.5 | ns |
| t _{PHL} | Propagation Delay \bar{E}_1 or \bar{E}_2 to \bar{O}_n | 5.0 | 2.0 | 7.5 | 11.5 | 2.0 | 12.5 | ns |
| t _{PLH} | Propagation Delay E ₃ to \bar{O}_n | 5.0 | 2.5 | 8.0 | 12.0 | 2.0 | 13.0 | ns |
| t _{PHL} | Propagation Delay E ₃ to \bar{O}_n | 5.0 | 2.0 | 6.5 | 10.5 | 1.5 | 11.5 | ns |

7. Voltage range 5.0 is 5.0 V ± 0.5 V.

CAPACITANCE

| Symbol | Parameter | Conditions | Typ | Unit |
|-----------------|-------------------------------|-------------------------|------|------|
| C _{IN} | Input Capacitance | V _{CC} = OPEN | 4.5 | pF |
| C _{PD} | Power Dissipation Capacitance | V _{CC} = 5.0 V | 60.0 | pF |

74AC138, 74ACT138

ORDERING INFORMATION

| Device | Marking | Package | Shipping† |
|-------------|-----------|----------|--------------------|
| 74AC138MTCX | AC 138 | TSSOP-16 | 96 Units / Rail |
| 74AC138SC | AC138 | SOIC-16 | 48 Units / Rail |
| 74AC138SCX | AC138 | SOIC-16 | 2500 / Tape & Reel |
| 74ACT138SC | ACT138 | SOIC-16 | 48 Units / Rail |
| 74ACT138SCX | ACT138 | SOIC-16 | 2500 / Tape & Reel |

†For information on tape and reel specifications, including part orientation and tape sizes, please refer to our Tape and Reel Packaging Specifications Brochure, BRD8011/D.

MECHANICAL CASE OUTLINE

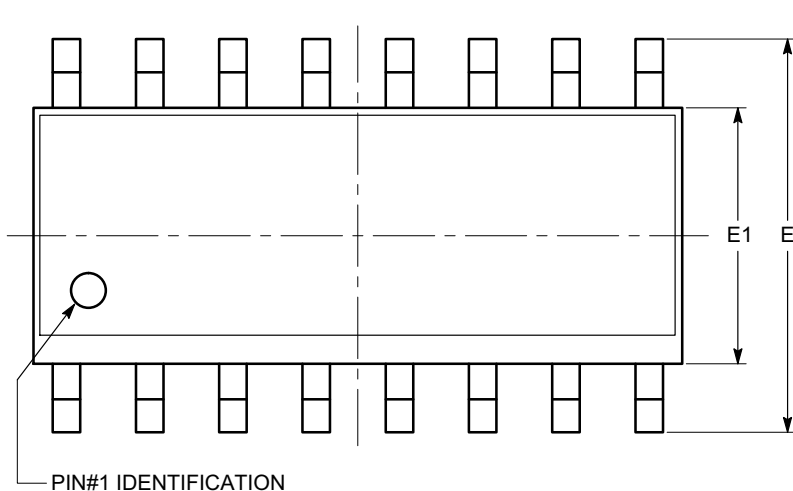
PACKAGE DIMENSIONS

ON Semiconductor®



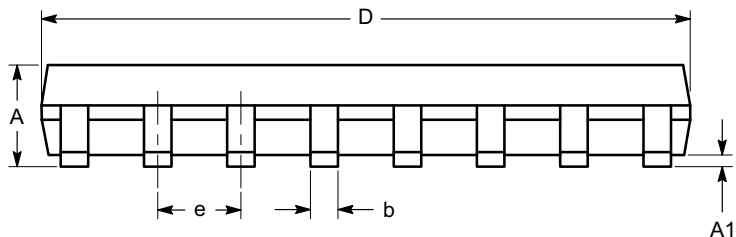
SOIC-16, 150 mils
CASE 751BG-01
ISSUE O

DATE 19 DEC 2008

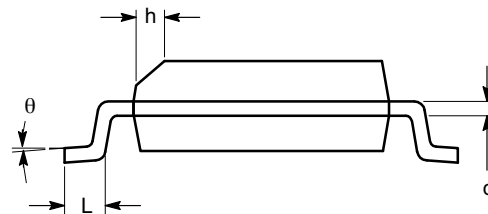


| SYMBOL | MIN | NOM | MAX |
|----------|----------|------|-------|
| A | 1.35 | | 1.75 |
| A1 | 0.10 | | 0.25 |
| b | 0.33 | | 0.51 |
| c | 0.19 | | 0.25 |
| D | 9.80 | 9.90 | 10.00 |
| E | 5.80 | 6.00 | 6.20 |
| E1 | 3.80 | 3.90 | 4.00 |
| e | 1.27 BSC | | |
| h | 0.25 | | 0.50 |
| L | 0.40 | | 1.27 |
| θ | 0° | | 8° |

TOP VIEW



SIDE VIEW



END VIEW

Notes:

- (1) All dimensions are in millimeters. Angles in degrees.
- (2) Complies with JEDEC MS-012.

| | | |
|-------------------------|--------------------------|-------------------------------------------------------------------------------------------------------------------------------------------------------------------------------------|
| DOCUMENT NUMBER: | 98AON34275E | Electronic versions are uncontrolled except when accessed directly from the Document Repository. Printed versions are uncontrolled except when stamped "CONTROLLED COPY" in red. |
| DESCRIPTION: | SOIC-16, 150 MILS | PAGE 1 OF 1 |

ON Semiconductor and are trademarks of Semiconductor Components Industries, LLC dba ON Semiconductor or its subsidiaries in the United States and/or other countries. ON Semiconductor reserves the right to make changes without further notice to any products herein. ON Semiconductor makes no warranty, representation or guarantee regarding the suitability of its products for any particular purpose, nor does ON Semiconductor assume any liability arising out of the application or use of any product or circuit, and specifically disclaims any and all liability, including without limitation special, consequential or incidental damages. ON Semiconductor does not convey any license under its patent rights nor the rights of others.

MECHANICAL CASE OUTLINE

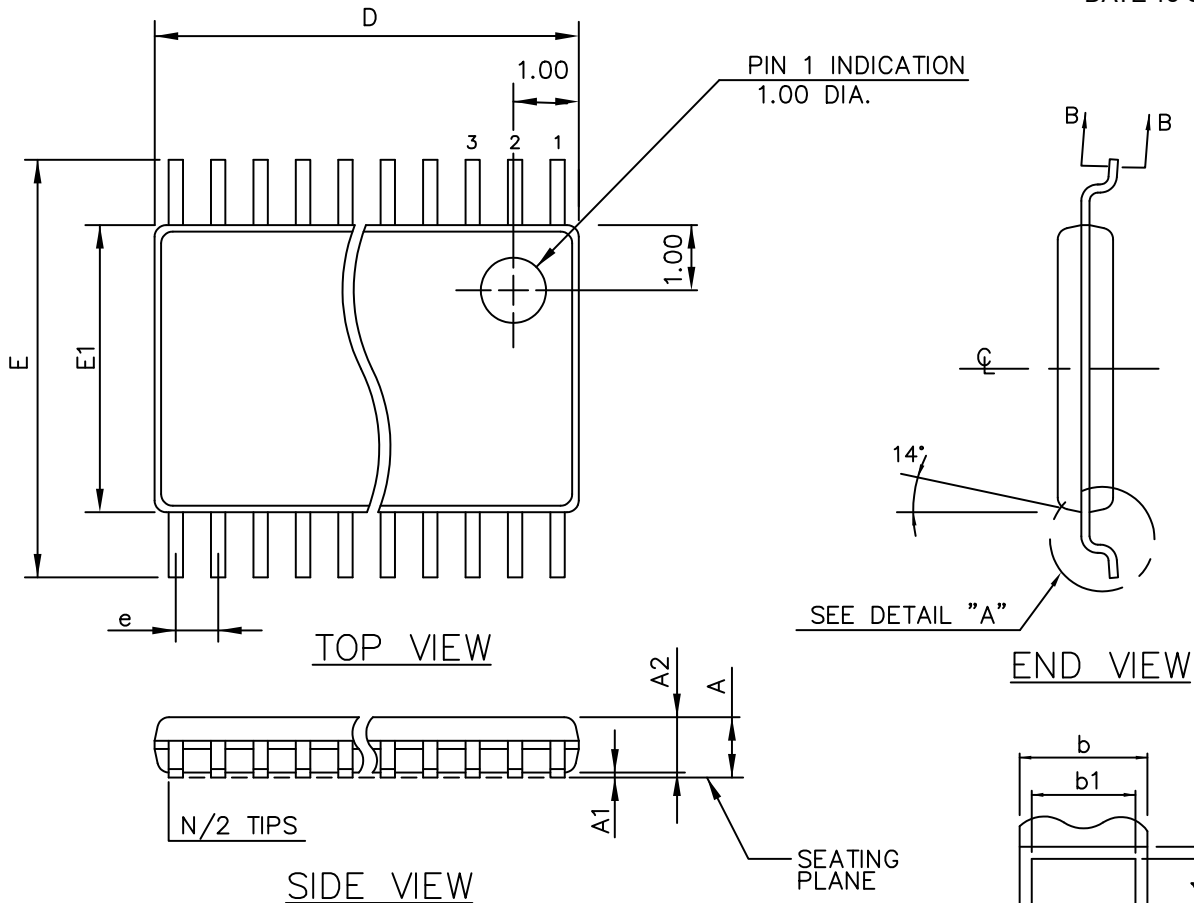
PACKAGE DIMENSIONS

ON Semiconductor®



TSSOP 16
CASE 948AH-01
ISSUE O

DATE 19 SEP 2008

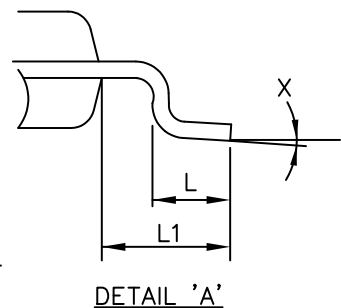


THIS TABLE FOR 0.65mm PITCH

| SYMBOL | COMMON DIMENSIONS | | | NOTE VARIATIONS | D | N |
|----------------|-------------------|-------|------|-----------------|----------|----|
| | MIN. | NOM. | MAX. | | | |
| A | — | — | 1.10 | AA/AAT | 3.00 BSC | 8 |
| A ₁ | 0.05 | — | 0.15 | AB-1/ABT | 5.00 BSC | 14 |
| A ₂ | 0.85 | 0.90 | 0.95 | AB/ABT | 5.00 BSC | 16 |
| b | 0.19 | — | 0.30 | AD/ADT | 7.80 BSC | 24 |
| b ₁ | 0.19 | 0.22 | 0.25 | | | |
| c | 0.09 | — | 0.20 | | | |
| c ₁ | 0.09 | 0.127 | 0.16 | | | |
| D | SEE VARIATIONS | | | | | |
| E ₁ | 4.30 | 4.40 | 4.50 | | | |
| e | 0.65 BSC | | | | | |
| E | 6.40 BSC | | | | | |
| L | 0.50 | 0.60 | 0.70 | | | |
| L ₁ | 1.00 REF | | | | | |
| N | SEE VARIATIONS | | | | | |
| X | 0° | — | 8° | | | |

ALL DIMENSIONS IN MILLIMETERS

SECTION "B-B"



MOLD FLASH OR PROTRUSIONS SHALL NOT EXCEED 0.15mm ON D PER SIDE

| | | |
|-------------------------|--------------------|----------------------------------------------------------------------------------------------------------------------------------------------------------------------------------|
| DOCUMENT NUMBER: | 98AON34923E | Electronic versions are uncontrolled except when accessed directly from the Document Repository. Printed versions are uncontrolled except when stamped "CONTROLLED COPY" in red. |
| DESCRIPTION: | TSSOP 16 | PAGE 1 OF 1 |

ON Semiconductor and are trademarks of Semiconductor Components Industries, LLC dba ON Semiconductor or its subsidiaries in the United States and/or other countries. ON Semiconductor reserves the right to make changes without further notice to any products herein. ON Semiconductor makes no warranty, representation or guarantee regarding the suitability of its products for any particular purpose, nor does ON Semiconductor assume any liability arising out of the application or use of any product or circuit, and specifically disclaims any and all liability, including without limitation special, consequential or incidental damages. ON Semiconductor does not convey any license under its patent rights nor the rights of others.

onsemi, **Onsemi**, and other names, marks, and brands are registered and/or common law trademarks of Semiconductor Components Industries, LLC dba "**onsemi**" or its affiliates and/or subsidiaries in the United States and/or other countries. **onsemi** owns the rights to a number of patents, trademarks, copyrights, trade secrets, and other intellectual property. A listing of **onsemi**'s product/patent coverage may be accessed at www.onsemi.com/site/pdf/Patent-Marking.pdf. **onsemi** reserves the right to make changes at any time to any products or information herein, without notice. The information herein is provided "as-is" and **onsemi** makes no warranty, representation or guarantee regarding the accuracy of the information, product features, availability, functionality, or suitability of its products for any particular purpose, nor does **onsemi** assume any liability arising out of the application or use of any product or circuit, and specifically disclaims any and all liability, including without limitation special, consequential or incidental damages. Buyer is responsible for its products and applications using **onsemi** products, including compliance with all laws, regulations and safety requirements or standards, regardless of any support or applications information provided by **onsemi**. "Typical" parameters which may be provided in **onsemi** data sheets and/or specifications can and do vary in different applications and actual performance may vary over time. All operating parameters, including "Typicals" must be validated for each customer application by customer's technical experts. **onsemi** does not convey any license under any of its intellectual property rights nor the rights of others. **onsemi** products are not designed, intended, or authorized for use as a critical component in life support systems or any FDA Class 3 medical devices or medical devices with a same or similar classification in a foreign jurisdiction or any devices intended for implantation in the human body. Should Buyer purchase or use **onsemi** products for any such unintended or unauthorized application, Buyer shall indemnify and hold **onsemi** and its officers, employees, subsidiaries, affiliates, and distributors harmless against all claims, costs, damages, and expenses, and reasonable attorney fees arising out of, directly or indirectly, any claim of personal injury or death associated with such unintended or unauthorized use, even if such claim alleges that **onsemi** was negligent regarding the design or manufacture of the part. **onsemi** is an Equal Opportunity/Affirmative Action Employer. This literature is subject to all applicable copyright laws and is not for resale in any manner.

ADDITIONAL INFORMATION

TECHNICAL PUBLICATIONS:

Technical Library: www.onsemi.com/design/resources/technical-documentation
onsemi Website: www.onsemi.com

ONLINE SUPPORT: www.onsemi.com/support

For additional information, please contact your local Sales Representative at www.onsemi.com/support/sales