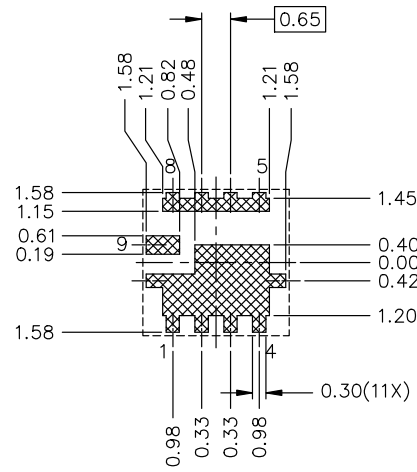
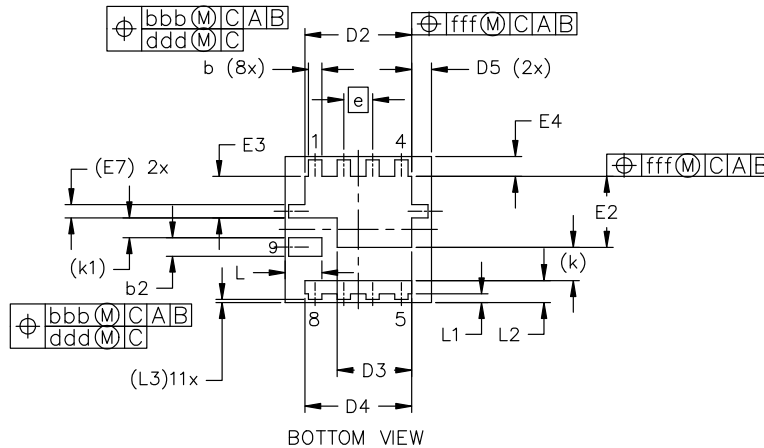
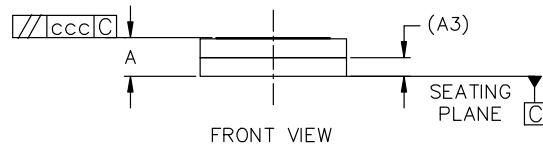
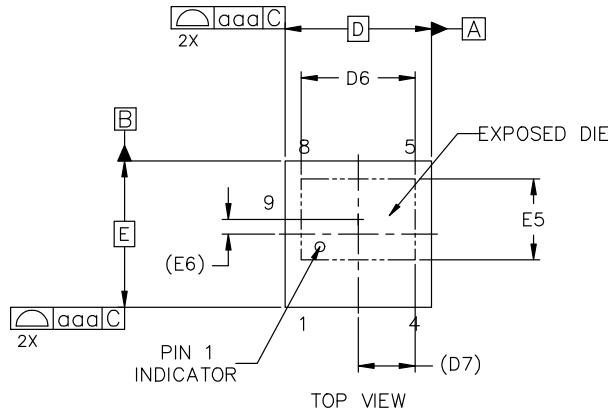


PTFP-N9 3.30x3.30x0.87, 0.65P
CASE 522AF
ISSUE A

DATE 04 MAY 2026

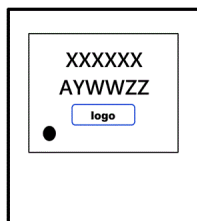


LAND PATTERN RECOMMENDATION

*FOR ADDITIONAL INFORMATION ON OUR PB-FREE STRATEGY AND SOLDERING DETAILS, PLEASE DOWNLOAD THE ONSEMI SOLDERING AND MOUNTING TECHNIQUES REFERENCE MANUAL, SOLDERM/D.

UNIT IN MILLIMETER			
DIM	MIN	NOM	MAX
A	0.77	0.87	0.97
A3	0.42 REF		
b	0.25	0.30	0.35
b2	0.37	0.42	0.47
D	3.30 BSC		
D2	2.31	2.41	2.51
D3	1.58	1.68	1.78
D4	2.31	2.41	2.51
D5	0.35	0.45	0.55
D6	2.20	-	2.70
D7	1.29 REF		
E	3.30 BSC		
E2	1.50	1.60	1.70
E3	0.84	0.94	1.04
E4	0.35	0.45	0.55
E5	1.60	-	2.10
E6	0.33 REF		
E7	0.30 REF		
e	0.65 BSC		
k	0.75 REF		
k1	0.45 REF		
L	0.73	0.83	0.93
L1	0.10	0.20	0.30
L2	0.40	0.50	0.60
L3	0.075 REF		
aaa	0.10		
bbb	0.10		
ccc	0.10		
ddd	0.05		
fff	0.10		

GENERIC MARKING DIAGRAM*



XXXX = Specific Device Code
A = Assembly Location
Y = Year
WW = Work Week
ZZ = Assembly Lot Code

*This information is generic. Please refer to device data sheet for actual part marking. Pb-Free indicator, "G" or microdot "μ", may or may not be present. Some products may not follow the Generic Marking.

DOCUMENT NUMBER:	98AON75134H	Electronic versions are uncontrolled except when accessed directly from the Document Repository. Printed versions are uncontrolled except when stamped "CONTROLLED COPY" in red.
DESCRIPTION:	PTFP-N9 3.30x3.30x0.87, 0.65P	PAGE 1 OF 1

onsemi and ONSEMI are trademarks of Semiconductor Components Industries, LLC dba onsemi or its subsidiaries in the United States and/or other countries. onsemi reserves the right to make changes without further notice to any products herein. onsemi makes no warranty, representation or guarantee regarding the suitability of its products for any particular purpose, nor does onsemi assume any liability arising out of the application or use of any product or circuit, and specifically disclaims any and all liability, including without limitation special, consequential or incidental damages. onsemi does not convey any license under its patent rights nor the rights of others.