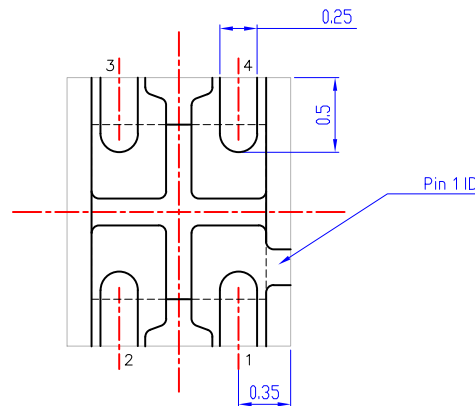
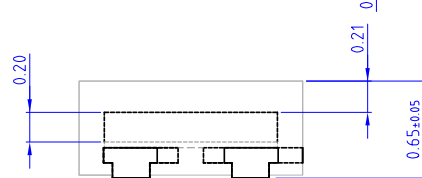
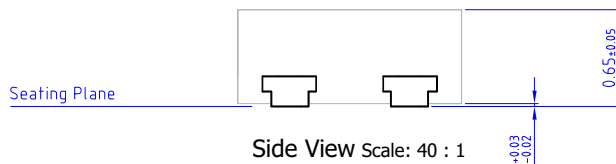
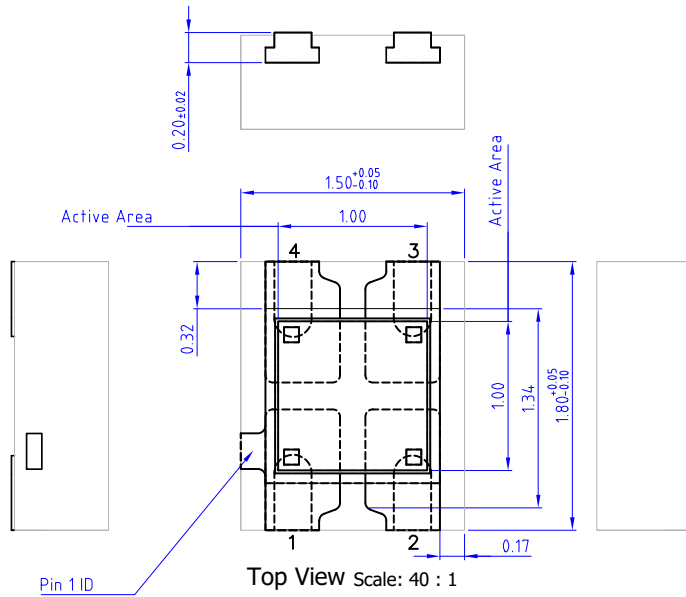


CWDFN4 1.5x1.8, 0.8P
CASE 512AK
ISSUE 0

DATE 31 JUL 2018



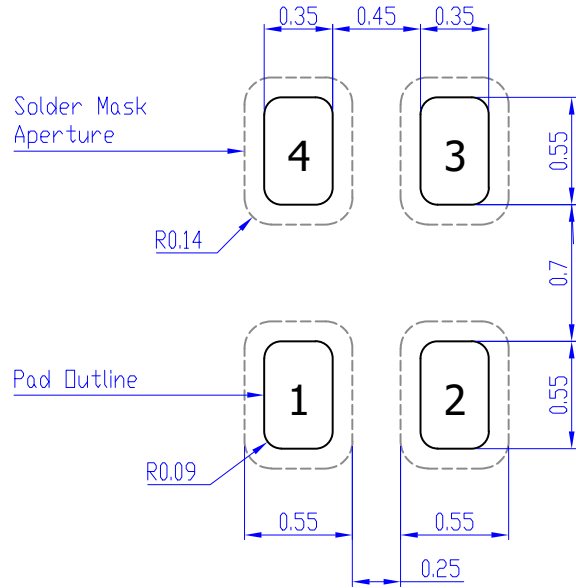
Pin Assignments	
Pin #	Description
1	Anode
2	Fast Output
3	Cathode
4	No Connect

DOCUMENT NUMBER:	98AON94882G	Electronic versions are uncontrolled except when accessed directly from the Document Repository. Printed versions are uncontrolled except when stamped "CONTROLLED COPY" in red.
DESCRIPTION:	CWDFN4 1.5x1.8, 0.8P	PAGE 1 OF 2

onsemi and ONSEMI are trademarks of Semiconductor Components Industries, LLC dba onsemi or its subsidiaries in the United States and/or other countries. onsemi reserves the right to make changes without further notice to any products herein. onsemi makes no warranty, representation or guarantee regarding the suitability of its products for any particular purpose, nor does onsemi assume any liability arising out of the application or use of any product or circuit, and specifically disclaims any and all liability, including without limitation special, consequential or incidental damages. onsemi does not convey any license under its patent rights nor the rights of others.

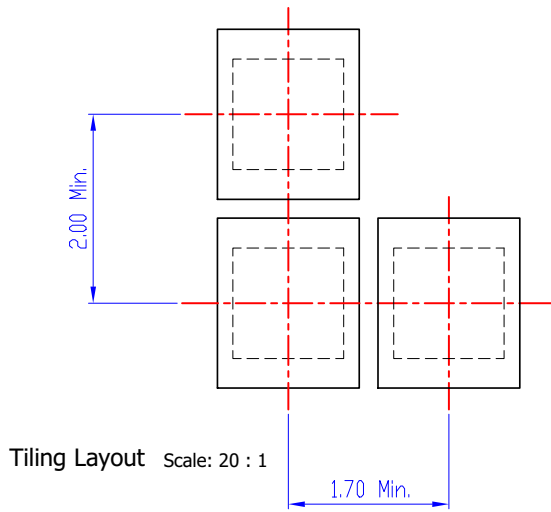
CWDFN4 1.5x1.8, 0.8P
CASE 512AK
ISSUE 0

DATE 31 JUL 2018



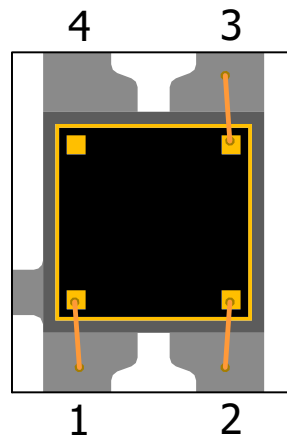
Recommended PCB Solder Footprint
 Scale: 40 : 1

NOTE: No Connect (NC) pin 4 should be soldered to PCB, this pin can be connected to ground but it can also be left floating without affecting the dark noise.

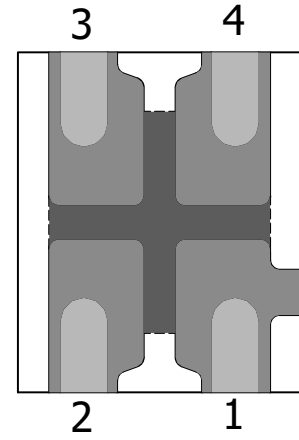


Tiling Layout Scale: 20 : 1

NOTE: Alignment and placement tolerances depend on the accuracy of the equipment used in the assembly process.



Top View Scale: 40 : 1



Bottom View Scale: 40 : 1

DOCUMENT NUMBER:	98AON94882G	Electronic versions are uncontrolled except when accessed directly from the Document Repository. Printed versions are uncontrolled except when stamped "CONTROLLED COPY" in red.
DESCRIPTION:	CWDFN4 1.5x1.8, 0.8P	PAGE 2 OF 2

onsemi and **ONSEMI** are trademarks of Semiconductor Components Industries, LLC dba **onsemi** or its subsidiaries in the United States and/or other countries. **onsemi** reserves the right to make changes without further notice to any products herein. **onsemi** makes no warranty, representation or guarantee regarding the suitability of its products for any particular purpose, nor does **onsemi** assume any liability arising out of the application or use of any product or circuit, and specifically disclaims any and all liability, including without limitation special, consequential or incidental damages. **onsemi** does not convey any license under its patent rights nor the rights of others.