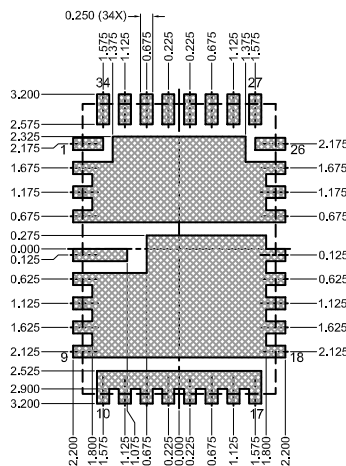
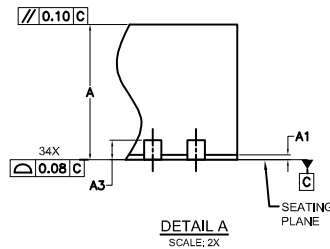
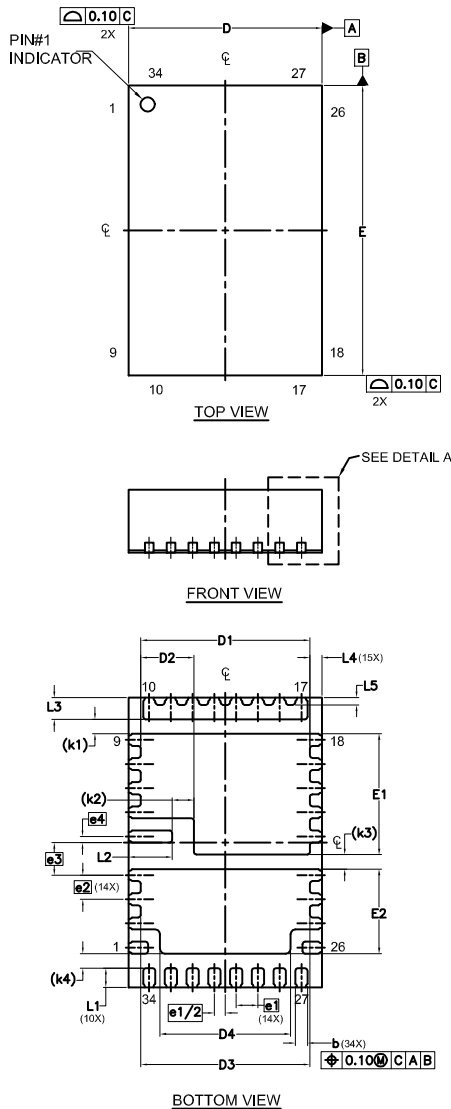


LQFN34 4x6, 0.45P
CASE 487AB
ISSUE C

DATE 02 AUG 2022



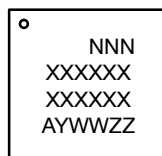
*FOR ADDITIONAL INFORMATION ON OUR
Pb-FREE STRATEGY AND SOLDERING DETAILS,
PLEASE DOWNLOAD THE ON SEMICONDUCTOR
SOLDERING AND MOUNTING TECHNIQUES
REFERENCE MANUAL, SOLDERRM/D.

NOTES: UNLESS OTHERWISE SPECIFIED

- A) DOES NOT FULLY CONFORM TO JEDEC REGISTRATION MO-220, DATED MAY/2005.
- B) ALL DIMENSIONS ARE IN MILLIMETERS.
- C) DIMENSIONS DO NOT INCLUDE BURRS OR MOLD FLASH. MOLD FLASH OR BURRS DOES NOT EXCEED 0.10MM.
- D) DIMENSIONING AND TOLERANCING PER ASME Y14.5M-2009.

DIM	MILLIMETERS		
	MIN.	NOM.	MAX.
A	1.20	1.30	1.40
A1	0.00	0.03	0.05
A3	0.17	0.22	0.27
b	0.20	0.25	0.30
D	3.90	4.00	4.10
D1	3.40	3.50	3.60
D2	0.90	1.00	1.10
D3	3.40	3.50	3.60
D4	2.60	2.70	2.80
E	5.90	6.00	6.10
E1	2.40	2.50	2.60
E2	1.65	1.75	1.85
e1	0.450 BSC		
e1/2	0.225 BSC		
e2	0.500 BSC		
e3	0.675 BSC		
e4	0.125 BSC		
k1	0.300 REF		
k2	0.450 REF		
k3	0.300 REF		
k4	0.300 REF		
L1	0.30	0.40	0.50
L2	0.80	0.90	1.00
L3	0.35	0.45	0.55
L4	0.15	0.25	0.35
L5	0.05	0.15	0.25

GENERIC
MARKING DIAGRAM*



- NNN = Serial Number
- XXXX = Specific Device Code
- A = Assembly Location
- Y = Year
- WW = Work Week
- ZZ = Assembly Lot Code

*This information is generic. Please refer to device data sheet for actual part marking. Pb-Free indicator, "G" or microdot "•", may or may not be present. Some products may not follow the Generic Marking.

DOCUMENT NUMBER:	98AON13350H	Electronic versions are uncontrolled except when accessed directly from the Document Repository. Printed versions are uncontrolled except when stamped "CONTROLLED COPY" in red.
DESCRIPTION:	LQFN34 4x6, 0.45P	PAGE 1 OF 1

onsemi and Onsemi are trademarks of Semiconductor Components Industries, LLC dba onsemi or its subsidiaries in the United States and/or other countries. onsemi reserves the right to make changes without further notice to any products herein. onsemi makes no warranty, representation or guarantee regarding the suitability of its products for any particular purpose, nor does onsemi assume any liability arising out of the application or use of any product or circuit, and specifically disclaims any and all liability, including without limitation special, consequential or incidental damages. onsemi does not convey any license under its patent rights nor the rights of others.