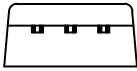


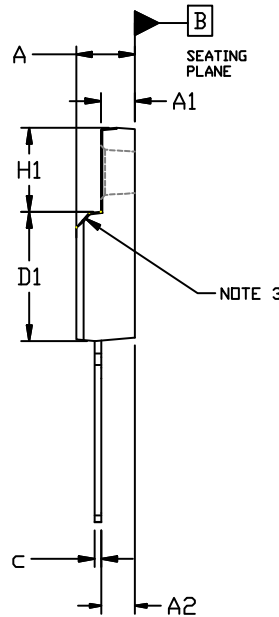
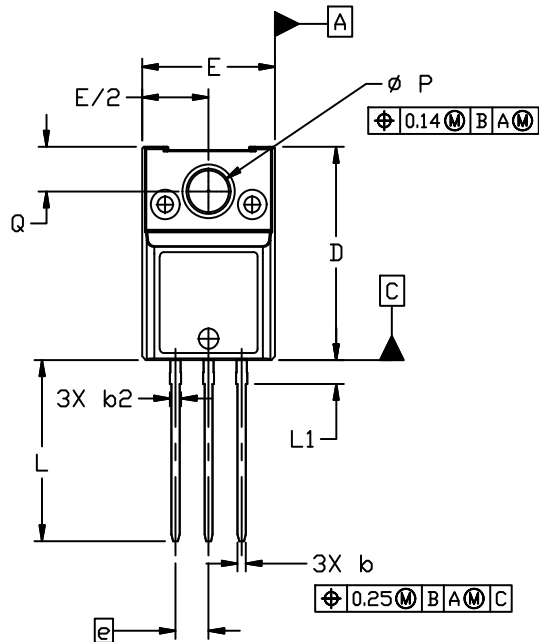
TO-220 FULLPACK, 3-LEAD (ULTRA NARROW LEAD)
CASE 221BN
ISSUE A

DATE 07 MAY 2021



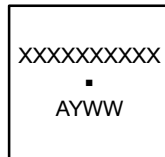
NOTES:

1. DIMENSIONING AND TOLERANCING PER ASME Y14.5M, 1994.
2. CONTROLLING DIMENSION: MILLIMETERS
3. CONTOUR UNCONTROLLED IN THIS AREA.
4. DIMENSIONS EXCLUDE BURRS, MOLD FLASH, AND TIE BAR PROTRUSIONS.



| DIM | MILLIMETERS | | |
|-----|-------------|-------|-------|
| | MIN. | NOM. | MAX. |
| A | 4.60 | 4.70 | 4.80 |
| A1 | 2.50 | 2.60 | 2.70 |
| A2 | 2.47 | 2.57 | 2.67 |
| b | 0.56 | 0.63 | 0.69 |
| b2 | --- | --- | 0.90 |
| c | 0.46 | 0.53 | 0.59 |
| D | 15.80 | 16.00 | 16.20 |
| D1 | 9.58 | 9.68 | 9.78 |
| E | 10.00 | 10.20 | 10.40 |
| e | 2.54 BSC | | |
| H1 | 6.32 REF | | |
| L | 13.45 | 13.60 | 13.75 |
| L1 | 1.70 | 1.80 | 1.90 |
| P | 3.00 | 3.10 | 3.20 |
| Q | 3.25 | 3.35 | 3.45 |

GENERIC MARKING DIAGRAM*



- XXXX = Specific Device Code
- A = Assembly Location
- Y = Year
- WW = Work Week
- = Pb-Free Package

*This information is generic. Please refer to device data sheet for actual part marking. Pb-Free indicator, "G" or microdot "▪", may or may not be present. Some products may not follow the Generic Marking.

| | | |
|-------------------------|--|--|
| DOCUMENT NUMBER: | 98AON01135H | Electronic versions are uncontrolled except when accessed directly from the Document Repository. Printed versions are uncontrolled except when stamped "CONTROLLED COPY" in red. |
| DESCRIPTION: | TO-220 FULLPACK, 3-LEAD (ULTRA NARROW LEAD) | PAGE 1 OF 1 |

onsemi and ONSEMI are trademarks of Semiconductor Components Industries, LLC dba onsemi or its subsidiaries in the United States and/or other countries. onsemi reserves the right to make changes without further notice to any products herein. onsemi makes no warranty, representation or guarantee regarding the suitability of its products for any particular purpose, nor does onsemi assume any liability arising out of the application or use of any product or circuit, and specifically disclaims any and all liability, including without limitation special, consequential or incidental damages. onsemi does not convey any license under its patent rights nor the rights of others.