

## Test Procedure for the NCP139AFCT05ADJT2G Demo Board

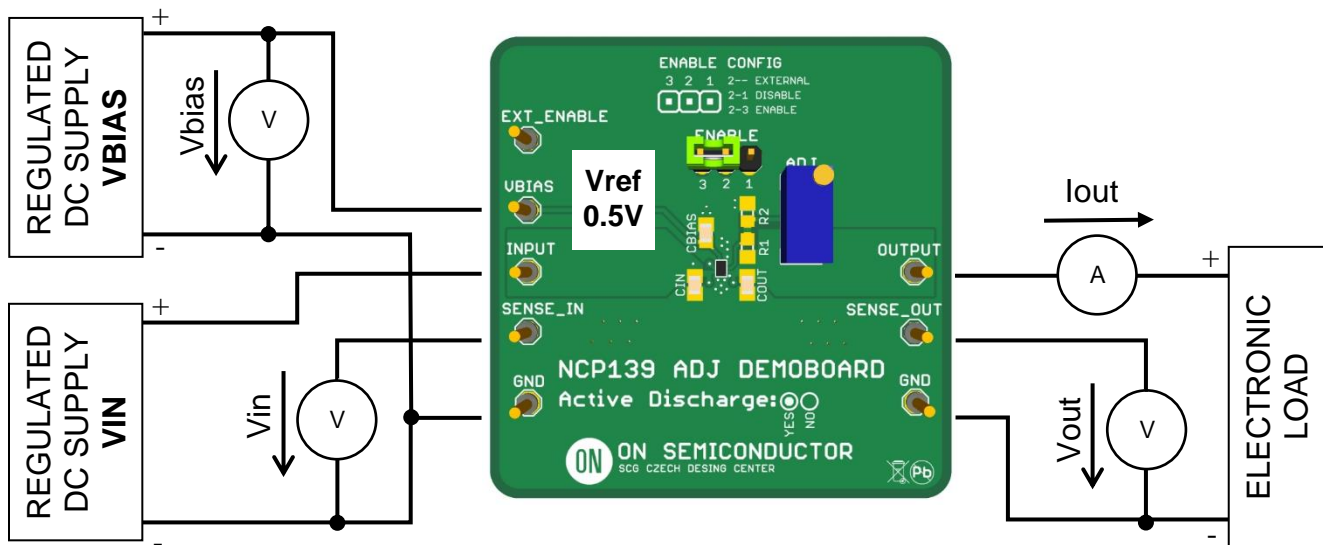


Figure 1: Test Setup

### Test Procedure

1. Connect the test setup as shown in Figure 1.
2. Apply supply voltage  $V_{bias} = 5.5\text{ V}$
3. Apply supply voltage  $V_{in} = 3.5\text{ V}$
4. Apply  $I_{out} = 10\text{ mA}$  load.
5. Set the desired  $V_{out}$  in range from  $0.5\text{ V}$  to  $3.0\text{ V}$  by trimer ADJ.
6. Set the supply voltage  $V_{in}$  to  $V_{out} + 0.5\text{ V}$
7. Increase  $I_{out}$  load current to  $1.0\text{ A}$
8. Check the Output Voltage  $V_{out}$  is  $V_{out} @ 10\text{ mA} \pm 1\%$
9. Power down the load
10. Power down  $V_{in}$  and  $V_{bias}$  supply
11. End of test