



## Test Procedure for the NCP130BMX180TCG Demo Board

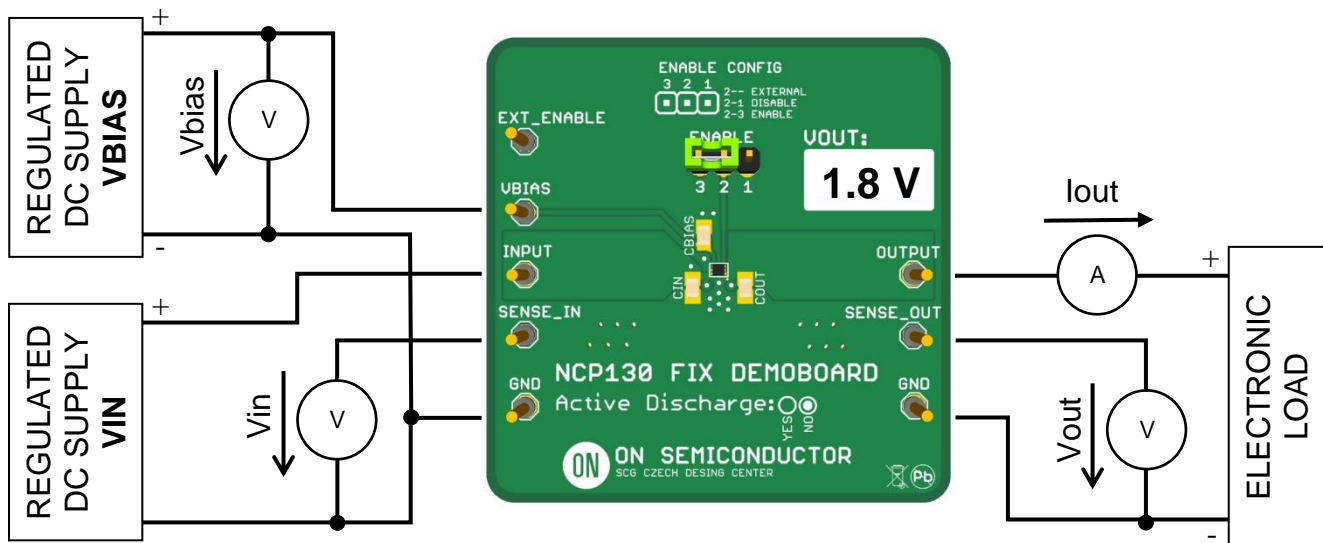


Figure 1: Test Setup

### Test Procedure

1. Connect the test setup as shown in Figure 1.
2. Apply supply voltage  $V_{bias} = 5.5 \text{ V}$
3. Apply supply voltage  $V_{in} = 2.1 \text{ V}$
4. Apply  $I_{out} = 10 \text{ mA}$  load.
5. Check the Output Voltage  $V_{out} = 1.8 \text{ V} \pm 1.5\%$
6. Increase  $I_{out}$  load current to 0.3 A
7. Check the Output Voltage  $V_{out} = 1.8 \text{ V} \pm 1.5\%$
8. Power down the load
9. Power down  $V_{in}$  and  $V_{bias}$  supply
10. End of test