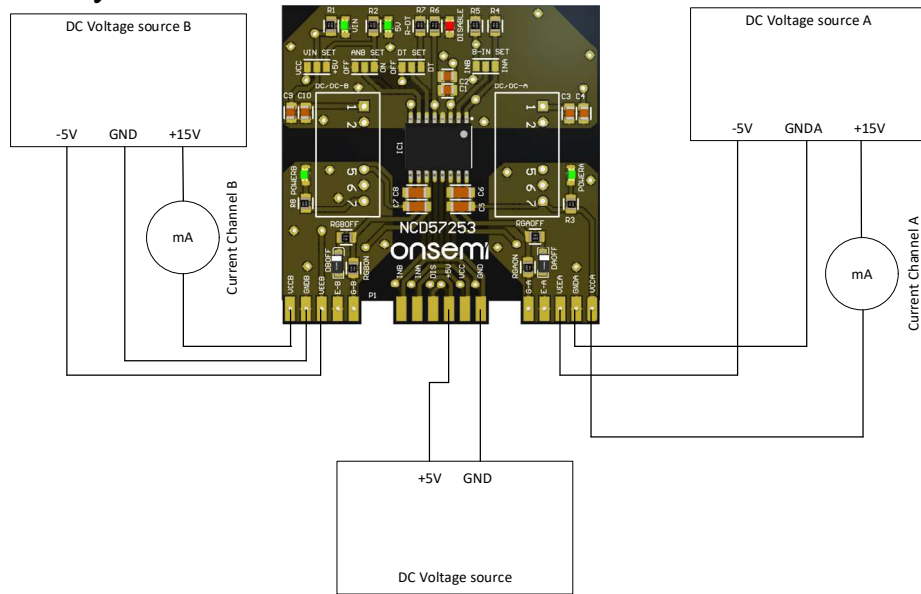


Test Procedure for the NCD57253GEVB Evaluation Board

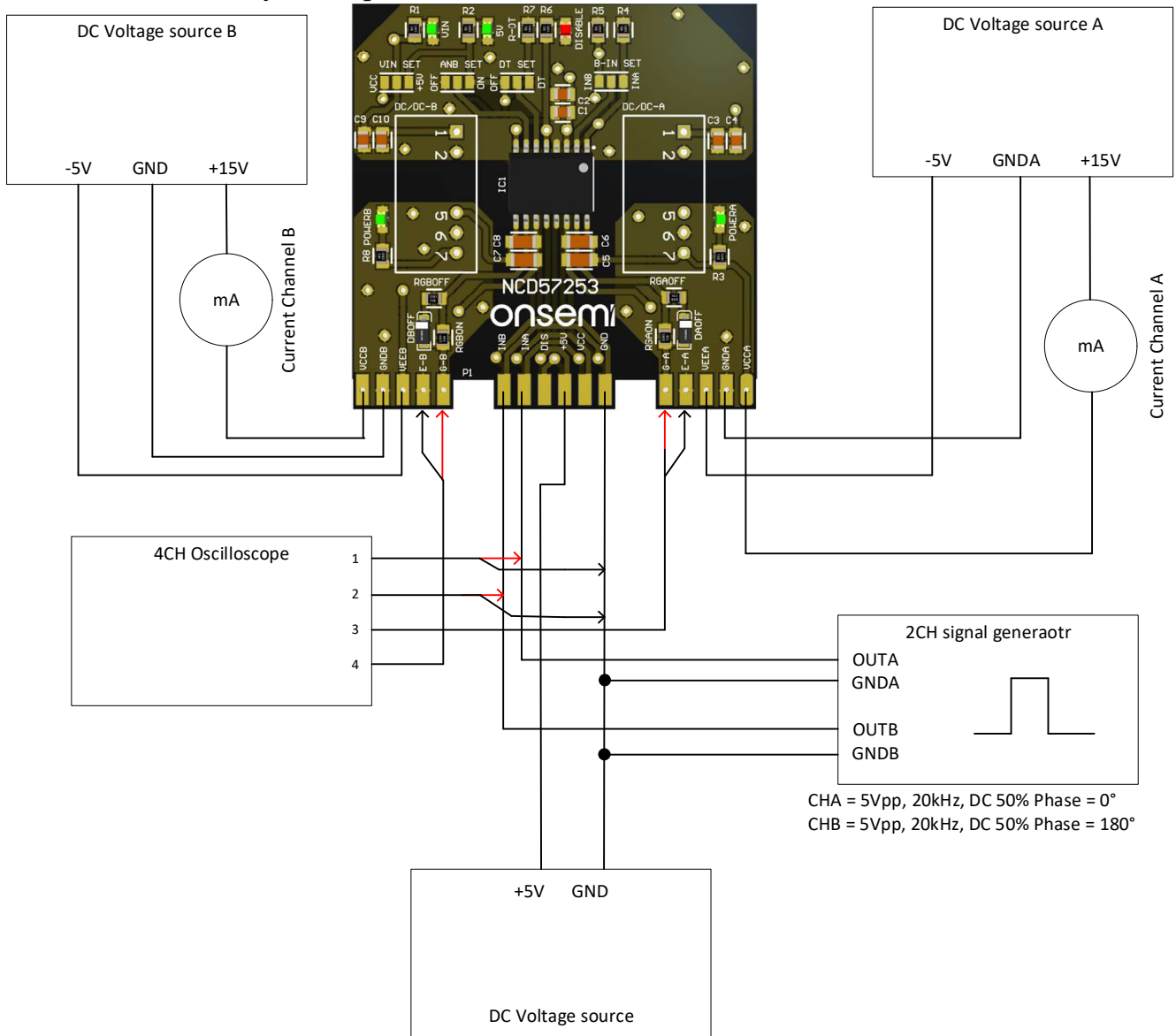
This document is used to test the NCD57253GEVB before its first use, it is used to ensure the functionality of each evaluation board

Test 1: Continuity test



- 1) Power up Voltage sources
- 2) Measure input currents – value must be lower than 10mA per channel

Test 2: Functionality / Setup Test



- 1) Power up Voltage sources
- 2) Power up Signal Generators
- 3) Check input Current - value must be lower than 10mA per channel
- 4) Check A and B Currents - value must be lower than 50mA per channel
- 5) Check input signals – signals need to be in opposite phase without deadtime
- 6) Check output signals – output signal must be in phase with input signal with 100ns delay maximum

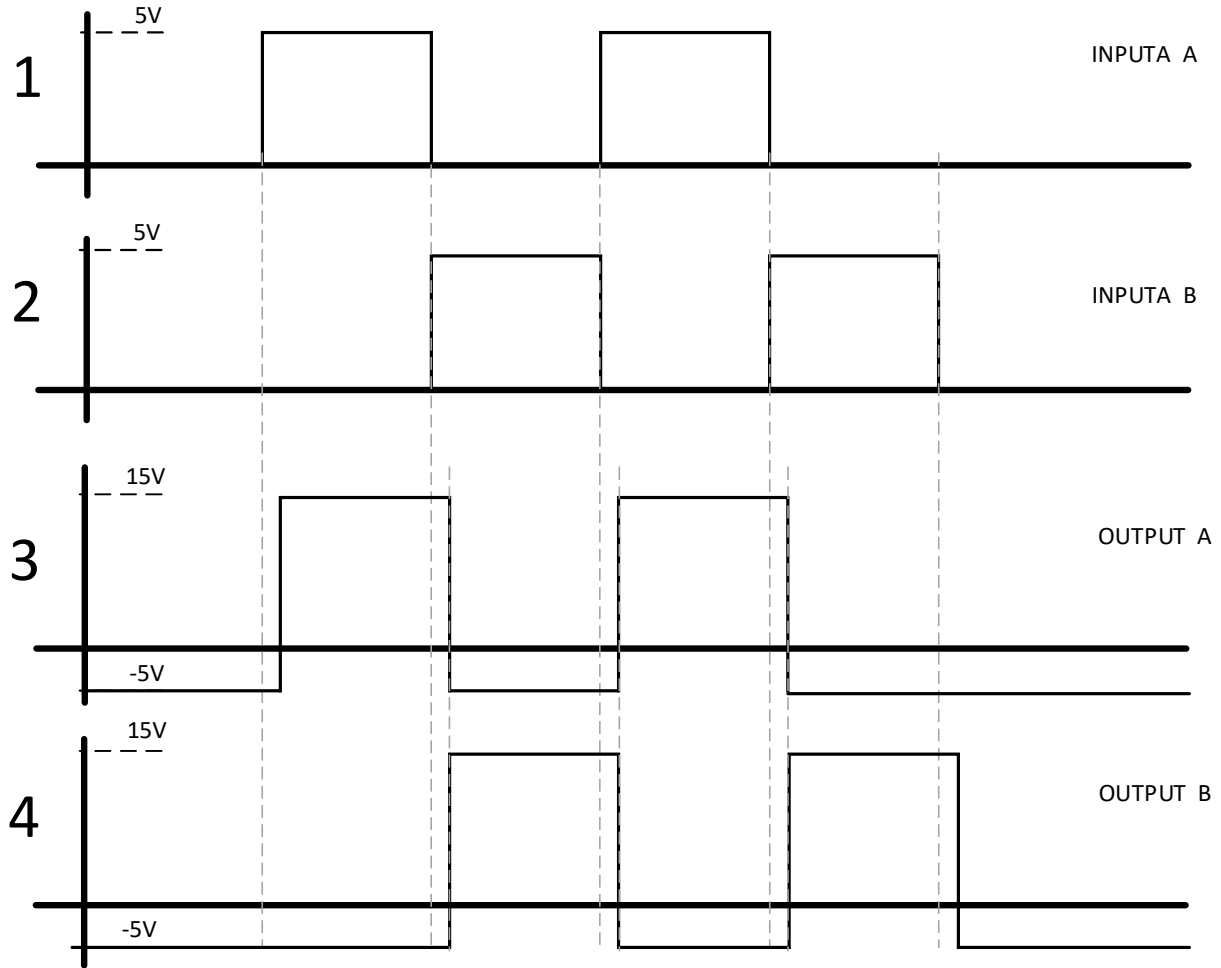


Figure 1. expected timing of the measured voltage