

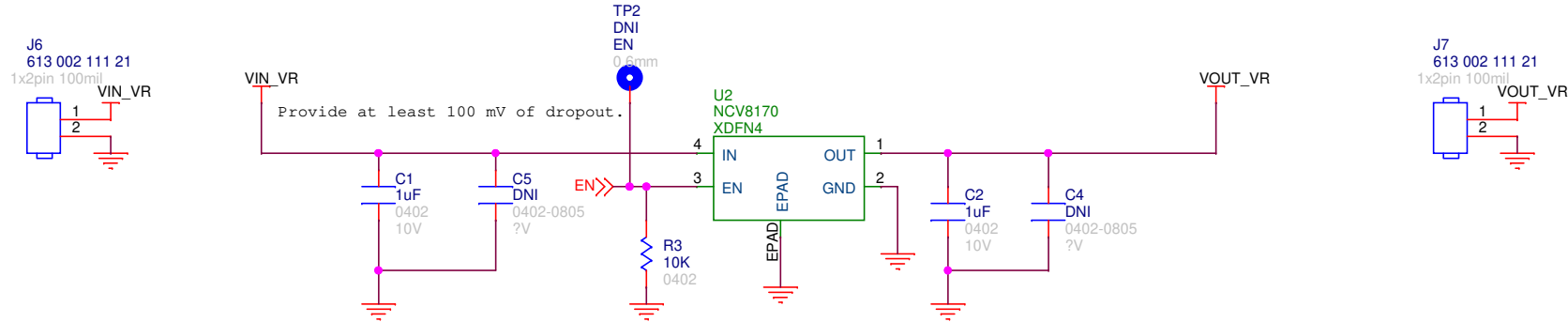


ON Semiconductor®
XDFN4 LDO

ON Semiconductor

Title XDFN4 LDO		
Size Custom	Document Number ONSEC-18-016	Rev REV1
Date:	Wednesday, January 16, 2019	Sheet 1 of 4

XDFN4 LDO CASE 711AJ



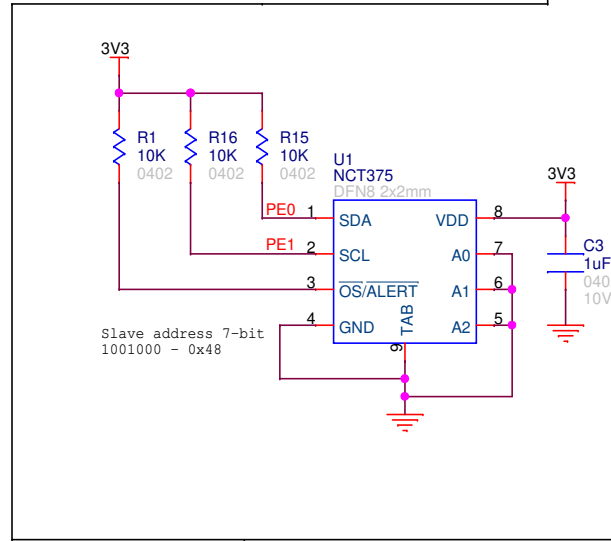
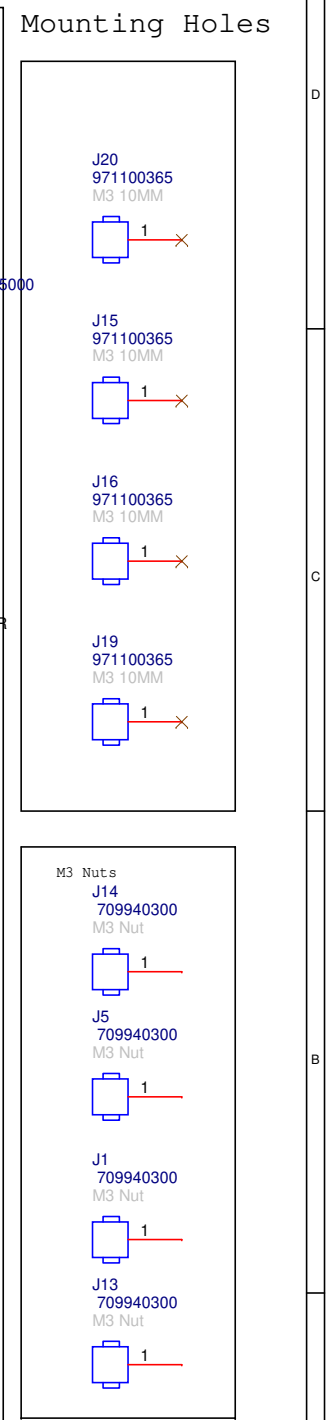
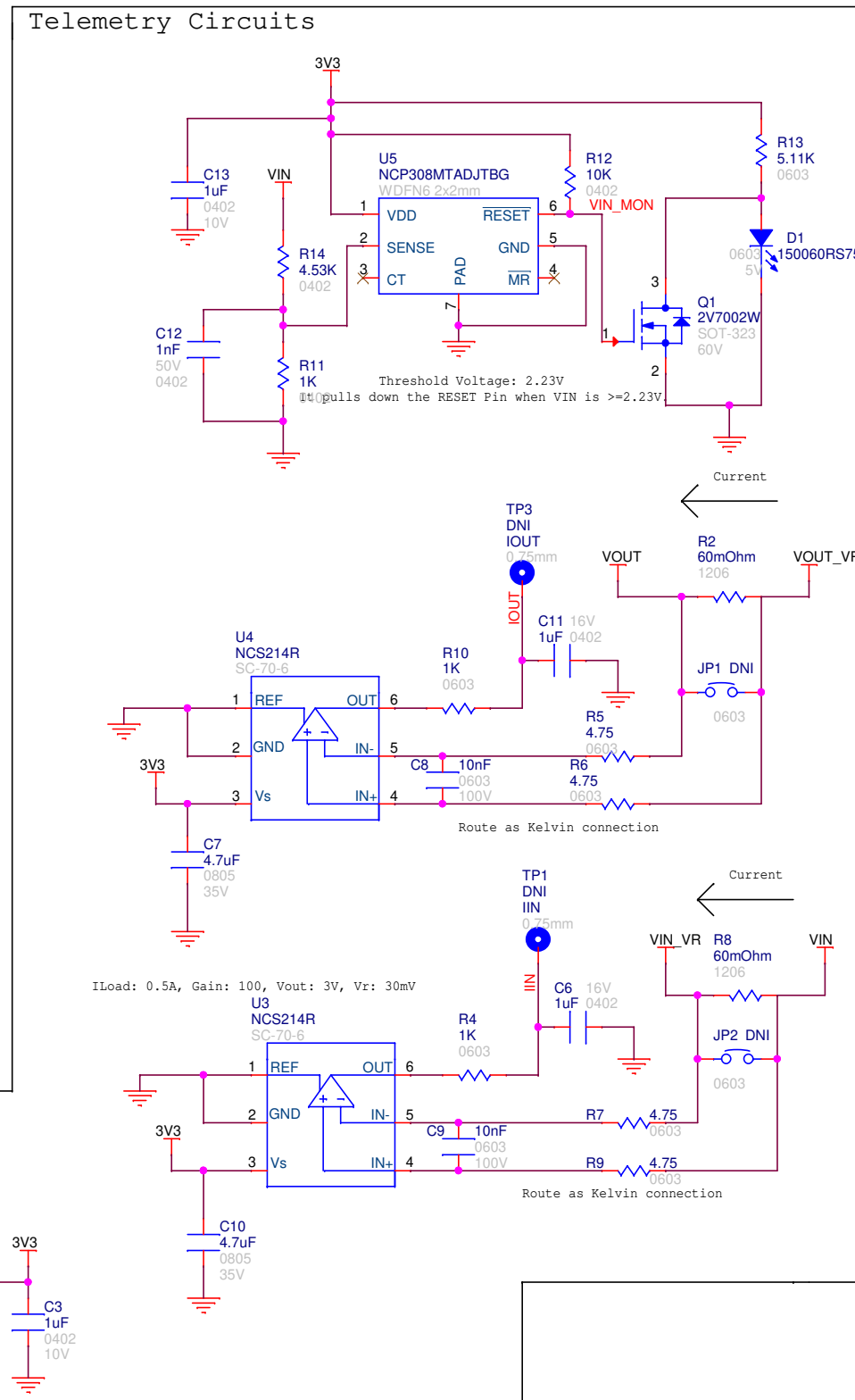
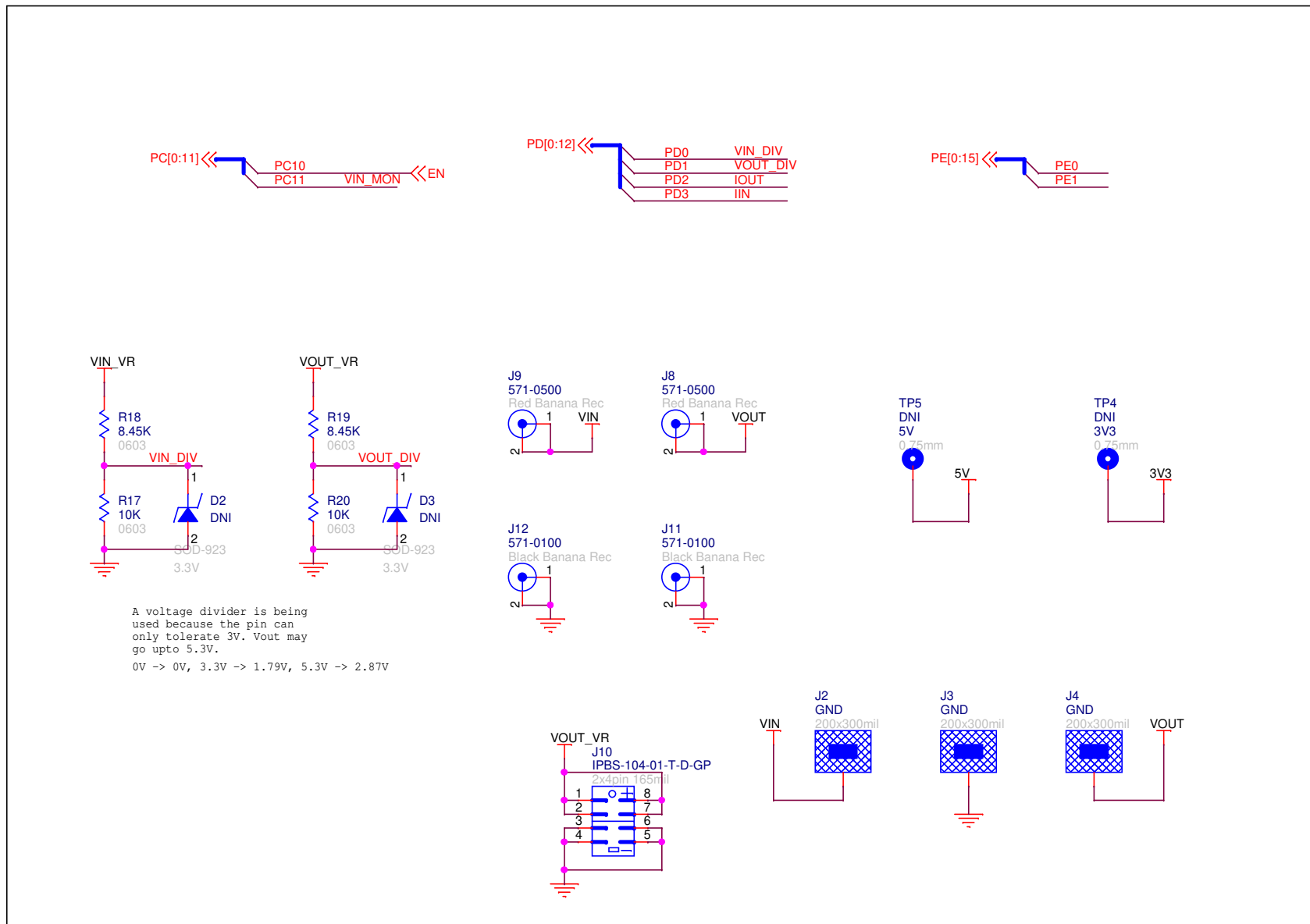
NCV8170AMX180TCG
Vout = 1.8V
Imax = 150mA

Config A board doesn't support multiple power modes like the config B board. The parts compatible with this board are given below.

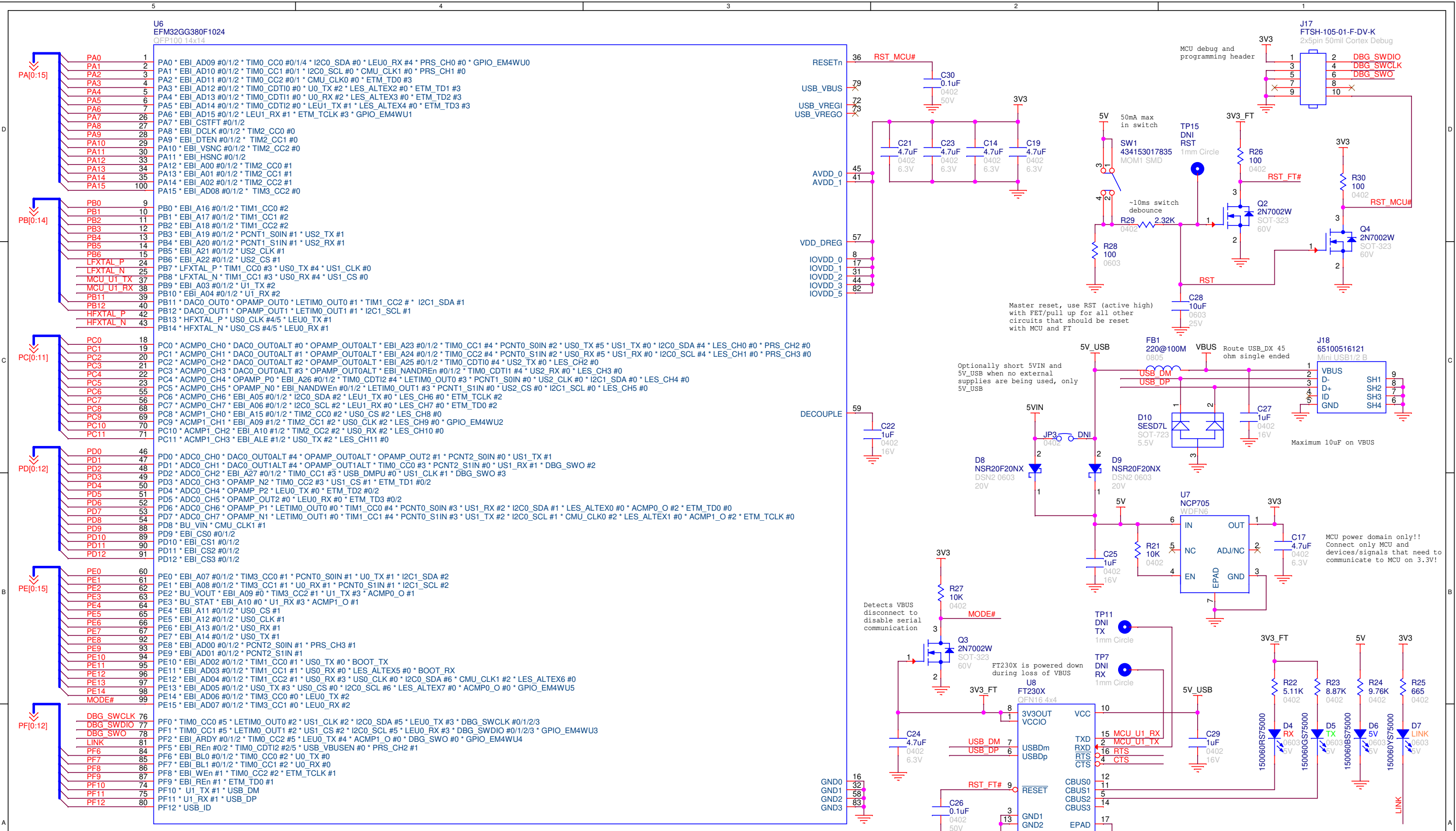
CONFIG A LDOs: NCP110, NCP115,
NCP177, NCV8163, NCV8177,
NCP140, NCP160, NCP161,
NCP163, NCP170, NCP707,
NCP717, NCV8160, NCV8161,
NCV8170

ON Semiconductor		
Title XDFN4 LDO		
Size Custom	Document Number ONSEC-18-016	Rev REV1
Date:	Tuesday, March 12, 2019	Sheet 2 of 4

Telemetry / Connectors



ON Semiconductor		
Title XDFN4 LDO		
Size Custom	Document Number ONSEC-18-016	Rev REV1
Date: Wednesday, February 20, 2019	Sheet 3 of 4	



ON Semiconductor		
Title XDFN4 LDO		
Size Custom	Document Number ONSEC-18-016	Rev REV1
Date: Tuesday, January 29, 2019	Sheet 4	of 4