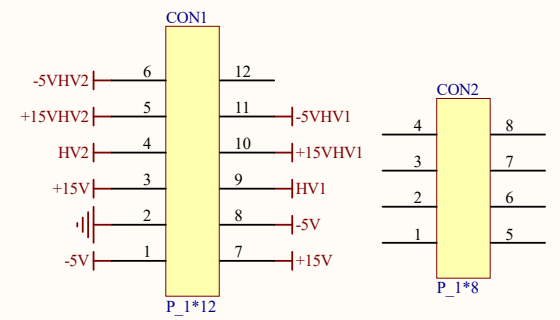
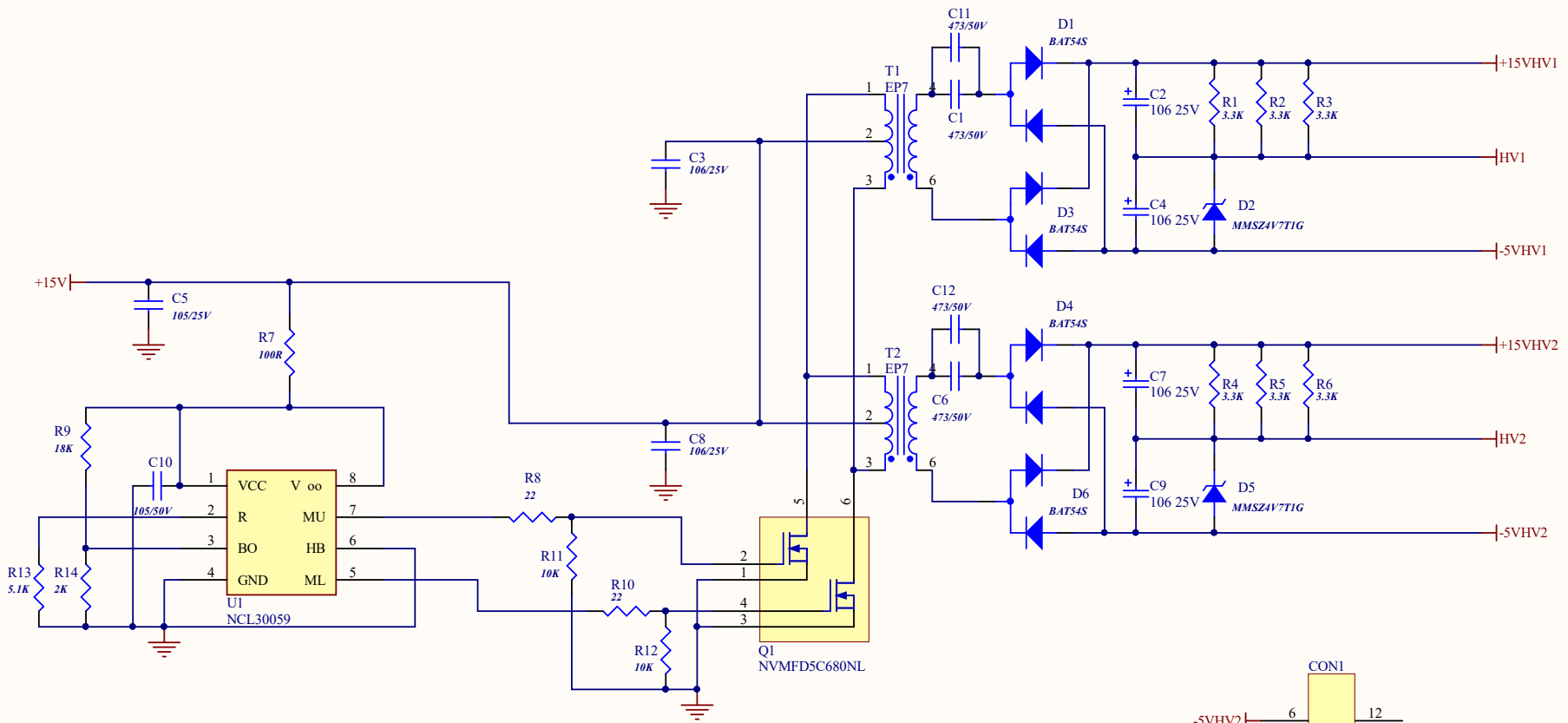


T		
S	Nu r	R o
A		
D*	10 21 2019	S o
F	C u F* PFC_Co ro Bo*r V2.0 SD Do B	

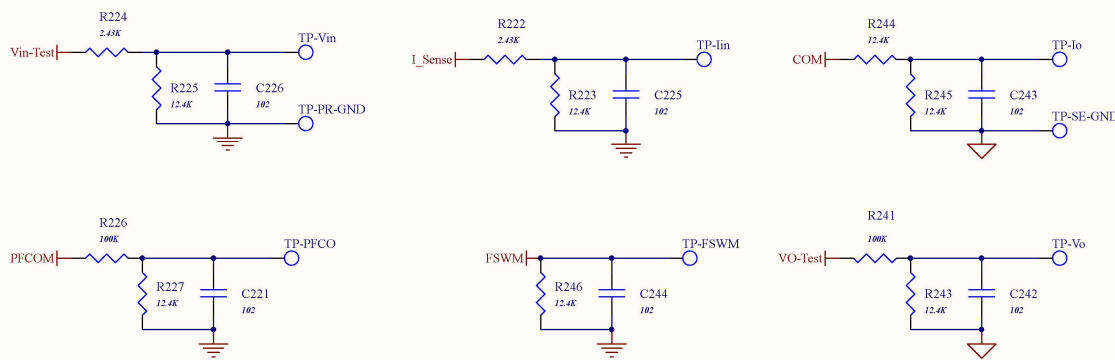
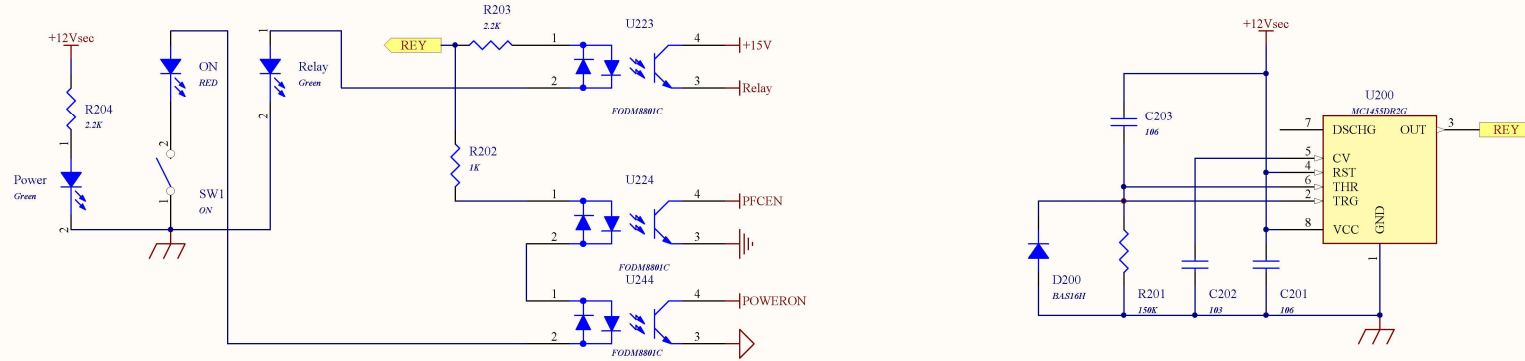
Comment	Description	Designator	Footprint	LibRef	Quantity
101/50V		C16, C30, C32, C34	SMT_0805_C	CAP_0805	4
225/25V		C17	SMT_0805_C	CAP_0805	1
103/50V		C18, C25, C28, C35	SMT_0805_C	CAP_0805	4
473/50V		C20	SMT_0805_C	CAP_0805	1
474		C21	SMT_0805_C	CAP_0805	1
104		C22	SMT_0805_C	CAP_0805	1
471/50V		C23, C26, C27, C36	SMT_0805_C	CAP_0805	4
224/50V		C24	SMT_0805_C	CAP_0805	1
102/50V		C29, C31, C33, C40, C43, C46	SMT_0805_C	CAP_0805	6
106/25V		C37	SMT_1206_C	CAP NP	1
222/50V		C39, C41, C42, C44, C45, C47	SMT_0805_C	CAP_0805	6
103		C92	SMT_0805_C	CAP_0805	1
PFC Control		CON1	PFC Control	P_1*20	1
BAV99		D1	SOT-23-3L	D_BAT54S_SOT-23-3L	1
1uH		L22	BEAD-2016	INDUCTOR IRON	1
2N7002		Q23	SOT-23 MOS	Q_MOS_SOT-23	1
10K		R1, R39	SMT_0805_R	R_0805	2
470R		R2	SMT_0805_R	R_0805	1
1M	1M, 1M, [NoValue], [NoValue]	R3, R4, R20, R21	SMT_1206_R	R_1206	4
12.4KF		R15, R16, R33, R34	SMT_0805_R	R_0805	4
510R		R17, R18, R19	SMT_0805_R	R_0805	3
200K		R22	SMT_0805_R	R_0805	1
36K		R23	SMT_0805_R	R_0805	1
24K		R26	SMT_0805_R	R_0805	1
2MF		R27, R28, R29	SMT_1206_R	R_1206	3
75K		R30	SMT_0805_R	R_0805	1
33K		R31	SMT_0805_R	R_0805	1
39K		R32	SMT_0805_R	R_0805	1
8.2K		R35	SMT_0805_R	R_0805	1
18K		R36, R37, R38	SMT_0805_R	R_0805	3
47K		R40	SMT_0805_R	R_0805	1
470		R41, R42, R43, R44, R45, R46	SMT_0805_R	R_0805	6
FAN9673		U20	TQFP32 7x7_N	FAN9673	1



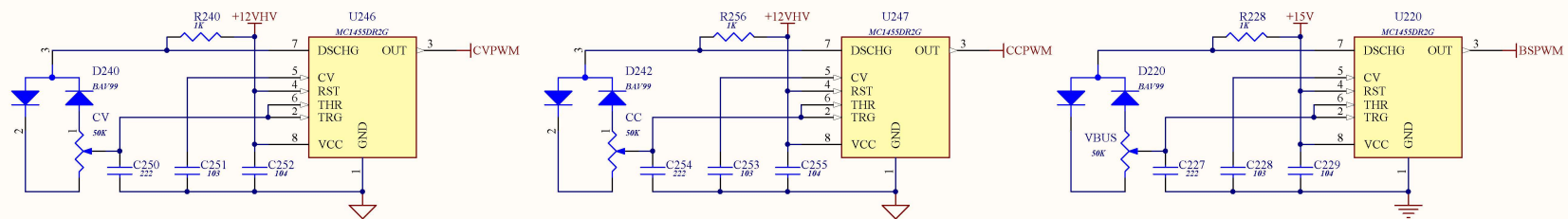
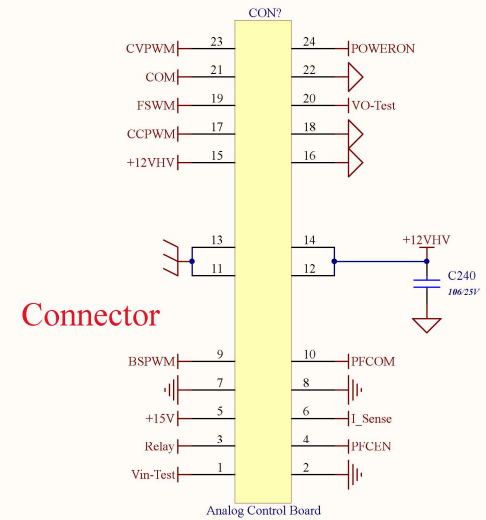
T			D
S	Nu	r	R o
A4			
D*	9 27 2019	S o	
F	C u F* LLC Co ro Bo*r S*	D#2 0B Do	

Comment	Description	Designator	Footprint	LibRef	Quantity
473/50V		C1, C6, C11, C12	SMT_1206_C	CAP NP	4
106/25V	WCAP-ATLI Aluminum Electrolytic Capacitors, 6.3x11mm, 25 Vdc, 100 uF, [NoValue], [NoValue]	C2, C3, C8	SMT_1206_CM	860080473006, CAP NP, CAP NP	3
106/25V	WCAP-ATLI Aluminum Electrolytic Capacitors, 6.3x11mm, 25 Vdc, 100 uF	C4, C7, C9	SMT_1206_C	860080473006	3
105/25V		C5	SMT_0805_C	CAP NP	1
105/50V		C10	SMT_0805_C	CAP NP	1
P_1*12		CON1	LLC-Standby	P_1*12	1
P_1*8		CON2	Pin 1*4	P_1*8	1
BAT54S		D1, D3, D4, D6	SOT-23-3L	BAT54S/SOT	4
MMSZ4V7T1G		D2, D5	SOD-123FL	DIODE ZENER	2
NVMFD5C680NL		Q1	SO8FL	MOSFET_DUAL_N	1
3.3K		R1, R2, R3, R4, R5, R6	SMT_1206_R	R	6
100R		R7	SMT_0805_R	R	1
22		R8, R10	SMT_0805_R	R	2
18K		R9	SMT_0805_R	R	1
10K		R11, R12	SMT_0805_R	R	2
5.1K		R13	SMT_0805_R	R	1
2K		R14	SMT_0805_R	R	1
EP7	Center-Tapped Transformer (Coupled Inductor Model)	T1, T2	EP7	Trans CT	2
NCL30059		U1	SOP8	NCL30059	1

ON/OFF & Relay Control Circuits



Detection Circuits



Vbus & LLC_CC/CV Control Circuits