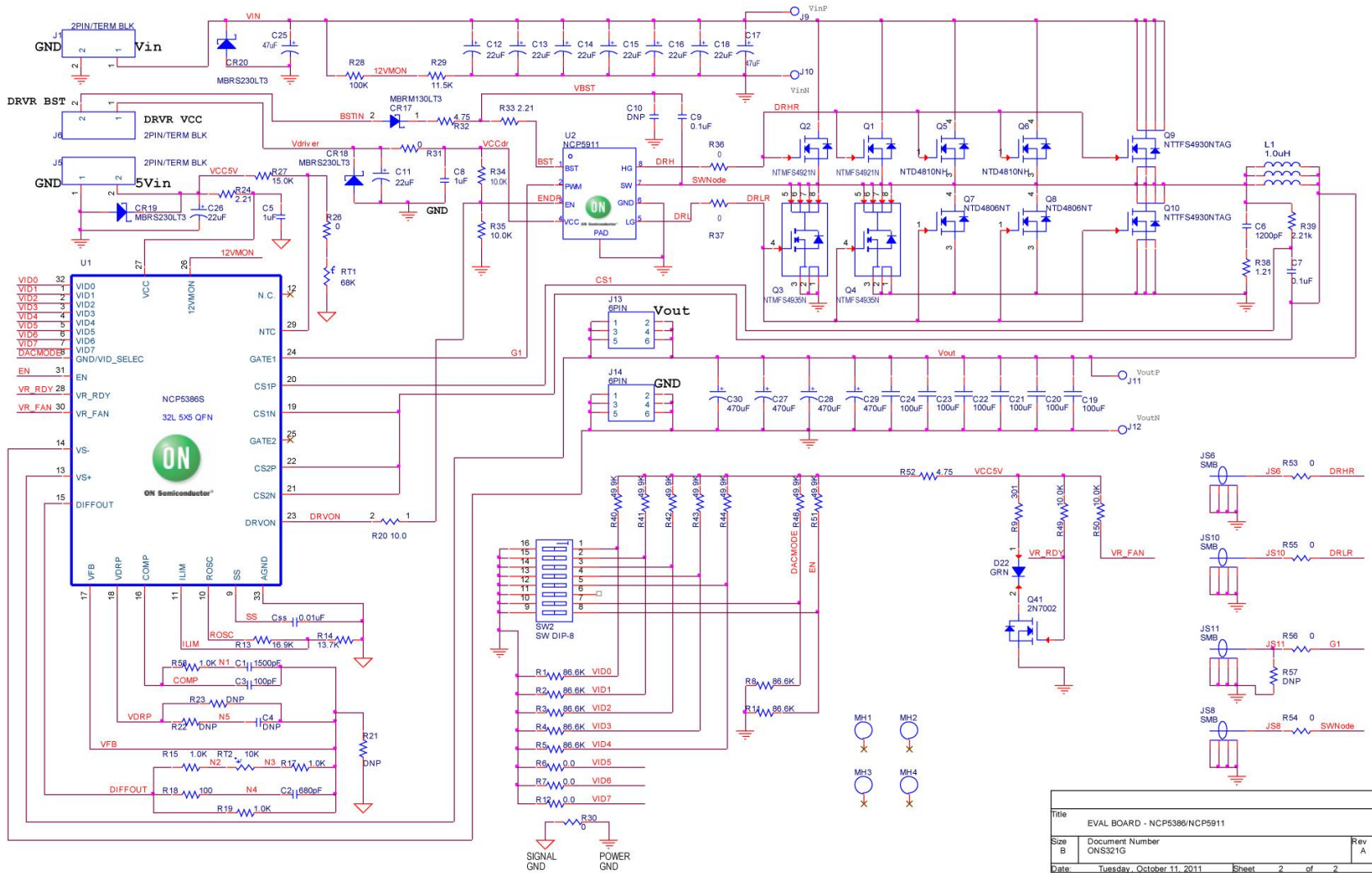




Schematic for the ONS321B12VGEVB Evaluation Board



Title		EVAL BOARD - NCP5386S/NCPS911	
Size	Document Number		Rev
B	ONS321G		A
Date:	Tuesday, October 11, 2011	Sheet	2 of 2