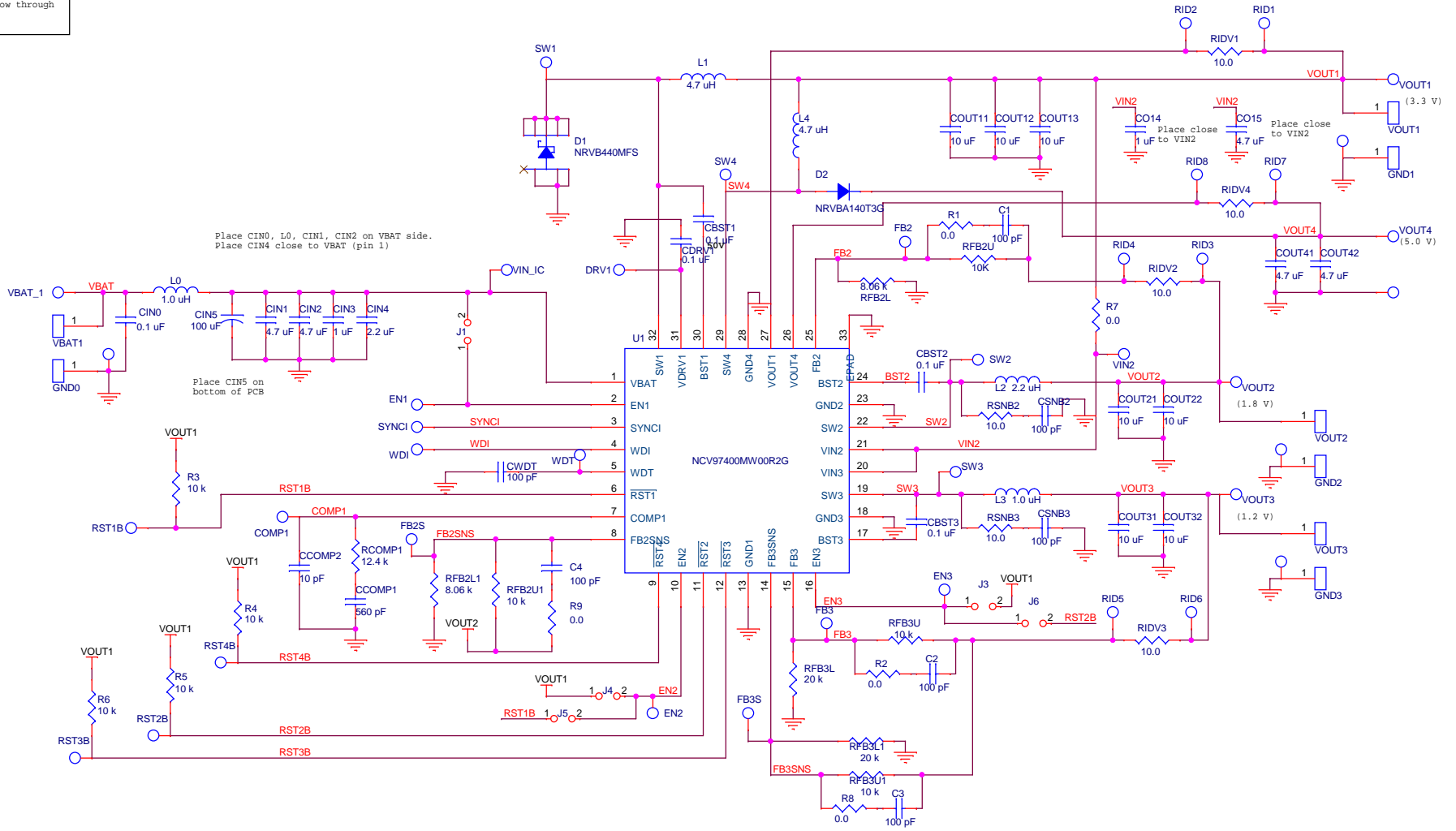


Layer 1: Routing & Ground  
 Layer 2: Ground  
 Layer 3: Routing & Ground  
 Layer 4: Ground  
 \*All grounds flow through all layers.



Place CIN0, L0, CIN1, CIN2 on VBAT side.  
 Place CIN4 close to VBAT (pin 1)

Place CIN5 on bottom of PCB

Title		
NCV97400 Evaluation Board Schematic		
Size B	Document Number Main Page	Rev 2_2
Date:	Tuesday, March 12, 2019	Sheet 1 of 1