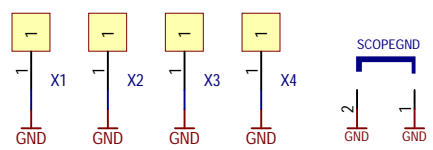
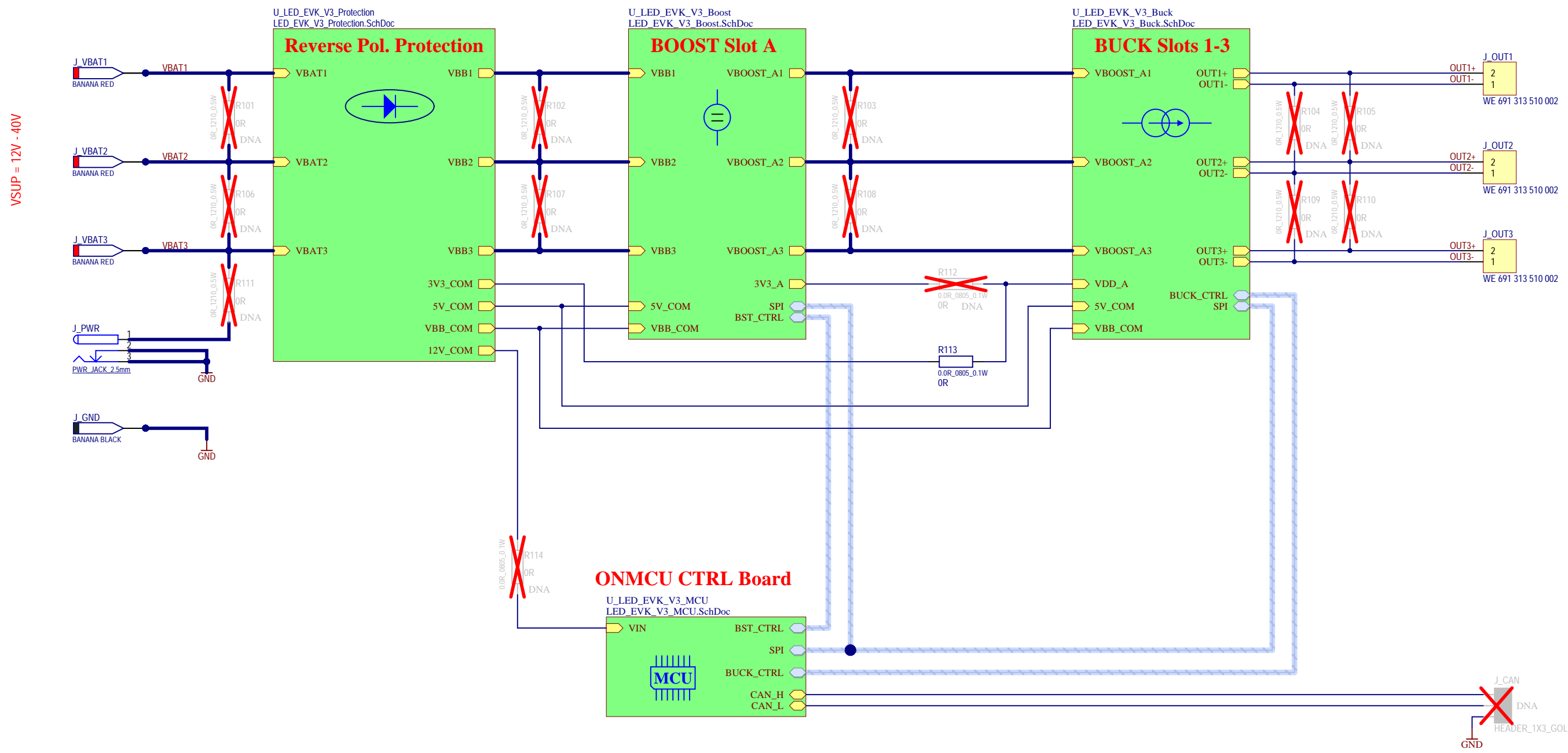
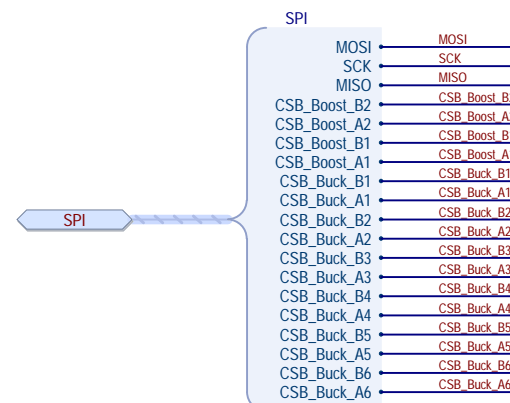
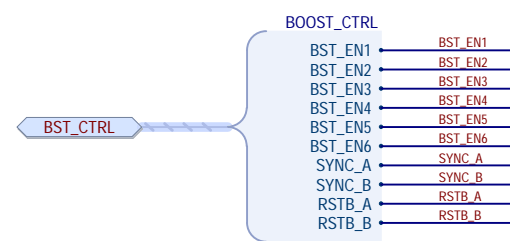
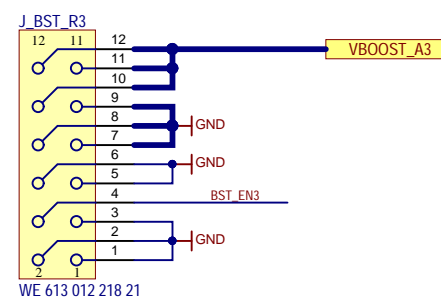
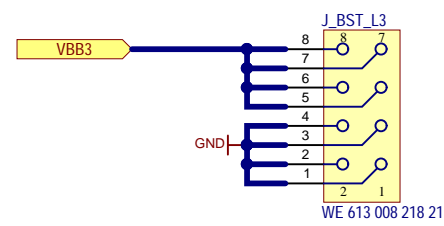
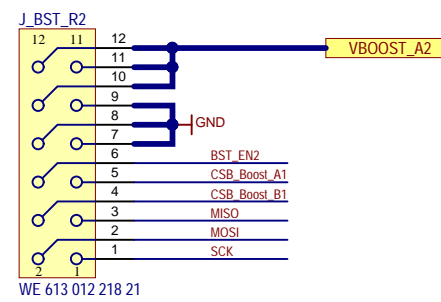
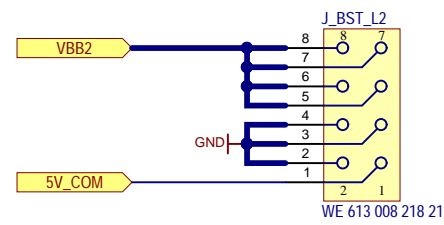
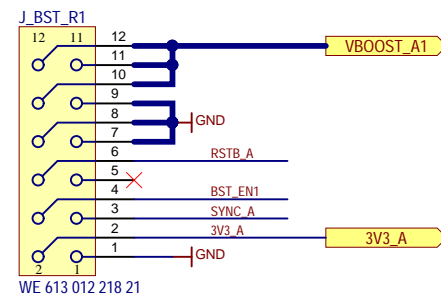
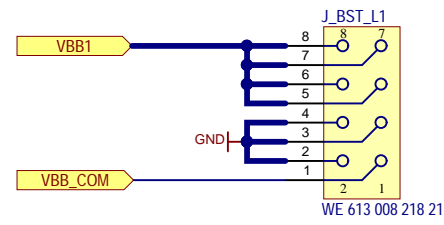


LED DRIVER EVALUATION KIT



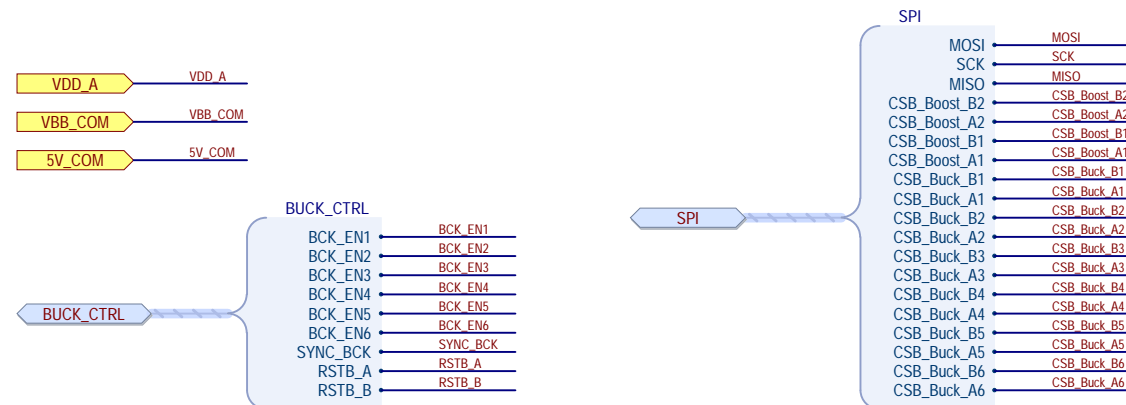
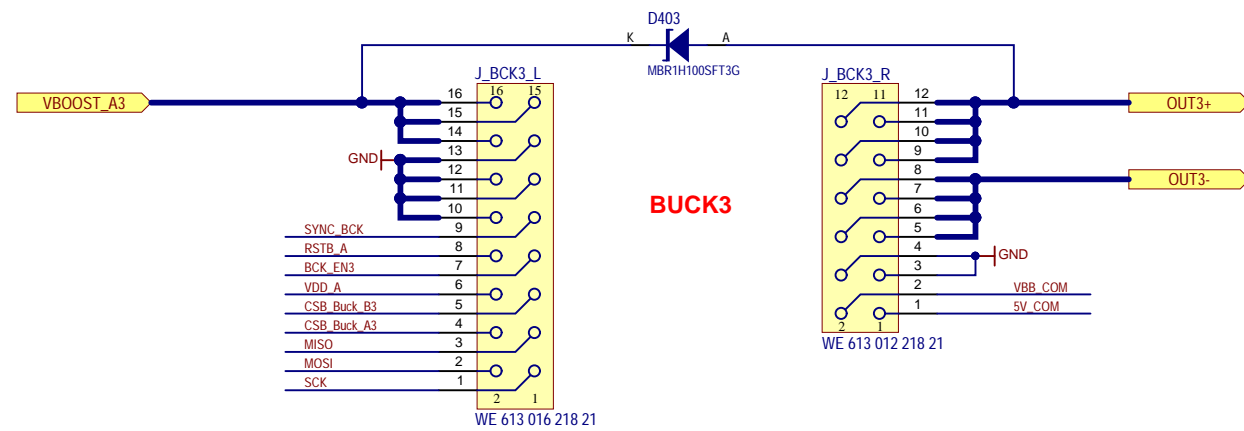
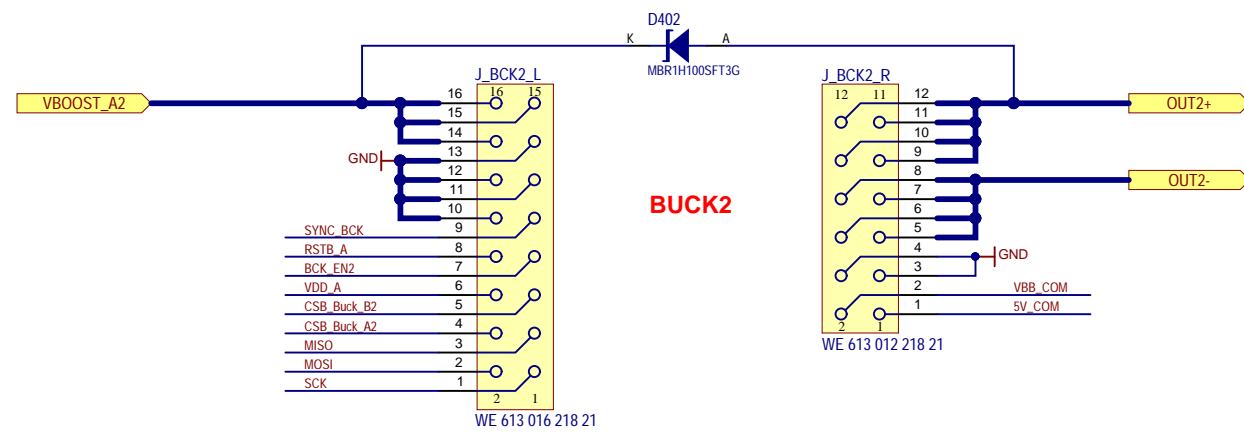
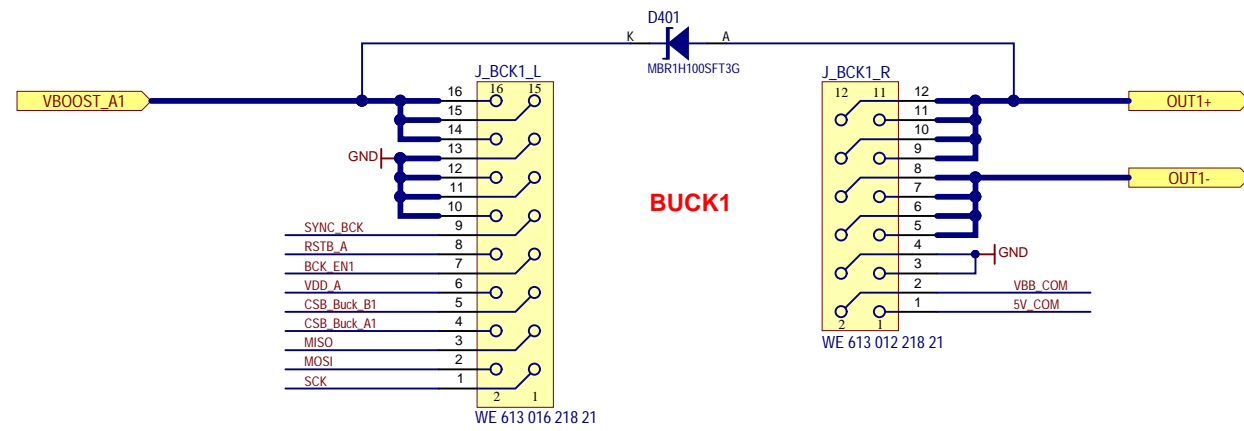
ON SEMICONDUCTOR Automotive Product Division Videnska 204/125 619 00 Brno Czech Republic					
PROJECT LED Driver EVK					
SCHEMATIC LED_EVK_V3_Top.SchDoc					
CUSTOMER ON Semiconductor			AUTHOR Jiri DANIEL		
Size A3	REV. A	SHEET No. 1	TOTAL SHEETS 5	TIMESTAMP 9/1/2017	8:14:19 PM

BOOSTER SLOT



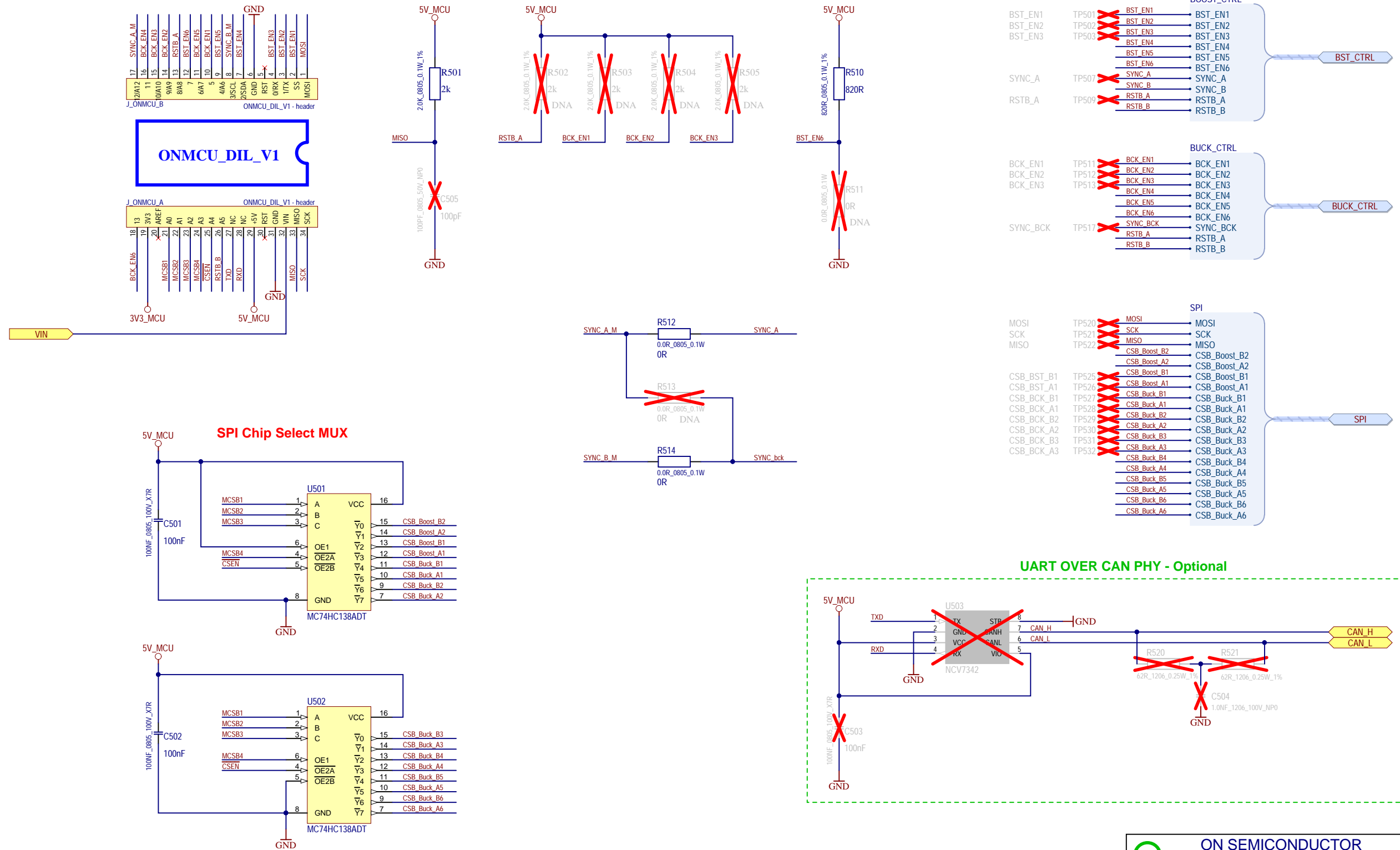
		ON SEMICONDUCTOR Automotive Product Division Videnska 204/125 619 00 Brno Czech Republic			
		PROJECT LED Driver EVK			
		SCHEMATIC LED_EVK_V3_Boost.SchDoc			
CUSTOMER		ON Semiconductor		AUTHOR Jiri DANIEL	
Size	REV.	SHEET No.	TOTAL SHEETS	TIMESTAMP	
A3	A	3	5	9/1/2017 8:14:20 PM	

BUCK SLOTS



		ON SEMICONDUCTOR	
		Automotive Product Division Videnska 204/125 619 00 Brno Czech Republic	
PROJECT		LED Driver EVK	
SCHEMATIC		LED_EVK_V3_Buck.SchDoc	
CUSTOMER		ON Semiconductor	AUTHOR Jiri DANIEL
Size A3	REV. A	SHEET No. 4	TOTAL SHEETS 5
TIMESTAMP		9/1/2017	8:14:20 PM

ONMCU CONTROL BOARD COMMUNICATION



ON SEMICONDUCTOR Automotive Product Division Videnska 204/125 619 00 Brno Czech Republic			
SCHEMATIC LED_EVK_V3_MCU.SchDoc			
CUSTOMER ON Semiconductor		AUTHOR Jiri DANIEL	
Size A3	REV. A	SHEET No. 5	TOTAL SHEETS 5
TIMESTAMP 9/1/2017 8:14:20 PM			