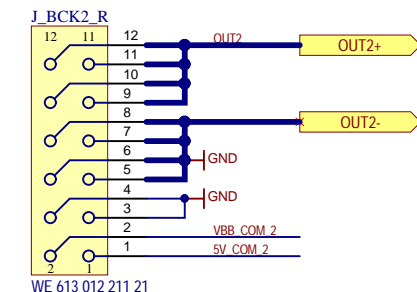
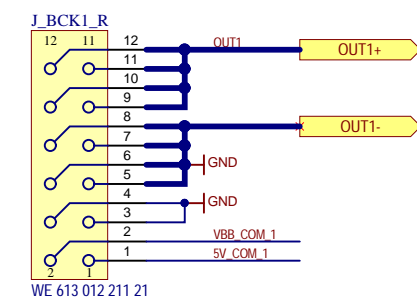
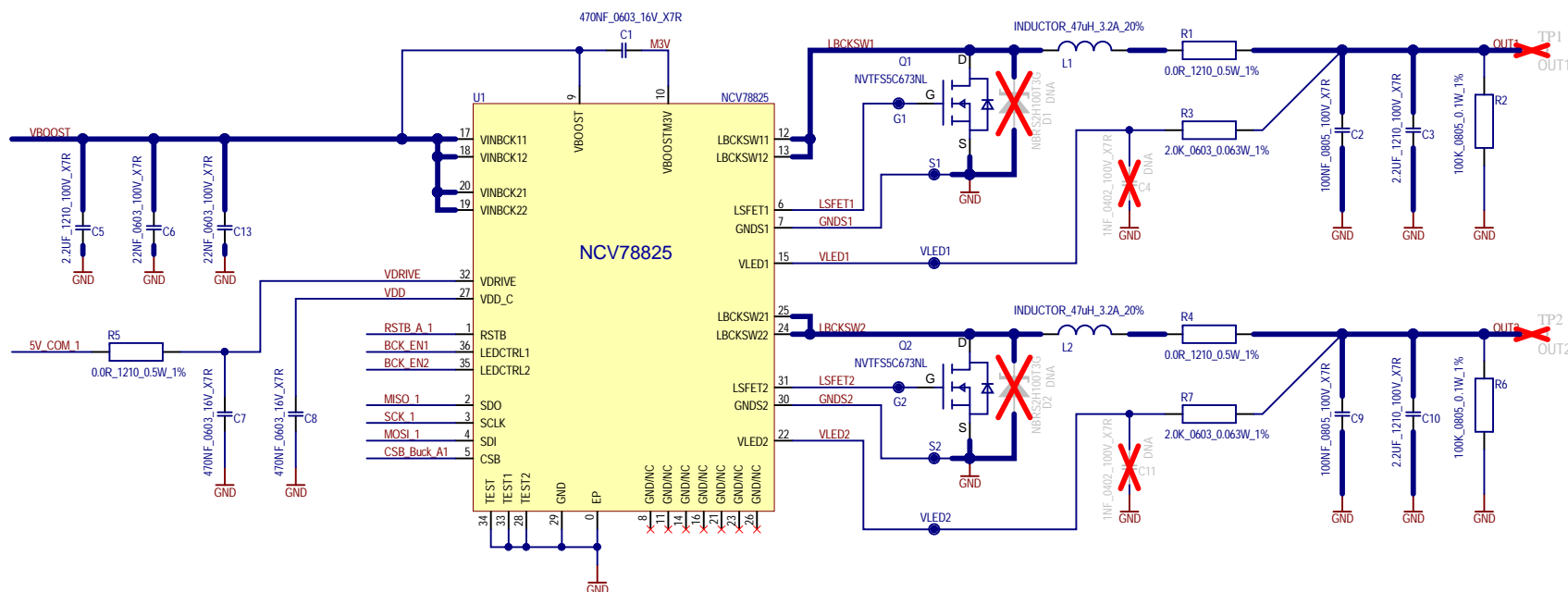
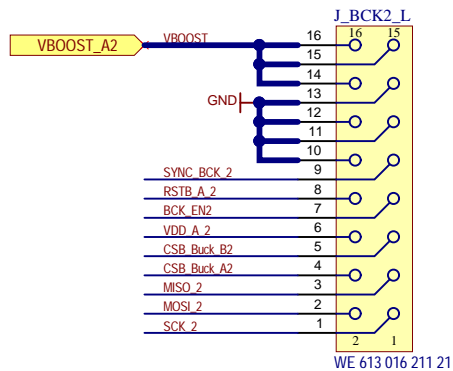
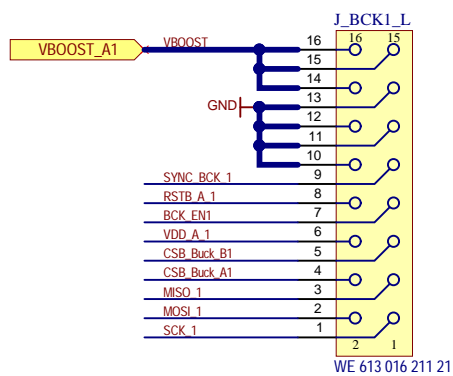
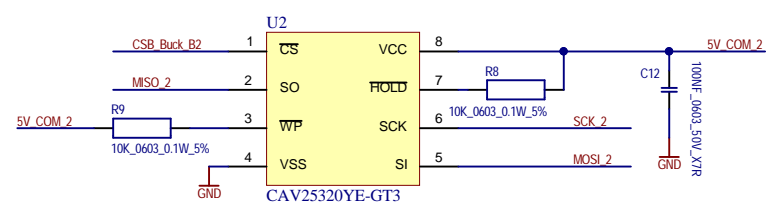


LED DRIVER NCV78825



Onboard EEPROM



		ON SEMICONDUCTOR			
		Automotive Products Division Videnska 204/125 619 00 Brno Czech Republic			
PROJECT		NCV78825 Daughter Board			
SCHEMATIC		DB_NCV78825_v1.3.SchDoc			
CUSTOMER		ON Semiconductor		AUTHOR Jiri DANIEL	
Size	REV.	SHEET No.	TOTAL SHEETS	TIMESTAMP	
A3	A	1	1	7/22/2019 1:33:26 PM	