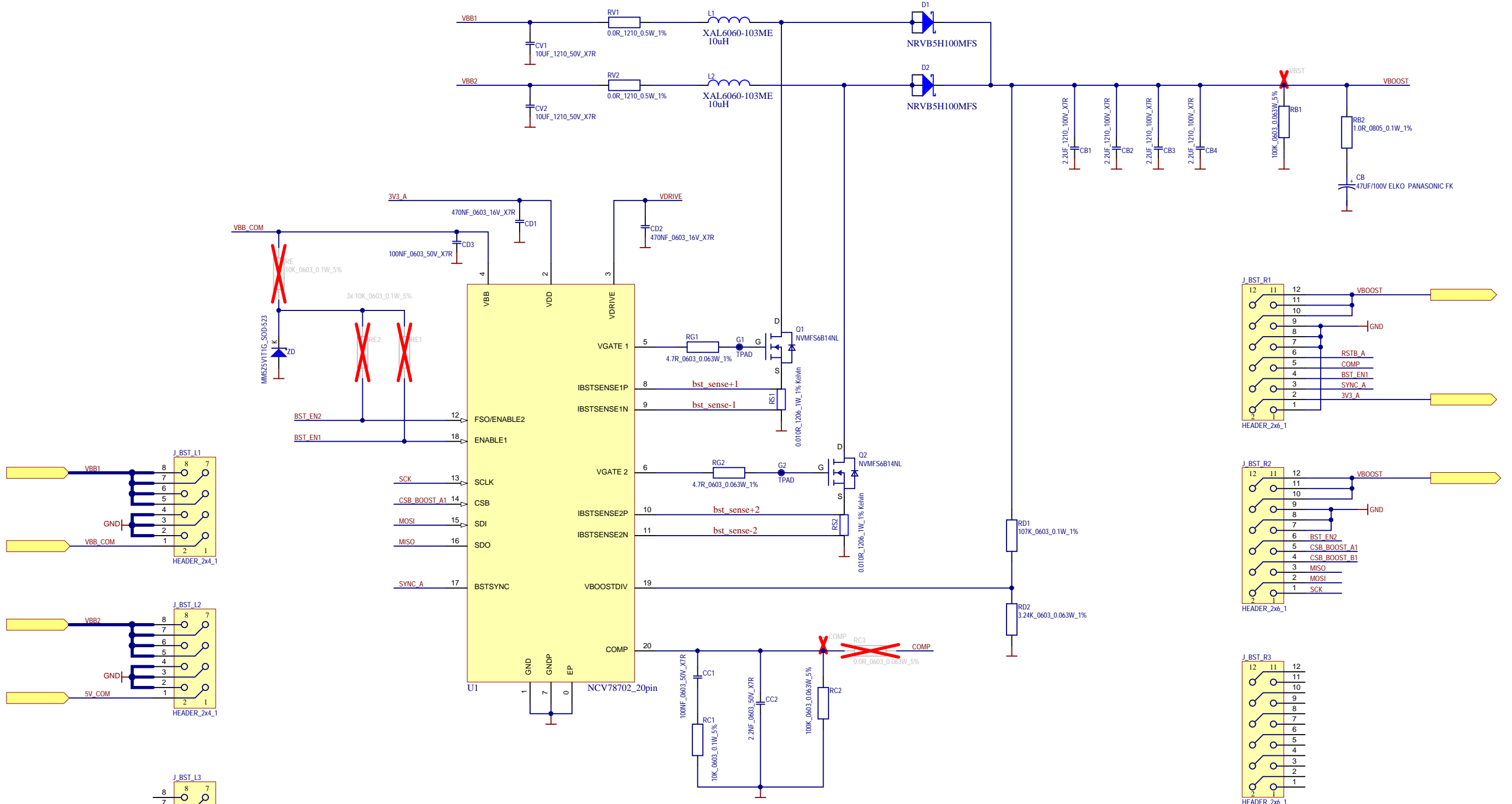
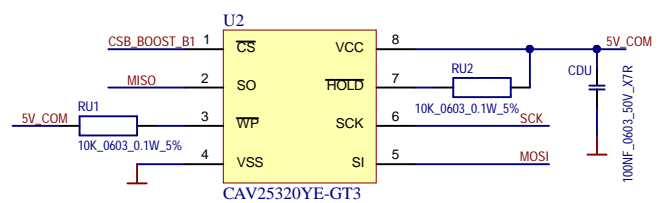


LED DRIVER NCV78702 - 2 phase Booster



Onboard EEPROM



		ON SEMICONDUCTOR Automotive Product Division Videnska 204/125 619 00 Brno Czech Republic	
		PROJECT	NCV7870x_DB_V1.1
SCHEMATIC		DB_NCV78702-3_v1.2.SchDoc	
CUSTOMER		ON Semiconductor	AUTHOR
Size		REV.	Jiri DANIEL
A3	A	SHEET No.	0
TOTAL SHEETS		TIMESTAMP	
0		4/5/2019 11:14:28 AM	