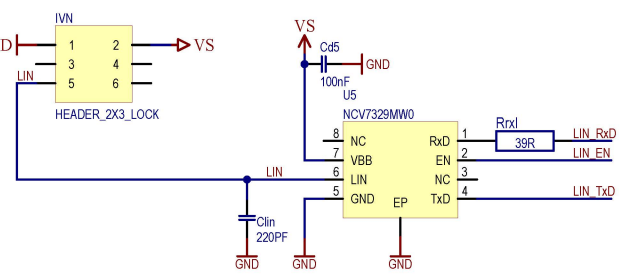
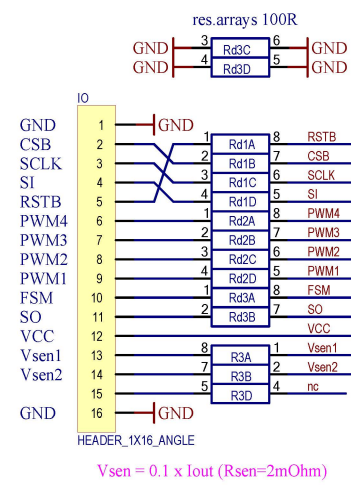


NCV7546_EVB_V1-mcu

GND	GND	VCC
VDD	S_VCC	VCC
CSB_mcu	S_CSB	CSB
SCLK_mcu	S_SCLK	SCLK
SI_mcu	S_SI	SI
SO_mcu	S_SO	SO
RSTB_mcu	S_RSTB	RSTB
PWM1_mcu	S_PWM1	PWM1
PWM2_mcu	S_PWM2	PWM2
PWM3_mcu	S_PWM3	PWM3
PWM4_mcu	S_PWM4	PWM4
FSM_mcu	S_FSM	FSM
Vsen1_mcu	S_Vsen1	Vsen1
Vsen2_mcu	S_Vsen2	Vsen2
Vsen3_mcu		nc
WD		WD
LIN_RxD		LIN_RxD
LIN_TxD		LIN_TxD
LIN_EN		LIN_EN



NOTES:

- all resistors 0603, >50mW, <5%
- all ceramic capacitors 0603, 50V, X7R

