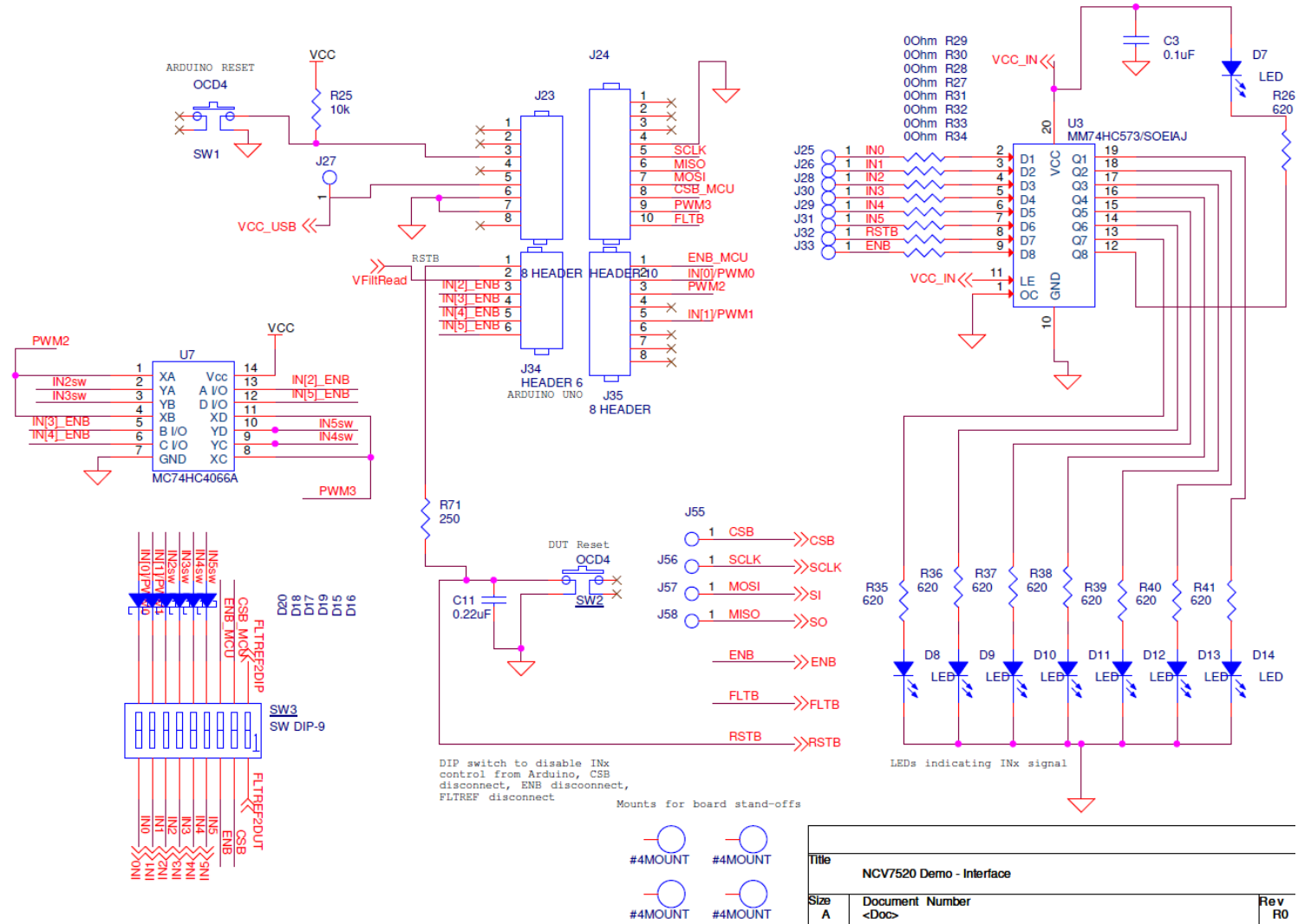


Schematic for the NCV7520GEVB Evaluation Board

Interface MCU

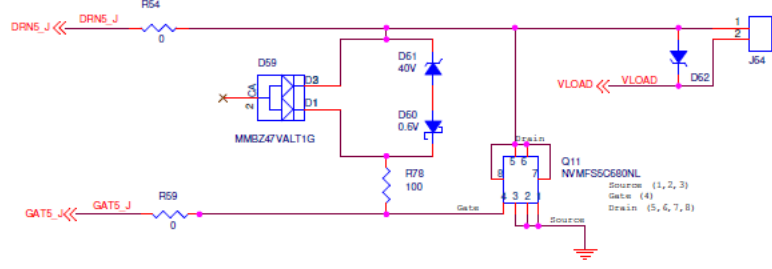
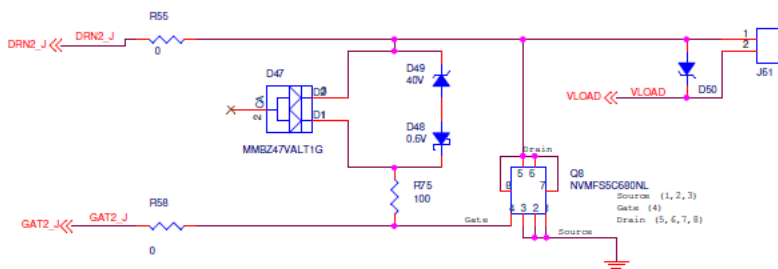
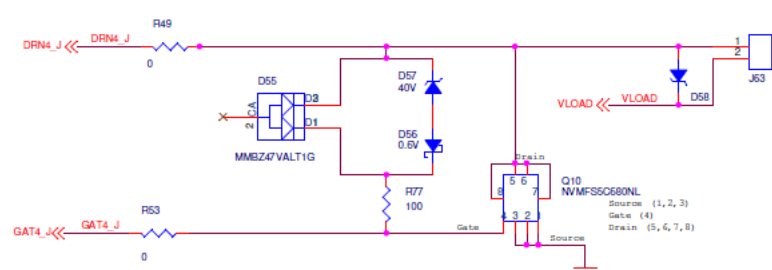
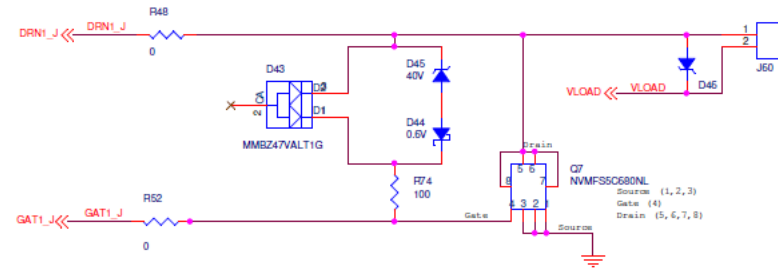
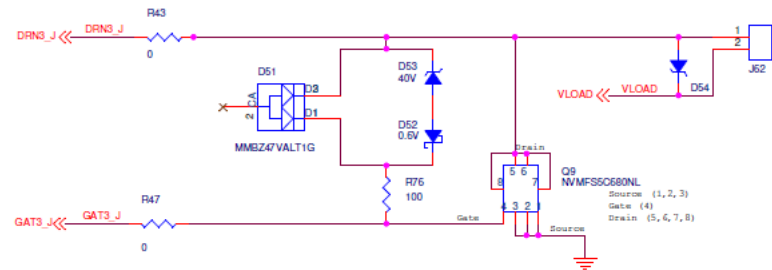
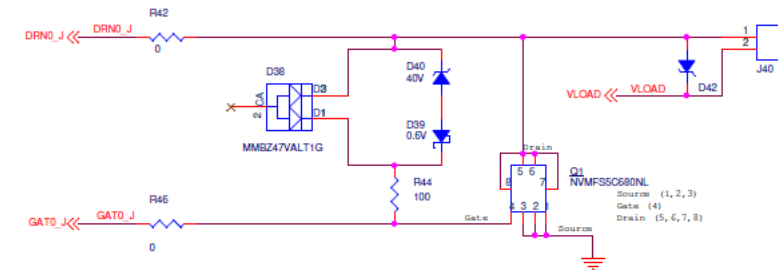


Title		
NCV7520 Demo - Interface		
Size	Document Number	Rev
A	<Doc>	R0
Date:	Tuesday, December 04, 2018	Sheet 2 of 4



Schematic for the NCV7520GEVB Evaluation Board

Loads



Three options for clamping diodes:

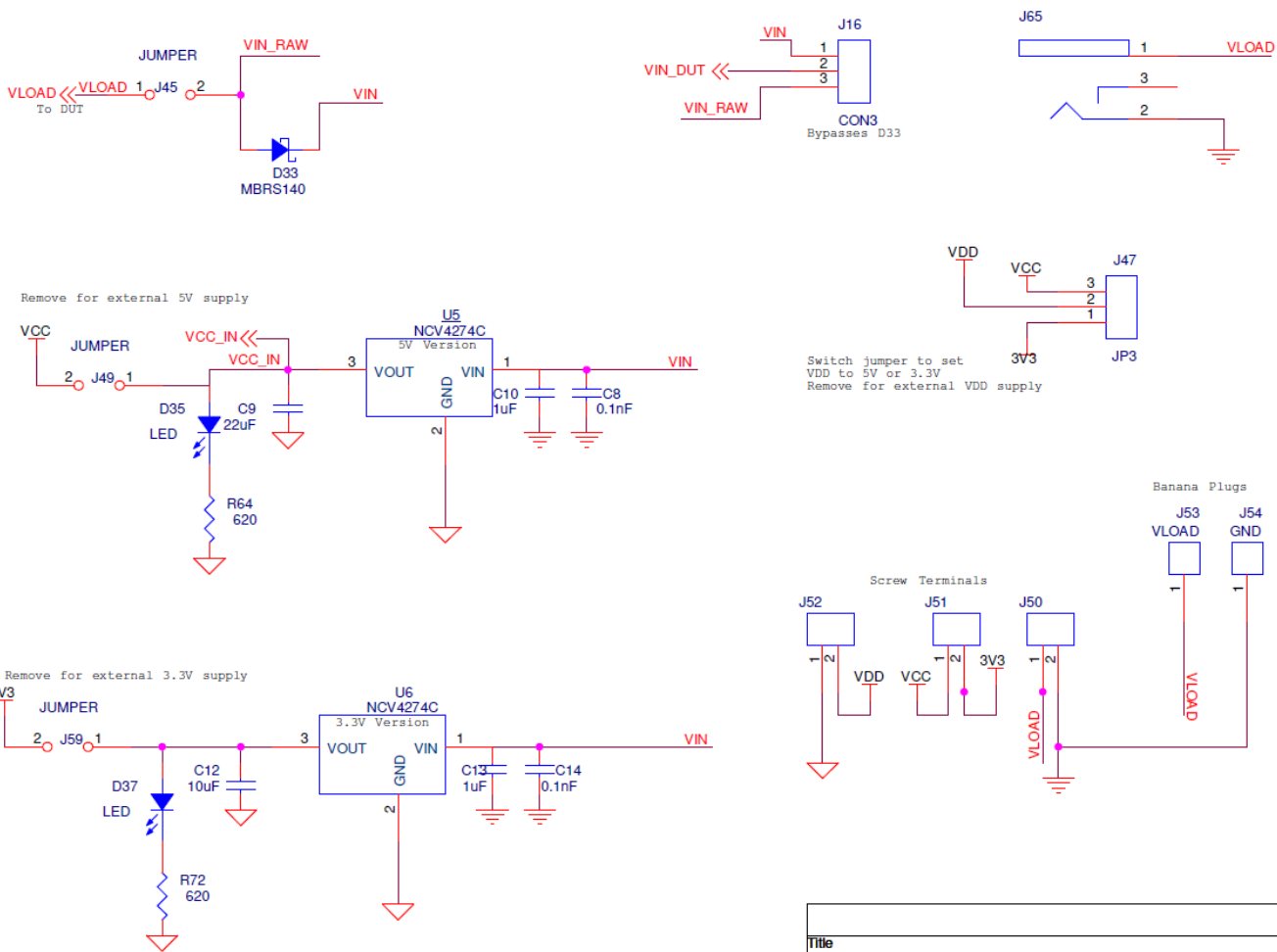
- 1) (Populated on Demo) Common anode package, Gate to Drain clamp, SOT-23 footprint
- 2) (Unpopulated) Gate to drain clamp, two SMB footprints
- 3) (Unpopulated) Current dissipation loop, VLOAD to Drain, SMB footprint
(For best results, only populate one of these options at a time)

Title			NCV7520 Demo - Loads		
Size	Document	Number	Rev	RD	
B	<Doc>				
Date:	Monday, Mar 13, 2018	Sheet	3	of	4



Schematic for the NCV7520GEVB Evaluation Board

Power

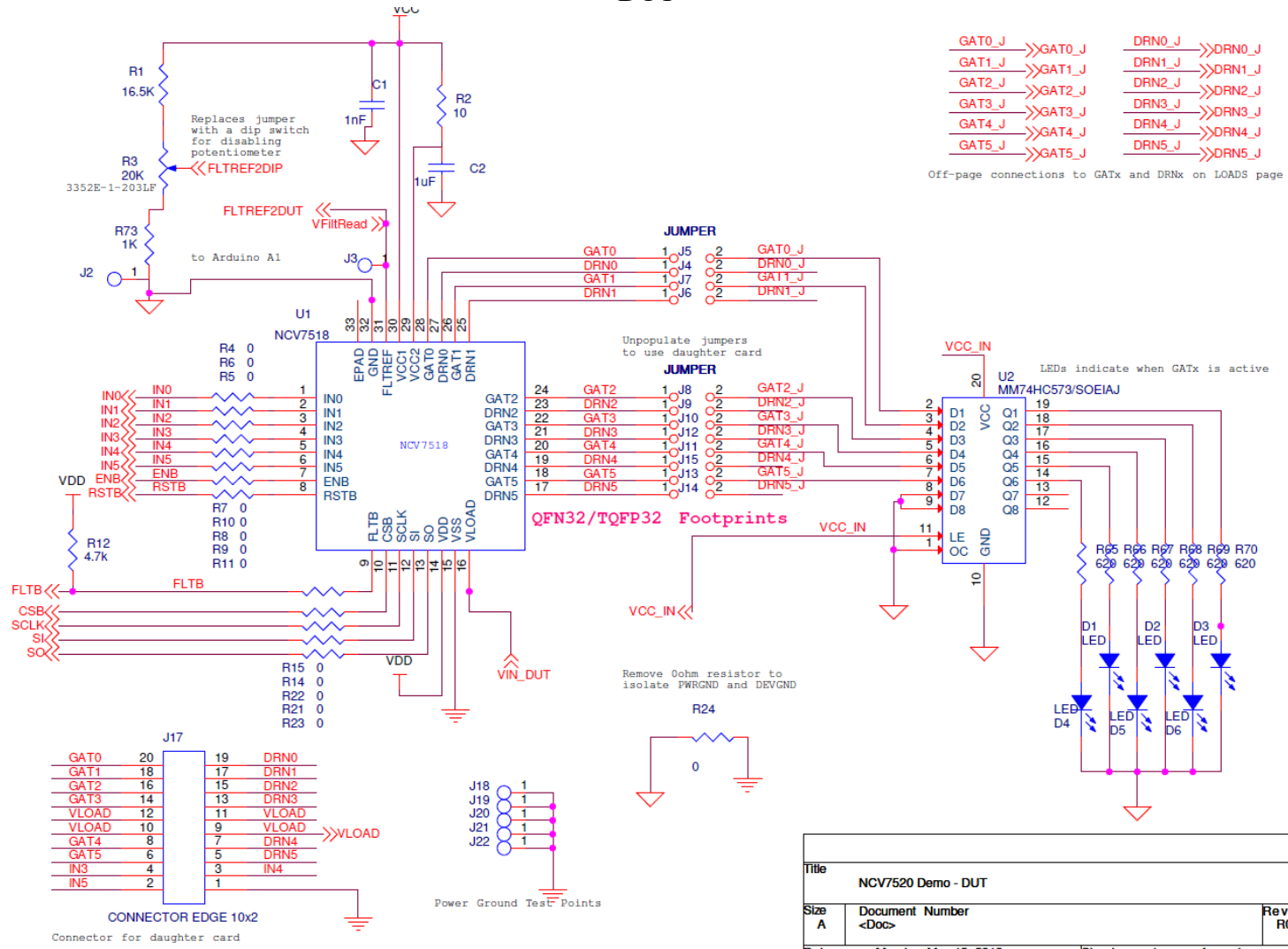


Title		
NCV7520 Demo - Power		
Size	Document Number	Rev
A	<Doc>	R0
Date:	Monday, May 13, 2019	Sheet 4 of 4



Schematic for the NCV7520GEVB Evaluation Board

DUT



Title		
NCV7520 Demo - DUT		
Size	Document Number	Rev
A	<Doc>	R0
Date:	Mondav, May 13, 2019	Sheet 1 of 4