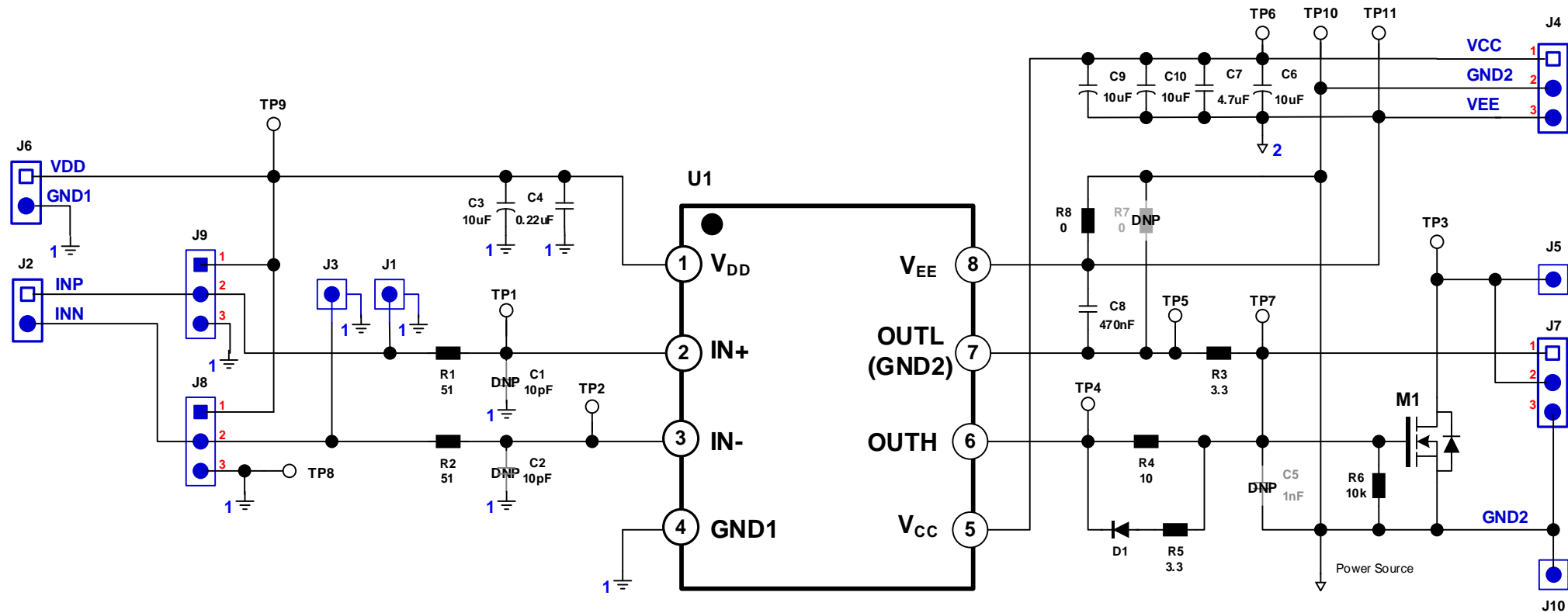


EVBUM2872 – NCP51152 Evaluation Board

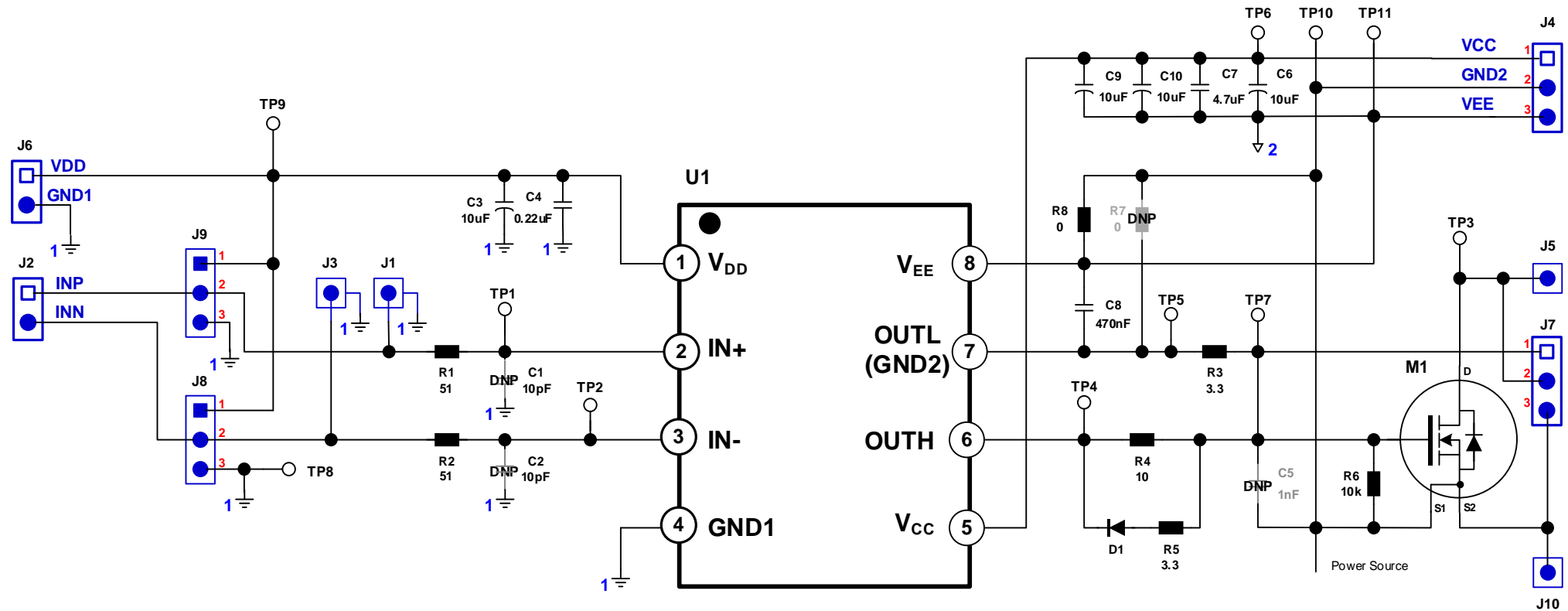
NCP51152 EVB Schematics for Type-A, and B

EVBUM2872 - Type-A EVB Schematic for TO-247-3L, and D2PAK



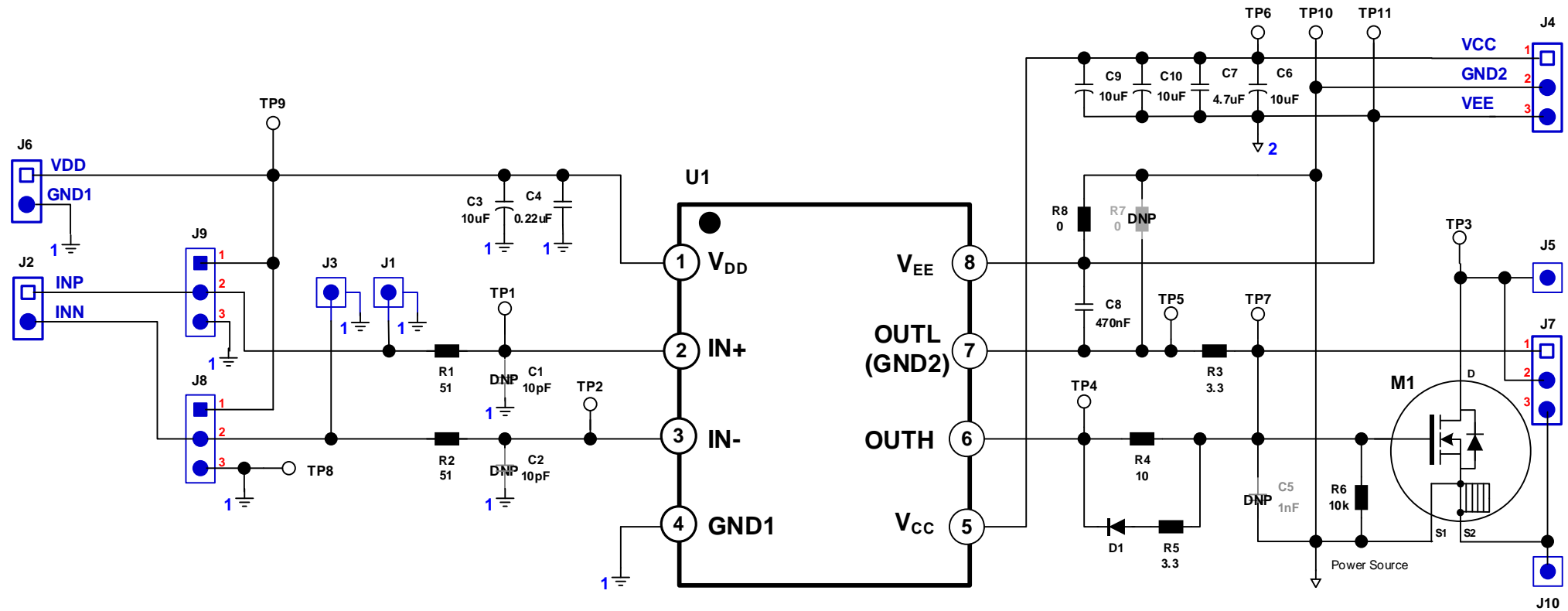
Type	Pin 7	R3	R5	R7	R8	C8
NCP51152xA	OUTL	3.3Ω	DNP	DNP	0Ω	DNP
NCP51152xB	GND2	DNP	3.3Ω	0Ω	DNP	470nF

EVBUM2872 - Type-B EVB Schematic for TO247-4L



Type	Pin 7	R3	R5	R7	R8	C8
NCP51152xA	OUTL	3.3Ω	DNP	DNP	0Ω	DNP
NCP51152xB	GND2	DNP	3.3Ω	0Ω	DNP	470nF

EVBUM2872 - Type-C EVB Schematic for D2PAK-7L



Type	Pin 7	R3	R5	R7	R8	C8
NCP51152xA	OUTL	3.3Ω	DNP	DNP	0Ω	DNP
NCP51152xB	GND2	DNP	3.3Ω	0Ω	DNP	470nF

onsemiTM

Intelligent Technology. Better Future.

Follow Us @onsemi



www.onsemi