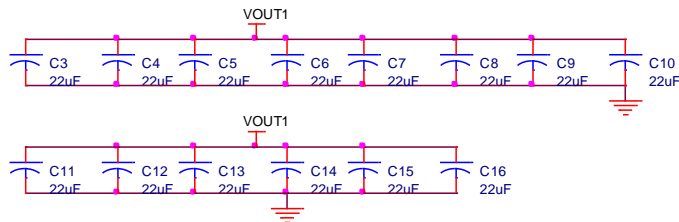
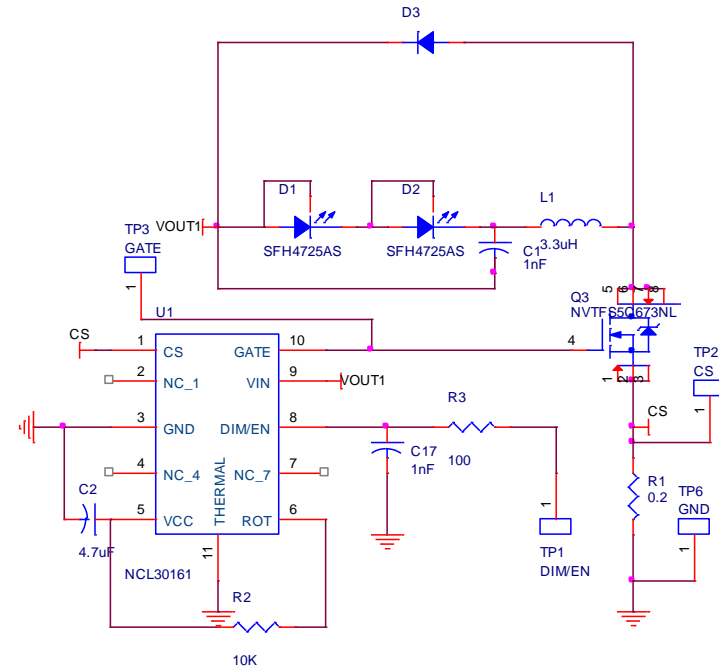
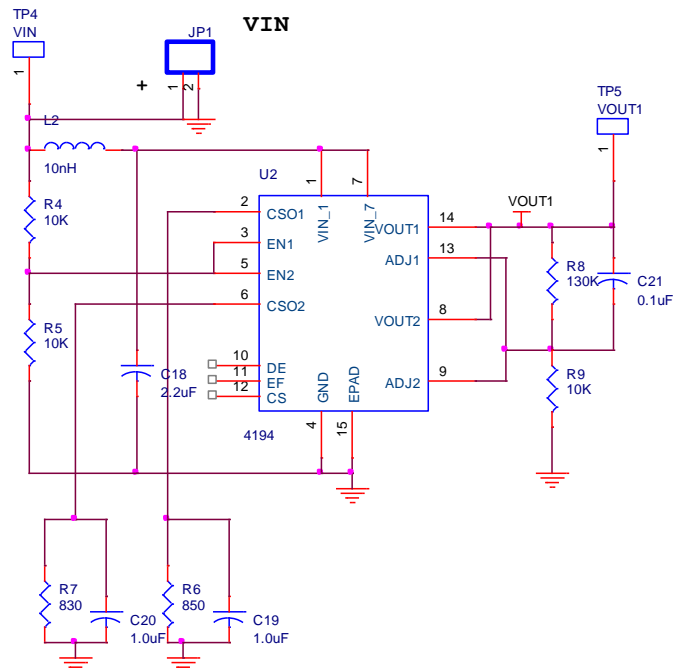


Schematic for the NCV30161GEVB Evaluation Board



| | | |
|----------------|------------------|-----|
| Title | | |
| NCV30161 Board | | |
| Size | Document Number | Rev |
| A | EVAL_BOARD_ONWEB | 2 |
| Date: | Sheet 1 of 1 | |