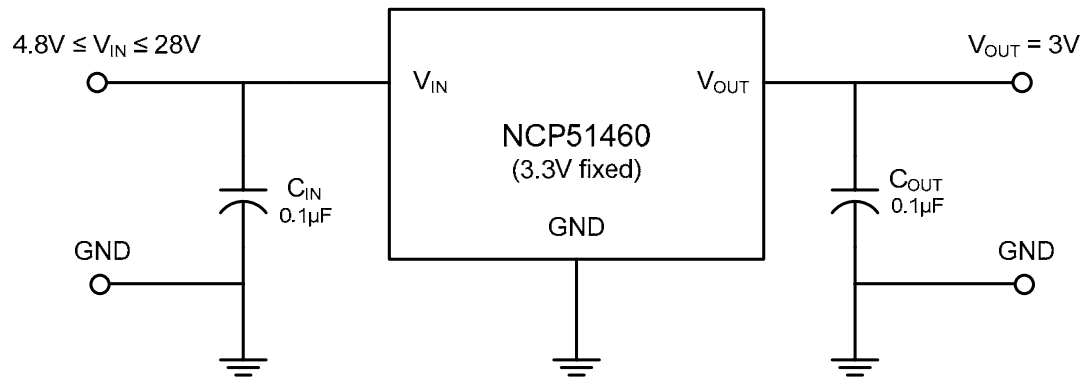




Schematic for the NCP51460SN33GEVB LDO Evaluation Board



NCP51460, 20mA, Fixed Output Voltage LDO Schematic View