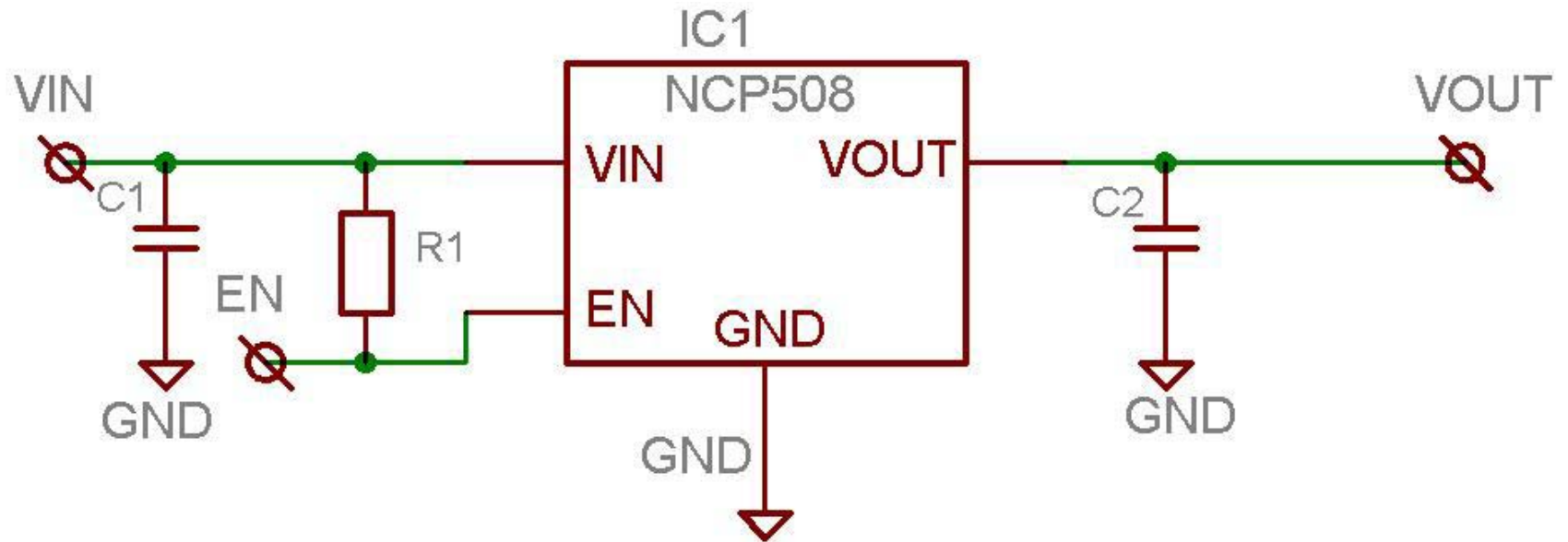


Schematic for the NCP508, 50mA, Fixed Output Voltage

ON Semiconductor®



NCP508, 50mA, Fixed Output Voltage LDO Schematic View