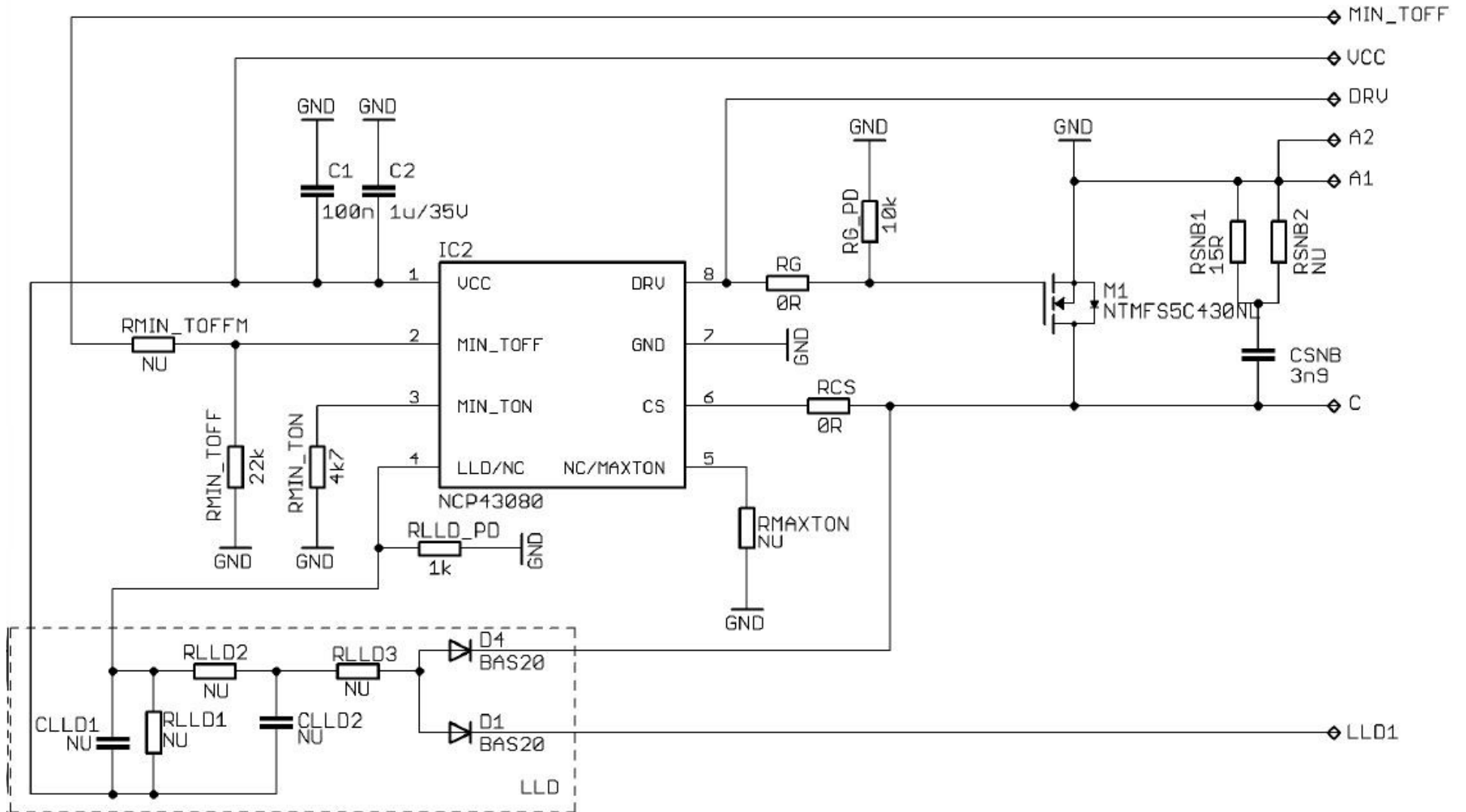


Schematic for the NCP43080LLCGEVB Evaluation Board



ON Semiconductor®

