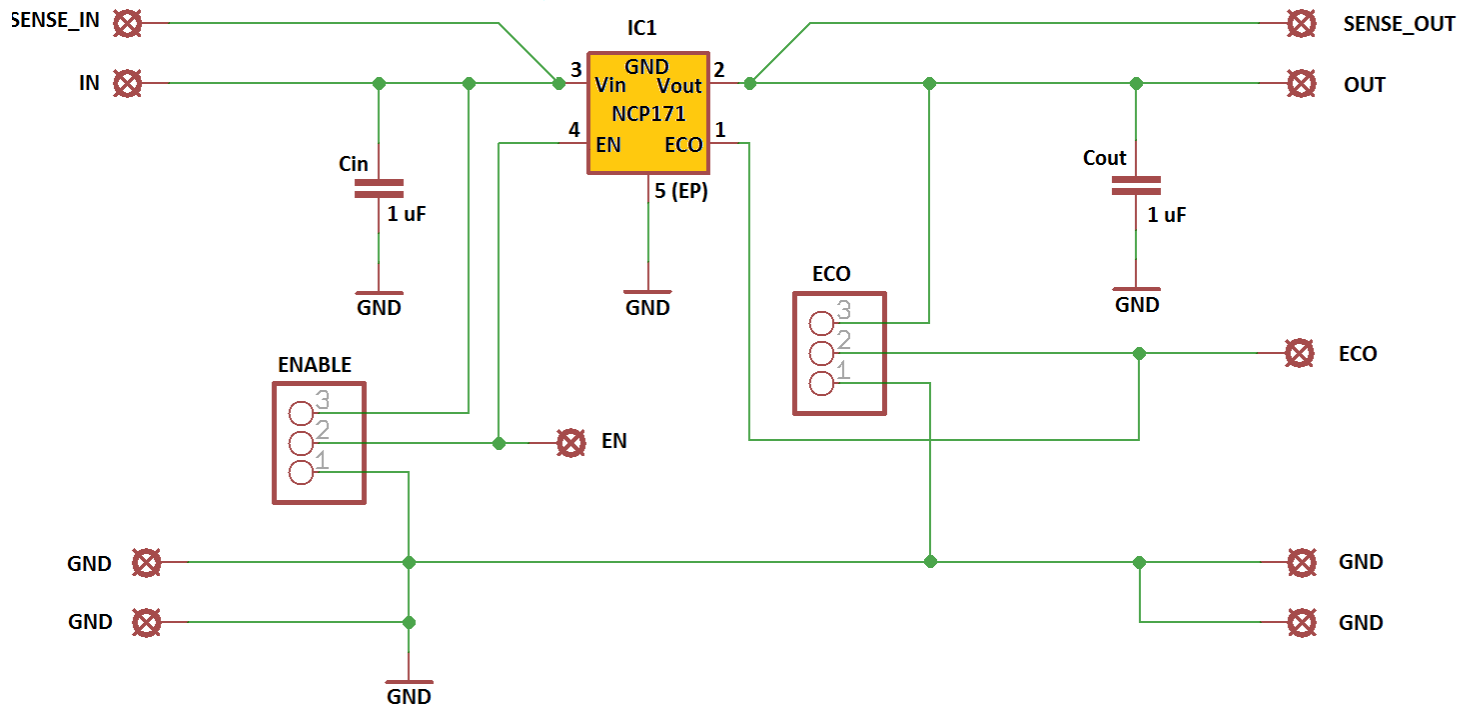




ON Semiconductor

Schematic for the NCP171AMX180175TCG LDO Demoboard



Programming I/F

